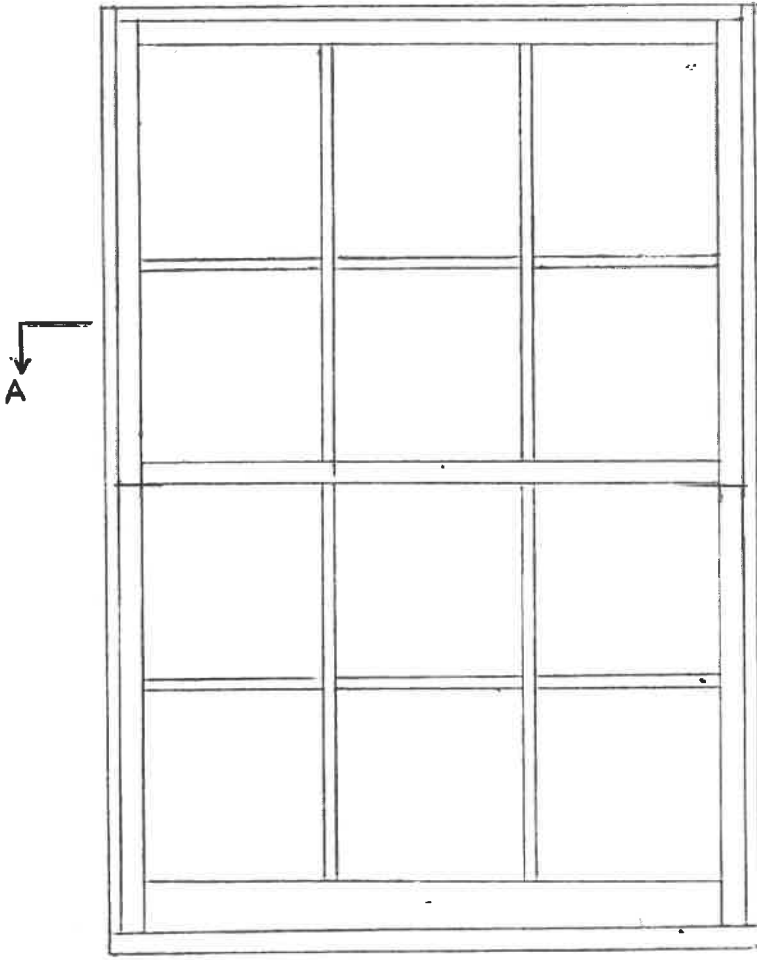
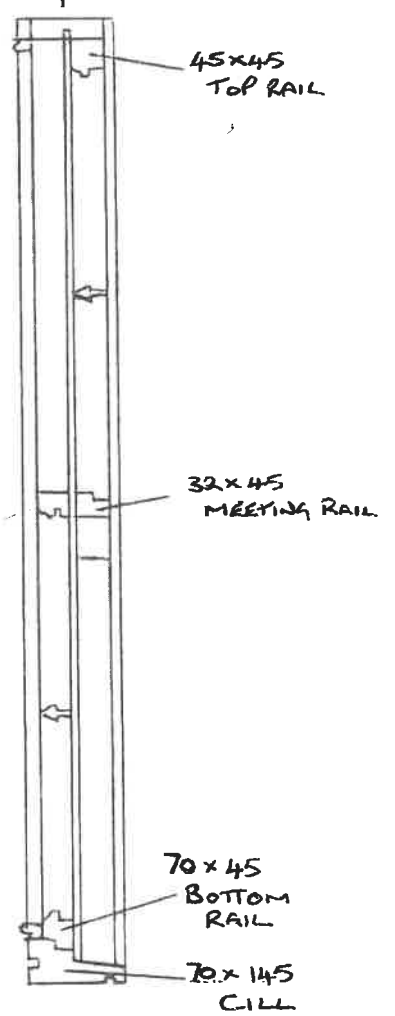


900

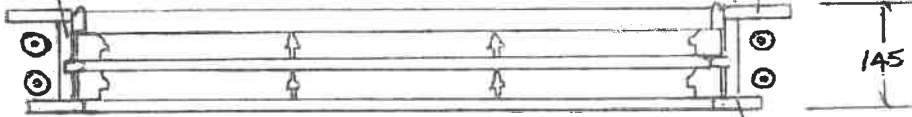


To SUIT EXISTING OPENING



25x113 Pulley STILE

16x95 INSIDE LINING

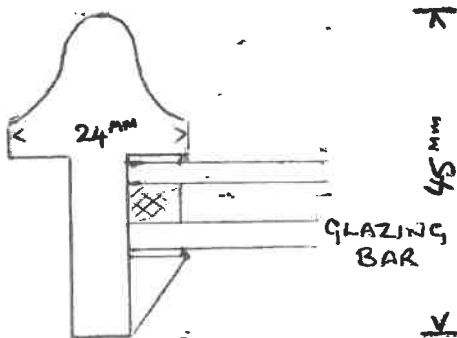


SECTION A-A

16x70 OUTSIDE LINING

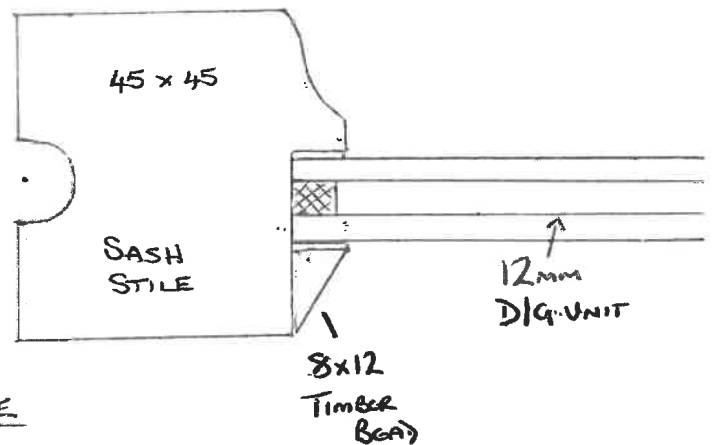
SCALE 1:10

24x45 BAR



GLAZING BAR

FULL SIZE



45x45

SASH STILE

8x12 Timber Beam

12mm DIA. UNIT