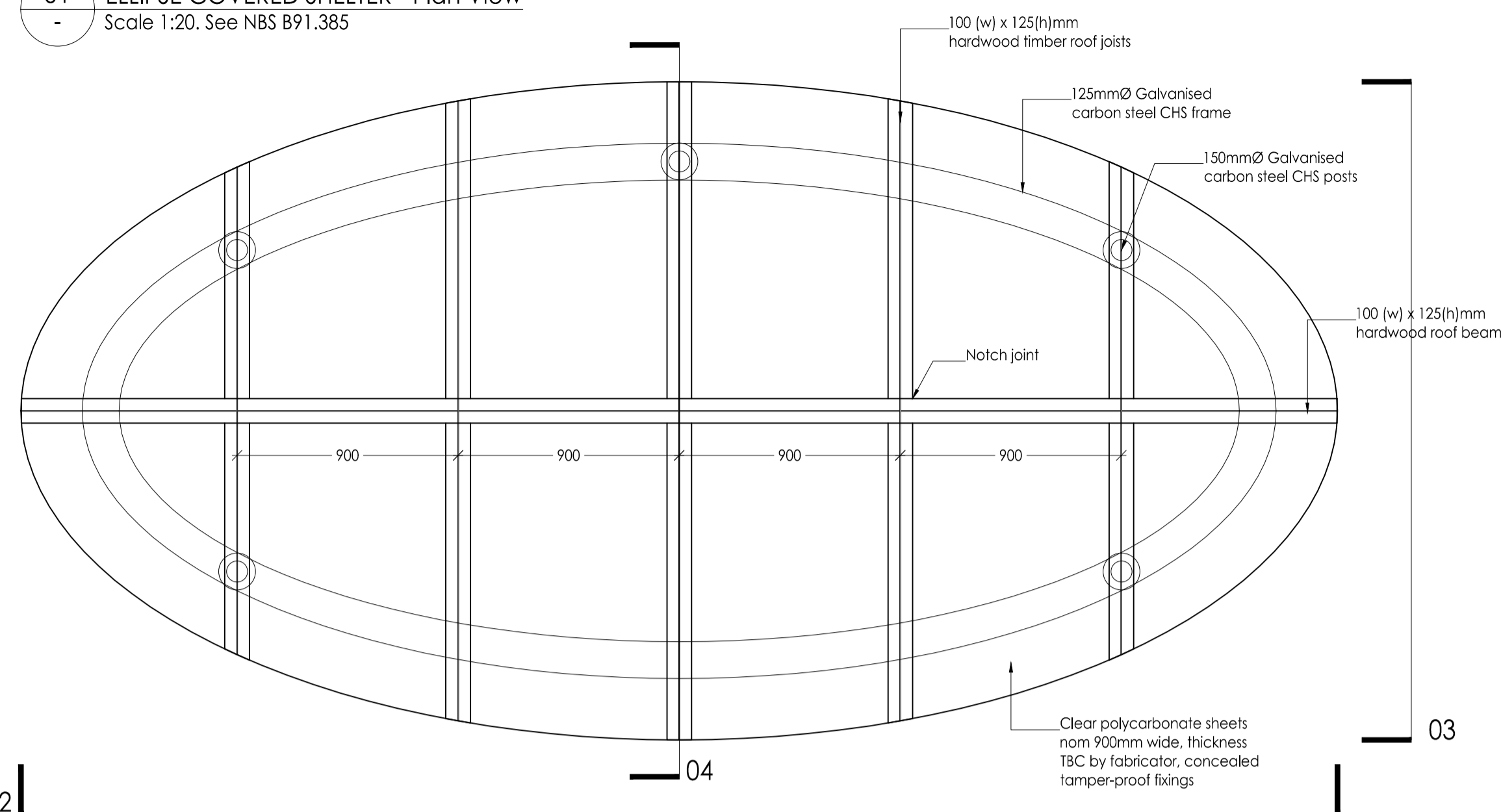
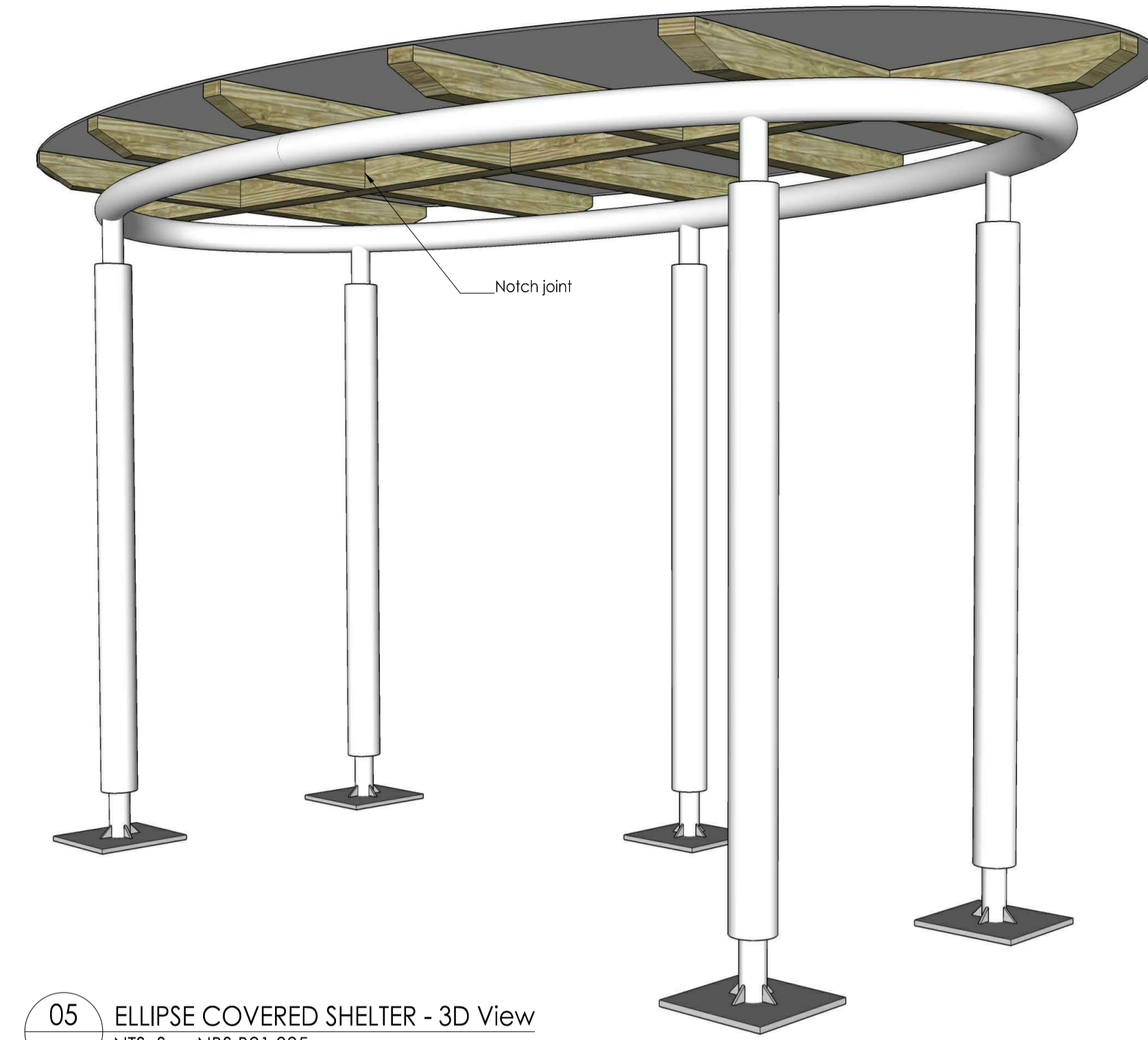


01 ELLIPSE COVERED SHELTER - Plan View
Scale 1:20. See NBS B91.385



Galvanised carbon steel posts and ellipse frame powder coated white (colour TBC)

Galvanised carbon steel posts and ellipse frame powder coated white (colour TBC)



05 ELLIPSE COVERED SHELTER - 3D View
NTS. See NBS B91.385

NOTES:

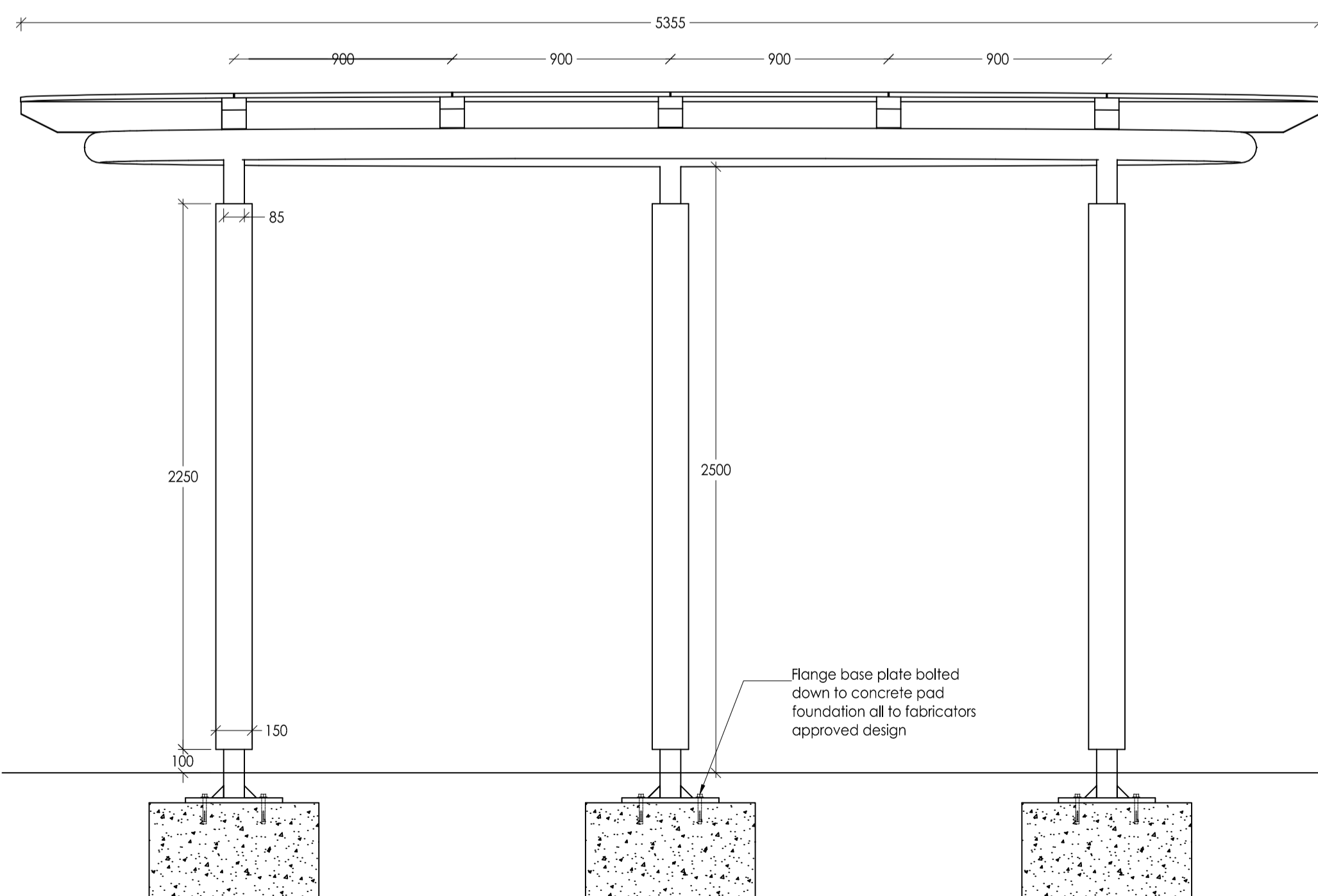
DO NOT SCALE. Use figured dimensions only. The contractor is requested to check all dimensions before the work is put in hand. Copyright of this drawing belongs solely to Iteriad Ltd ©. This drawing must only be used for the purpose for which it is supplied and its contents must not be reproduced for any purpose without written permission. Areas indicated, or areas calculated from this drawing should be used for valuation purposes or as the basis for development contracts. Iteriad Ltd is a limited liability company registered in England and Wales. Number 7966573

Notes:
This is a design intent drawing for costing only.

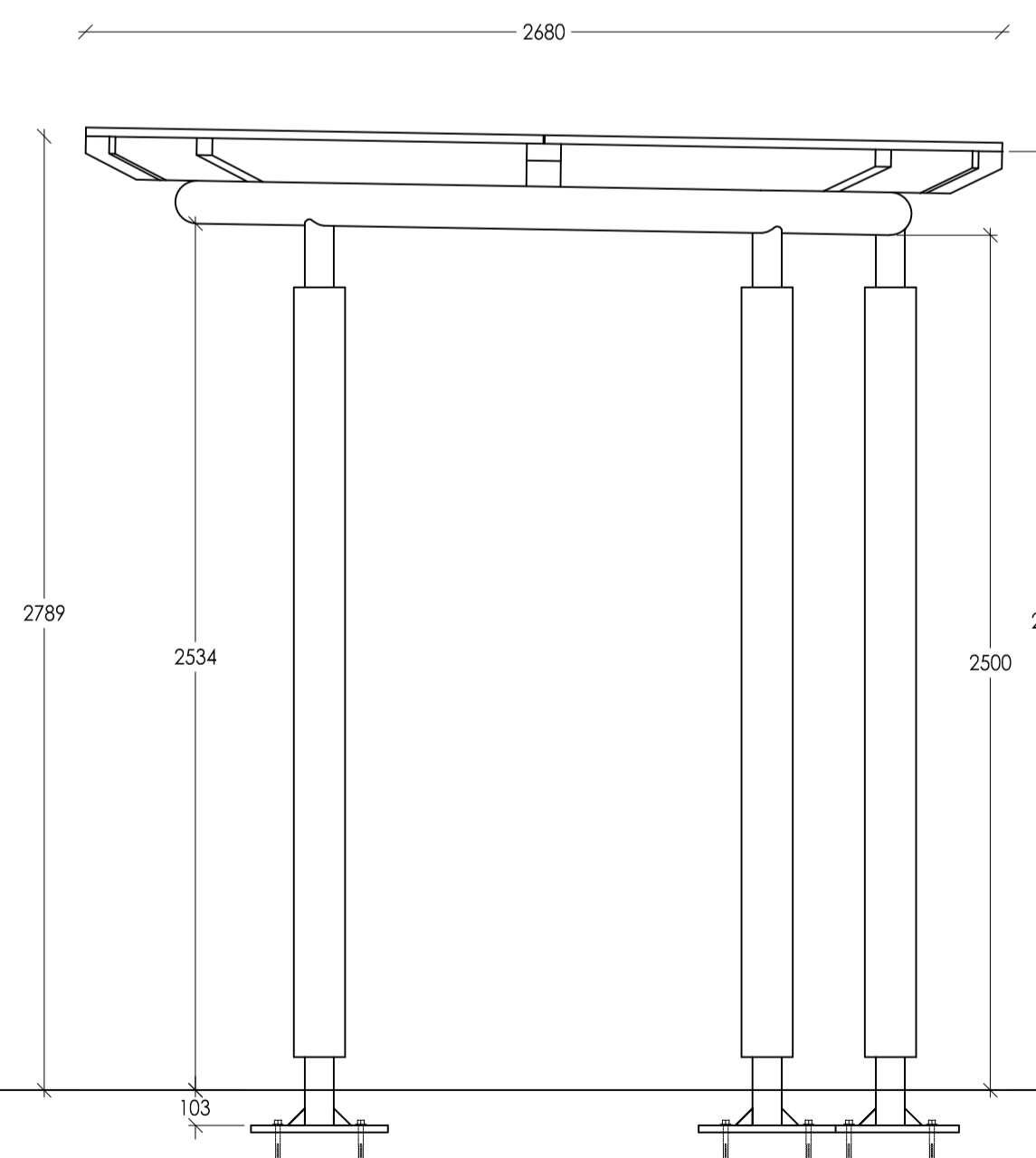
Manufacturer to provide final design & full set of shop drawings for approval, with consultation/input from Landscape Architect regarding finishes & final dimensions.

Dimensions shown are desired but subject to cost analysis with manufacturer

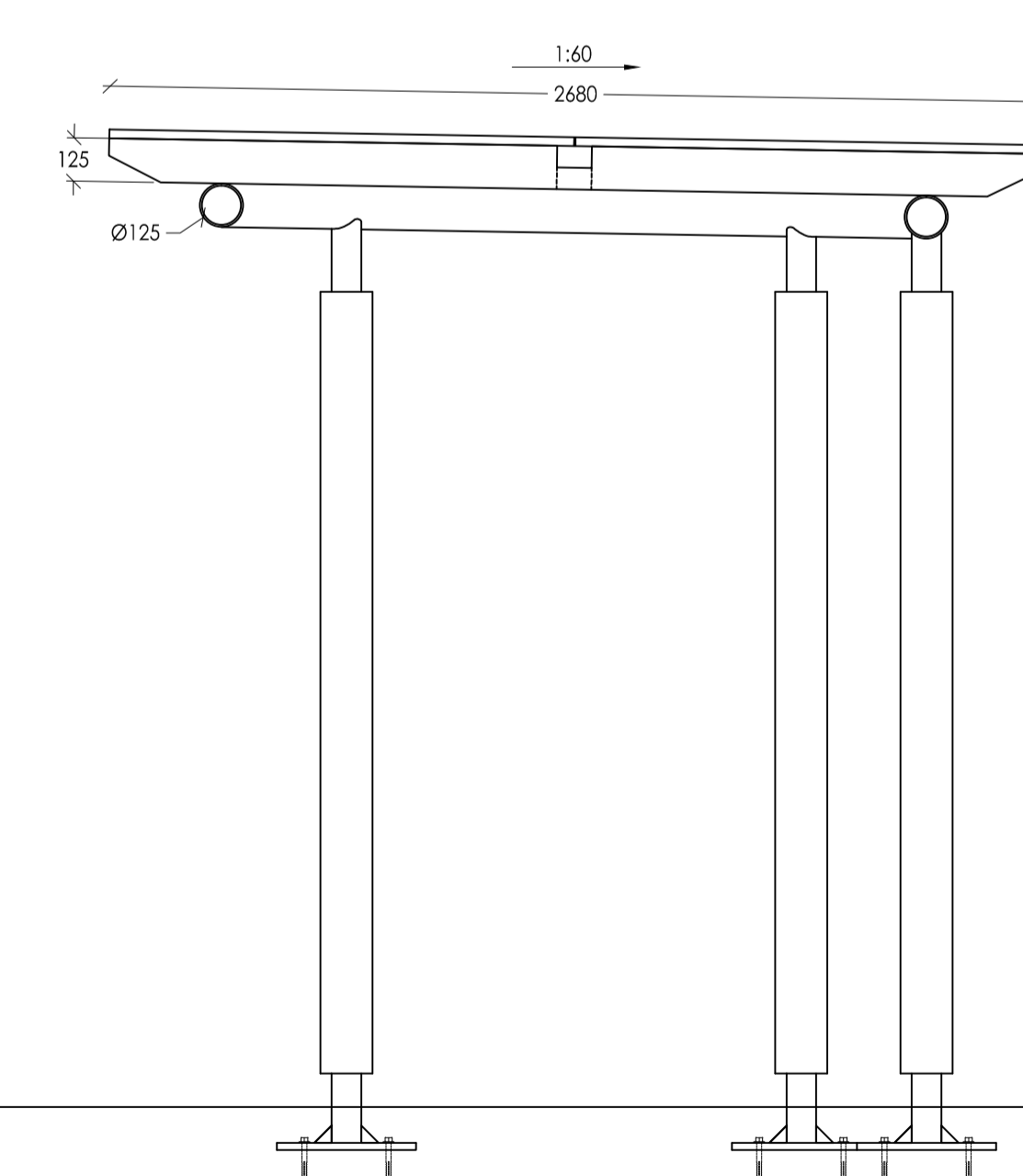
Notes
All steel framework to be Galvanised Carbon steel, as NBS section G12. Powder coated RAL White tbc.
CHS wall thickness to fabricators specification.
Flange plate & ground fixing to fabricators design with approved structural calculations
All metal fixings to be stainless steel & tamper proof & concealed where necessary
All timber to be FSC certified hardwood
Polycarbonate roof to be supplied in panels with concealed fixings for glazing panel replacement if necessary
Rear gutter detail to be provided by supplier for approval



02 ELLIPSE COVERED SHELTER - Front Elevation
Scale 1:20. See NBS B91.385



03 ELLIPSE COVERED SHELTER - Side Elevation
Scale 1:20. See NBS B91.385



04 ELLIPSE COVERED SHELTER - Section Elevation
Scale 1:20. See NBS B91.385

P02	Drawing status changed to S4	AP	KH	07.04.22
P01	First Issue	AP	KH	13.08.21

REV	DETAILS	DRAWN BY	CHECKED BY	CHECKED DATE
-----	---------	----------	------------	--------------

CLIENT
North Cumbria Integrated Care NHS Foundation Trust

MASTERPLANNERS/LANDSCAPE ARCHITECTS
(iteriad)
Studio
2 Cragwood Cottages,
Ecclelsgate,
Windermere,
Cumbria
LA23 1JG
T: (+44) 15394 43018
E: studio@iteriad.com
W: www.iteriad.com

PROJECT TITLE
West Cumberland Hospital Phases 2

DRAWING TITLE
**GROUND FLOOR LEVEL
Ellipse Covered Shelter
Design Intent Drawing**

SCALE DRAWN BY DATE
1:20@A1 AP 13.08.21

PURPOSE STATUS
For Approval S4

JOB/DRAWING NUMBER REVISION
WCHPH2-ITR-00-XX-DR-L-0103 P02