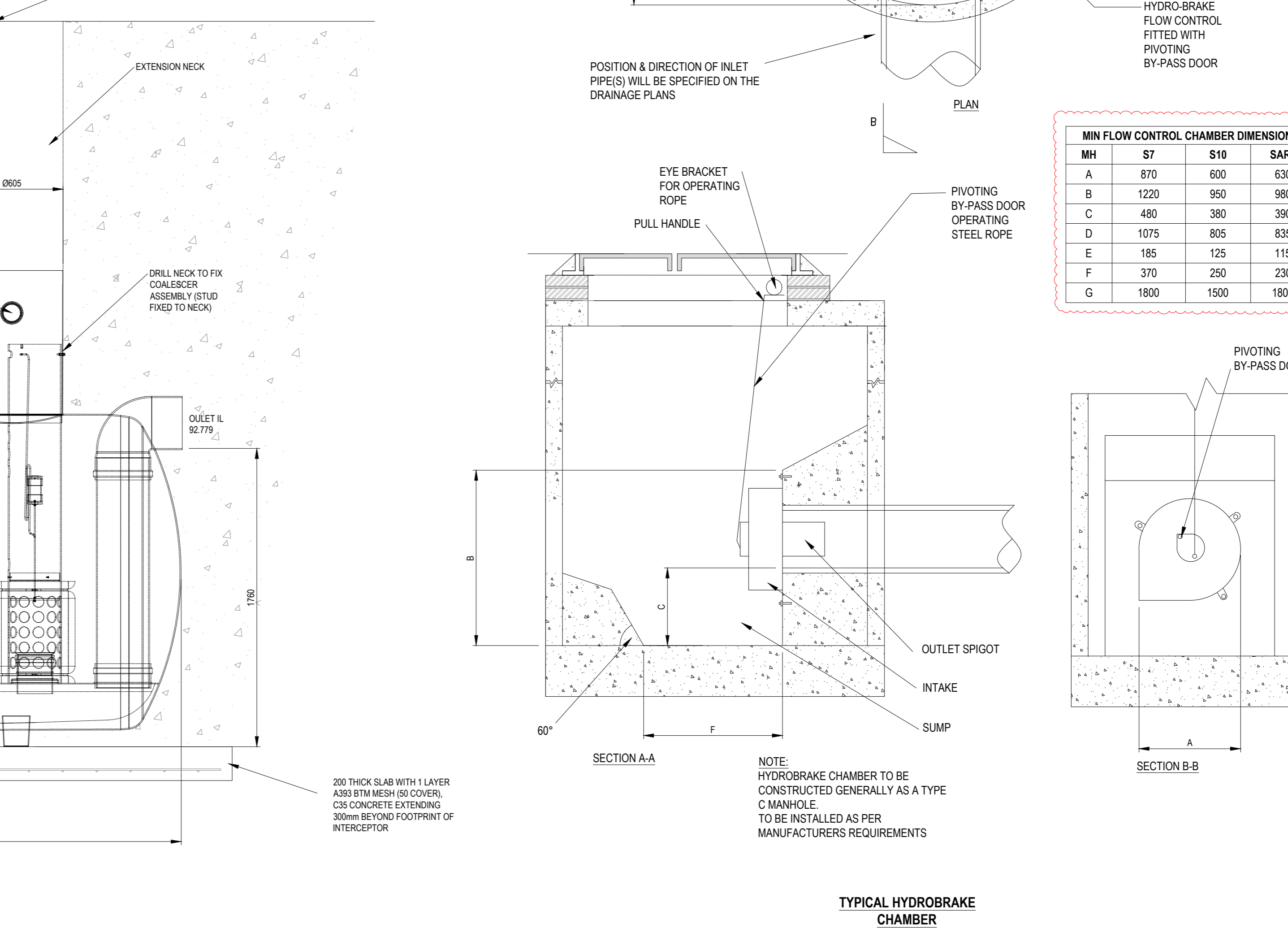
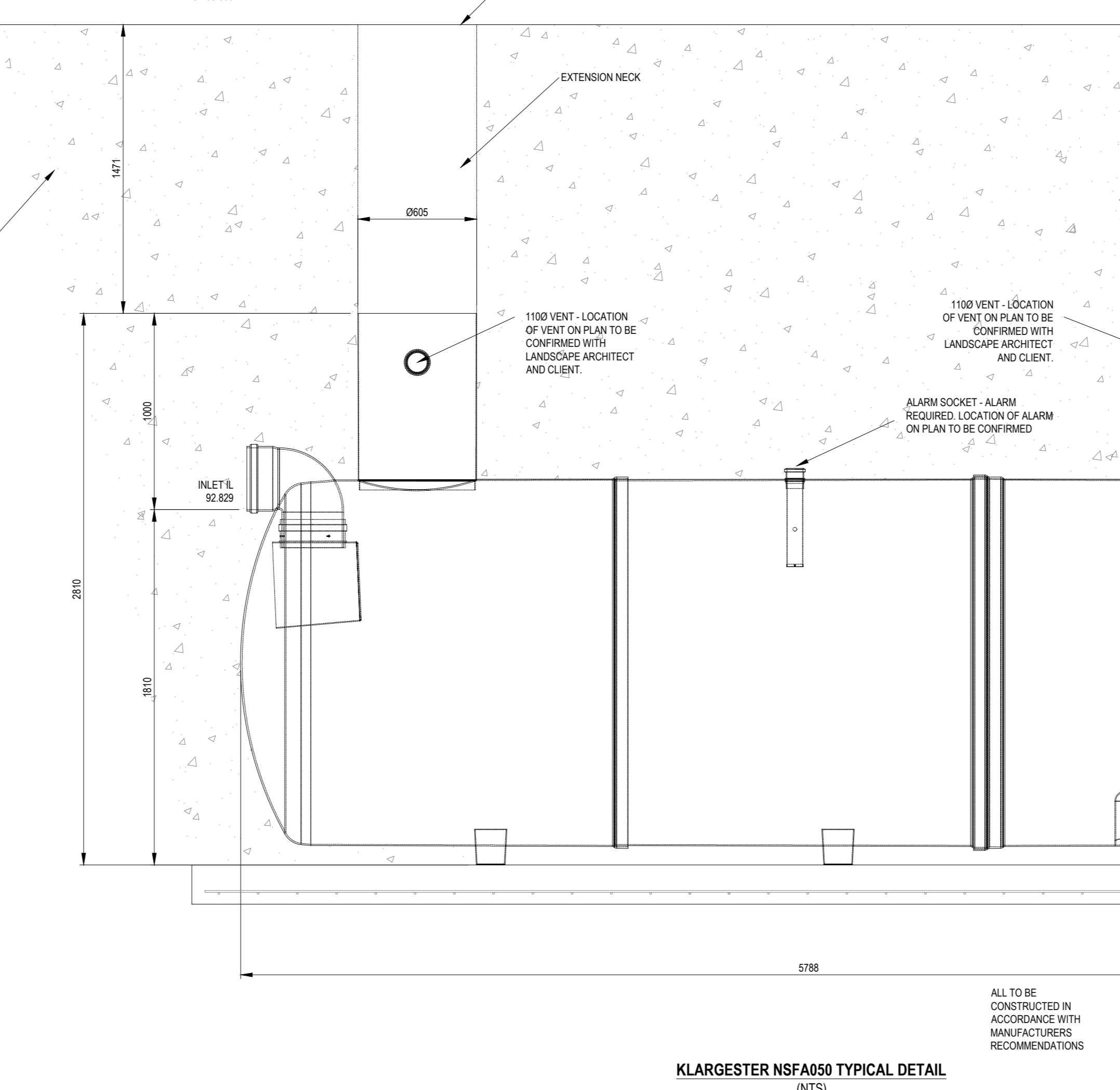
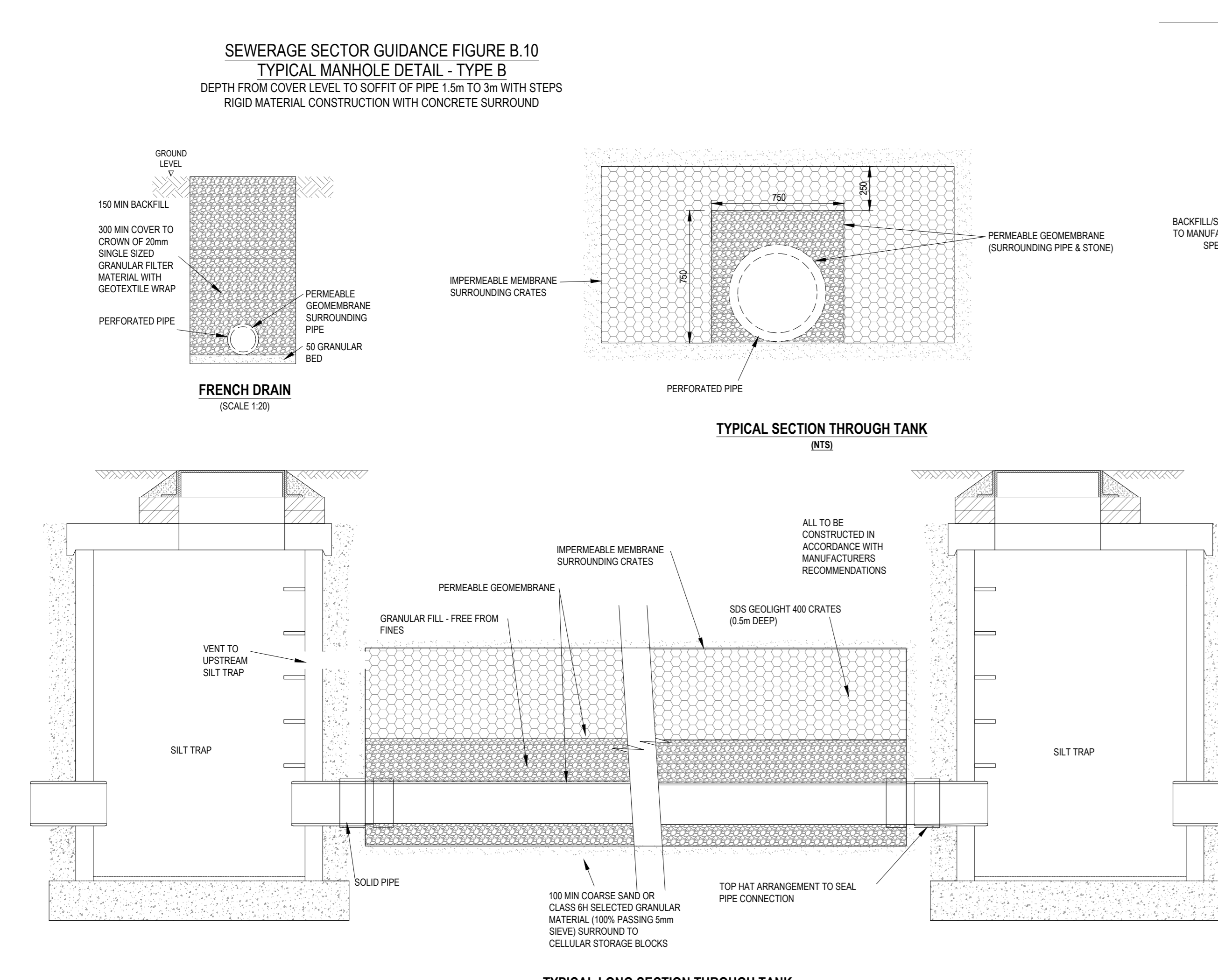
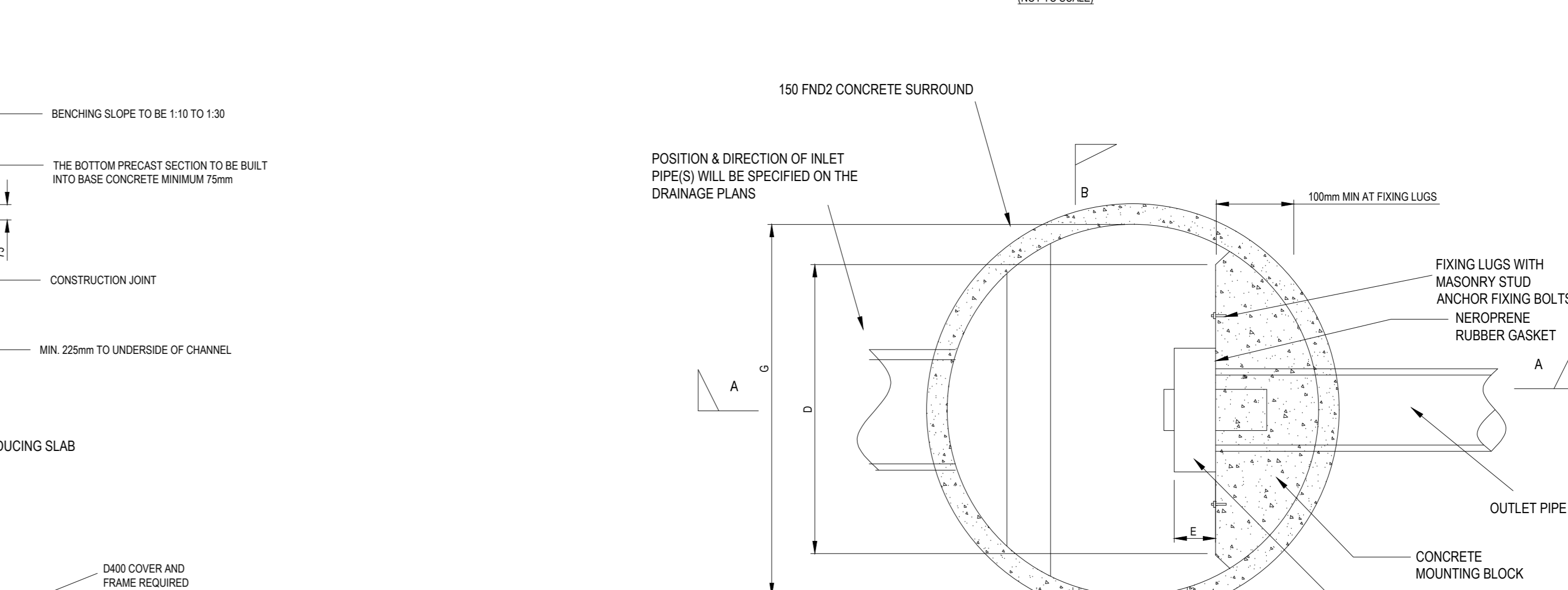
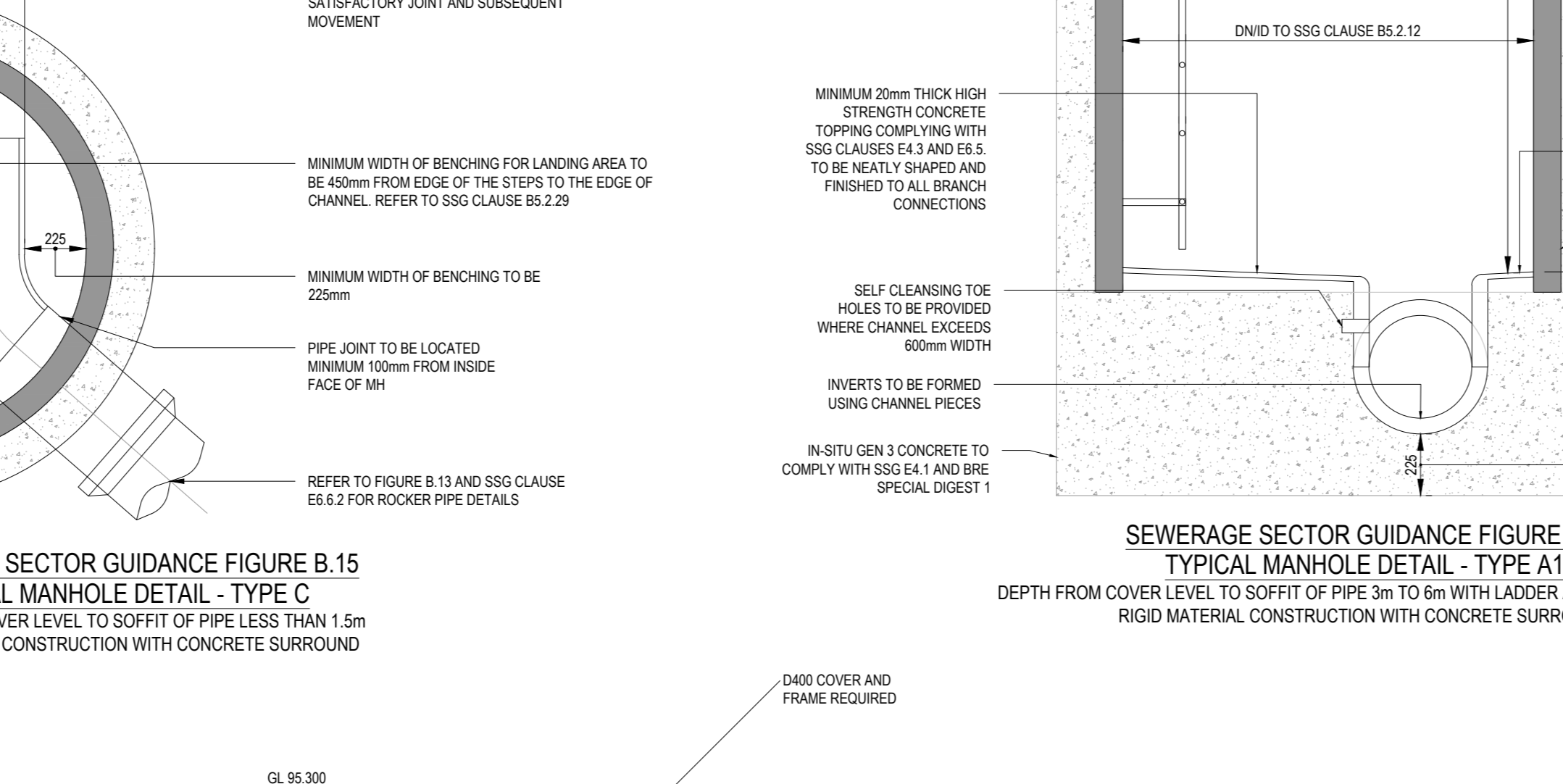
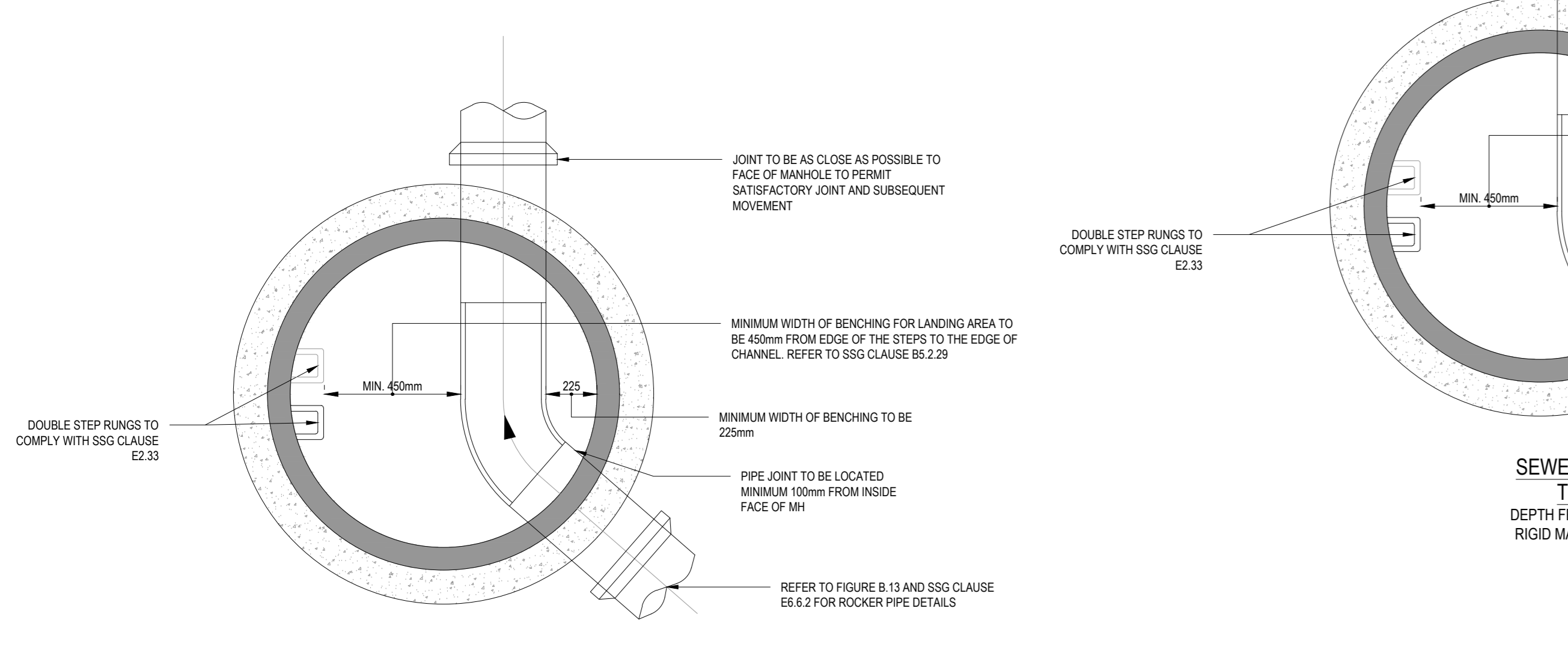
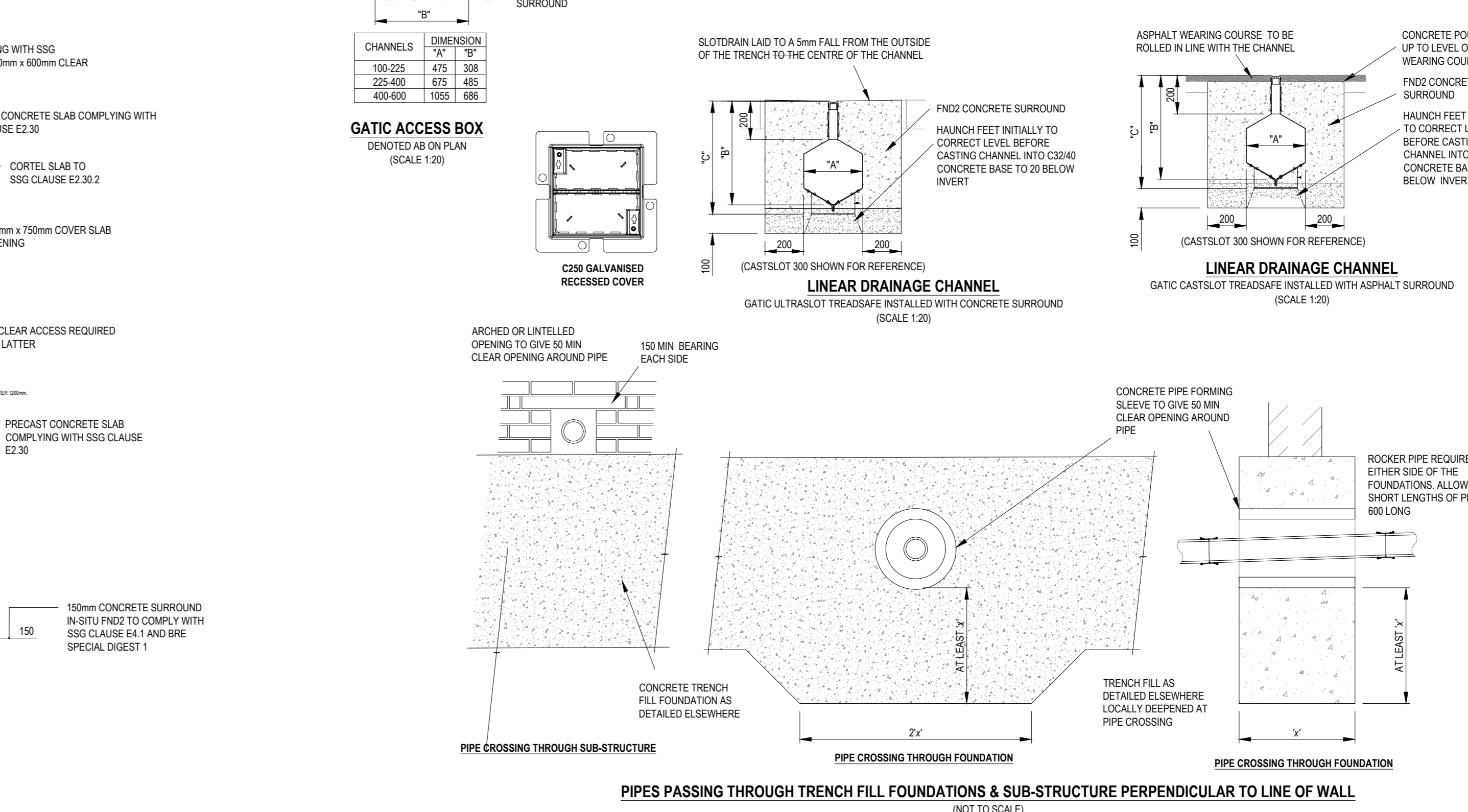
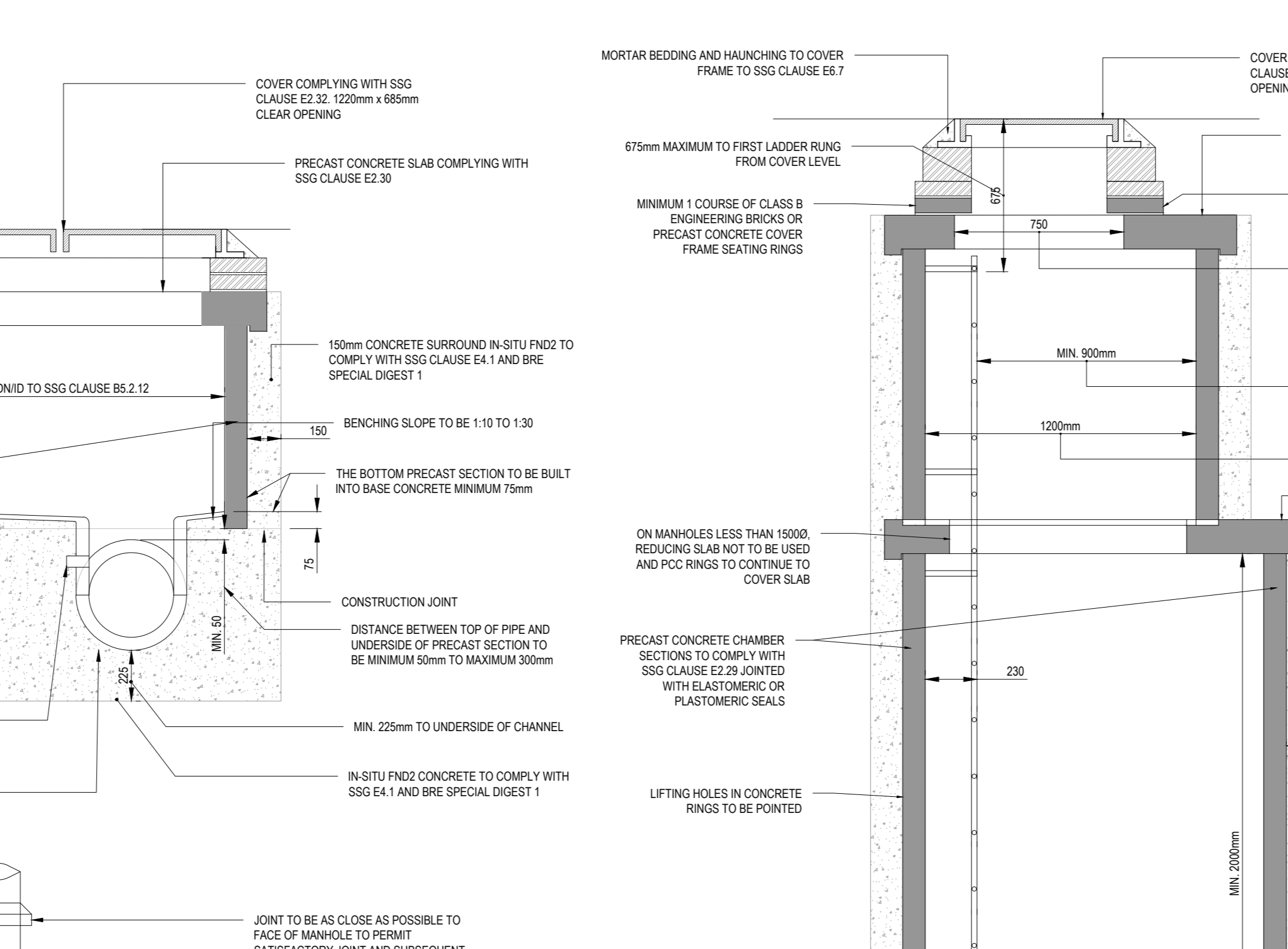
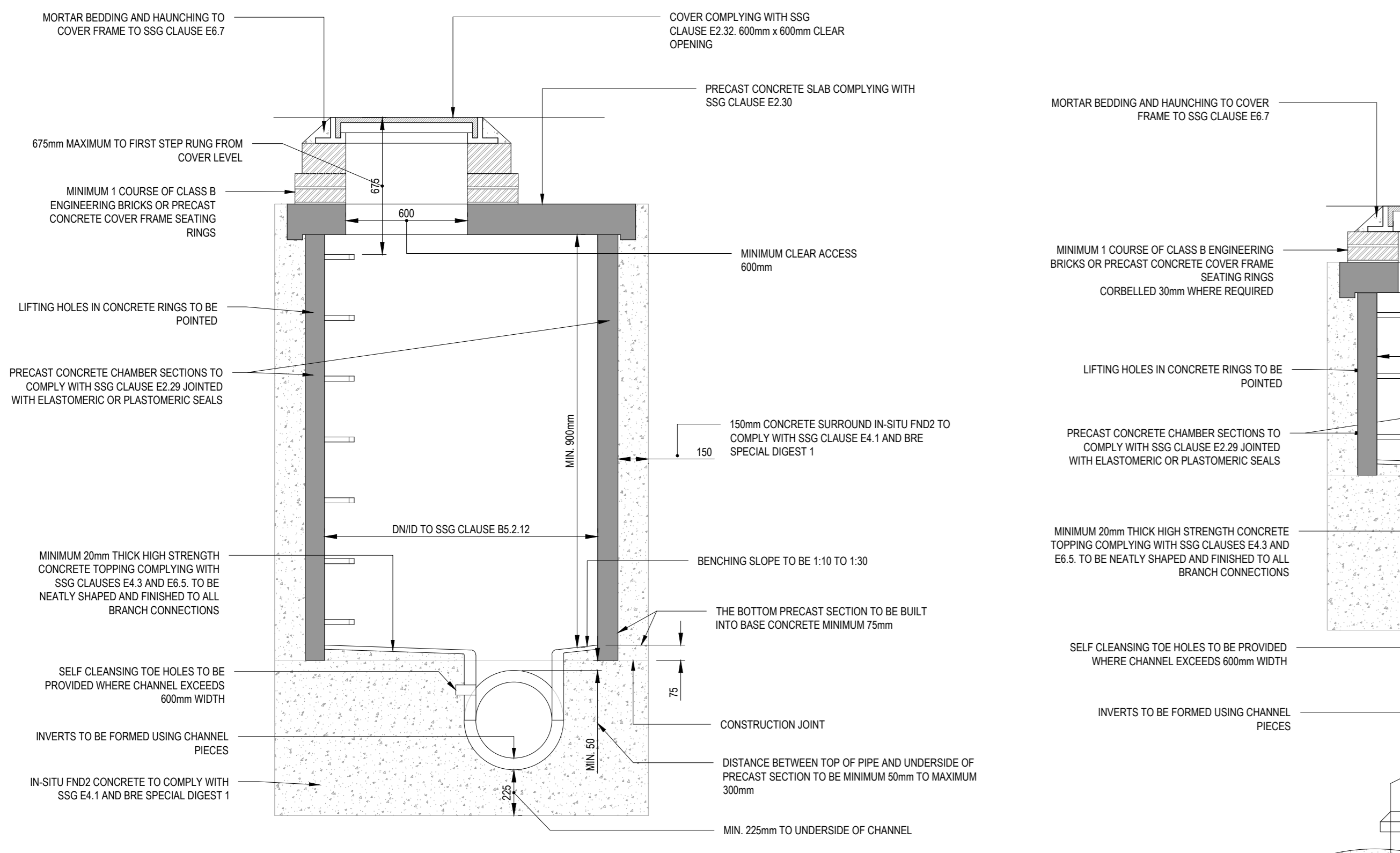
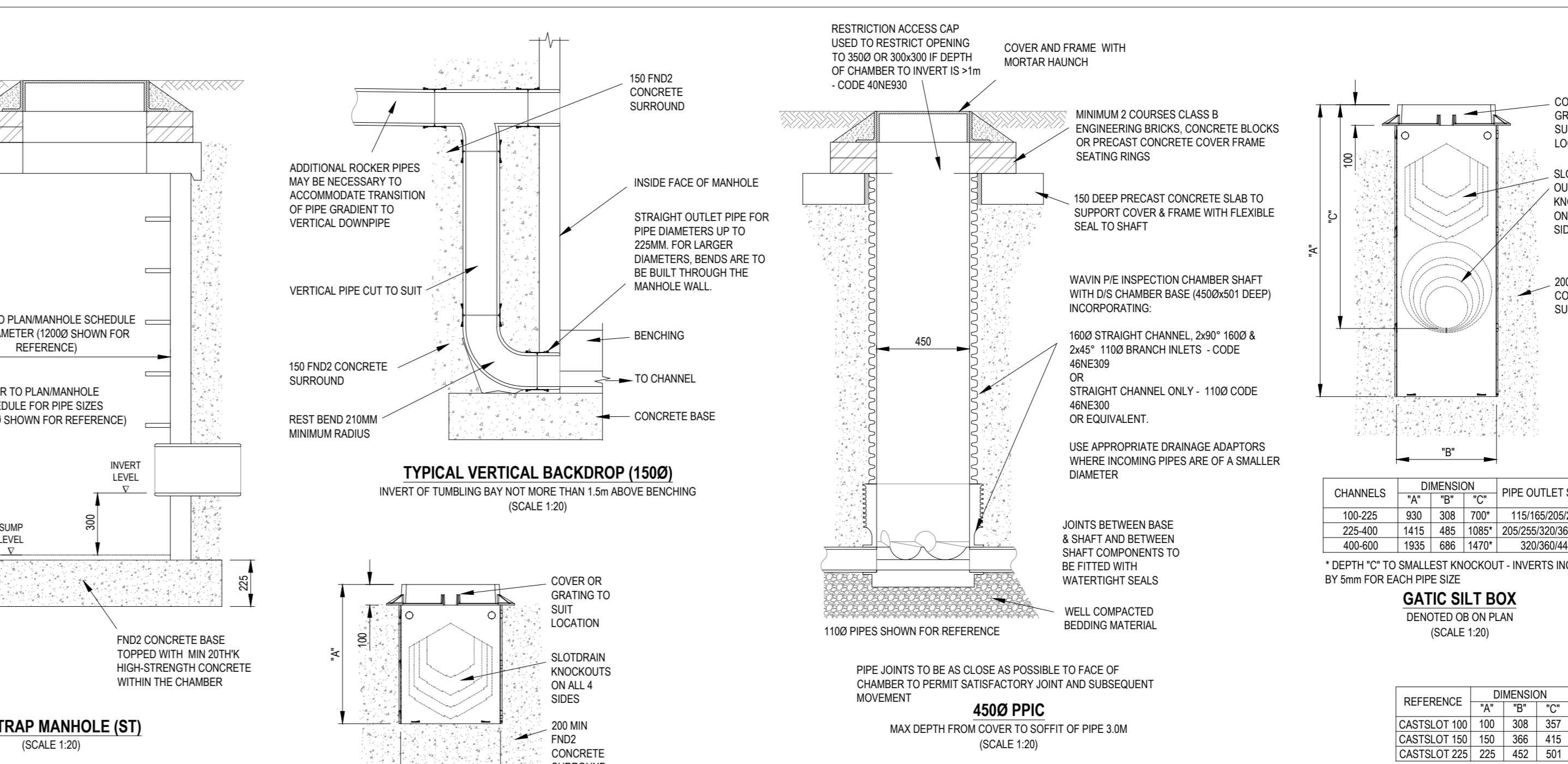
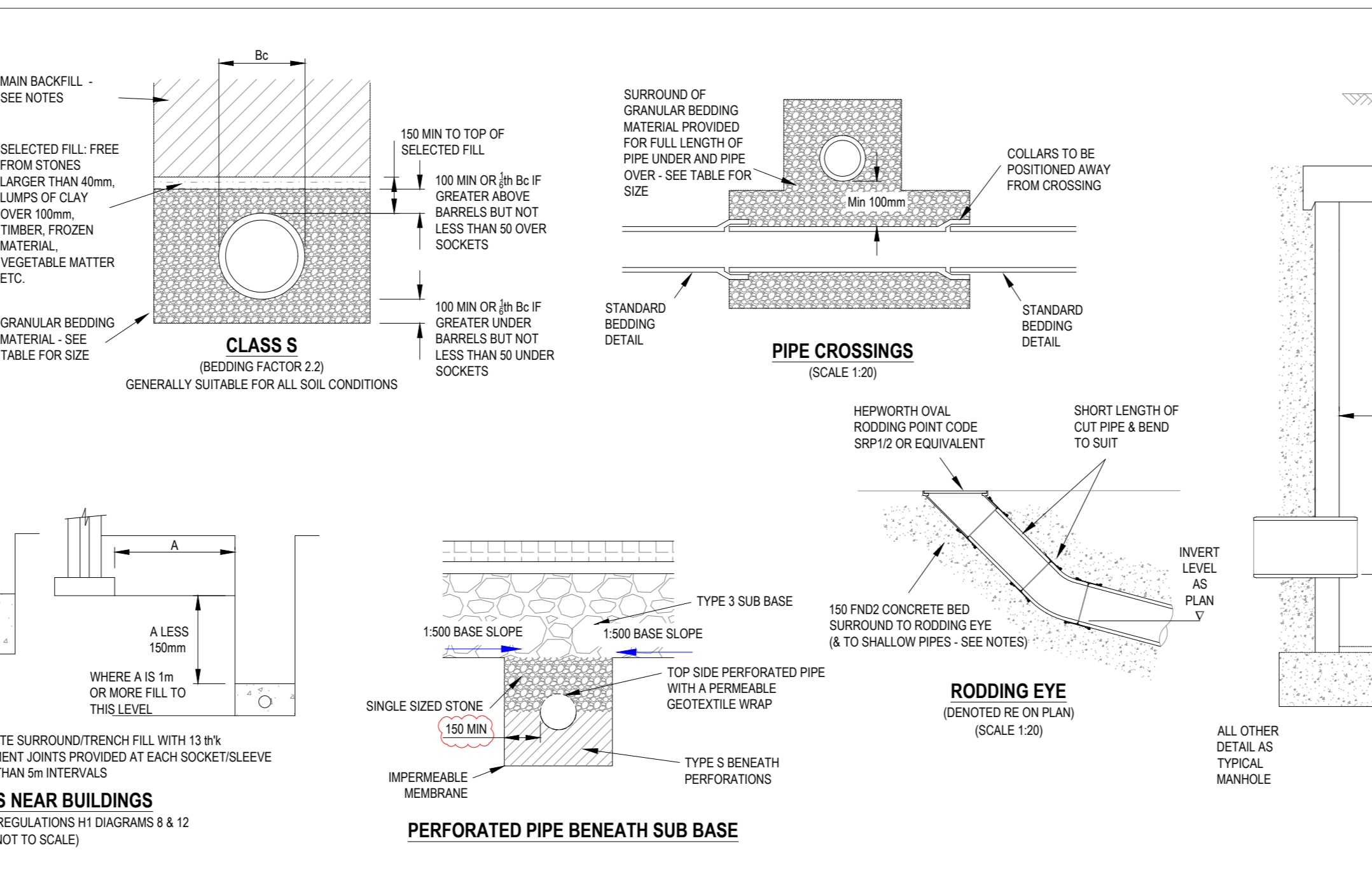
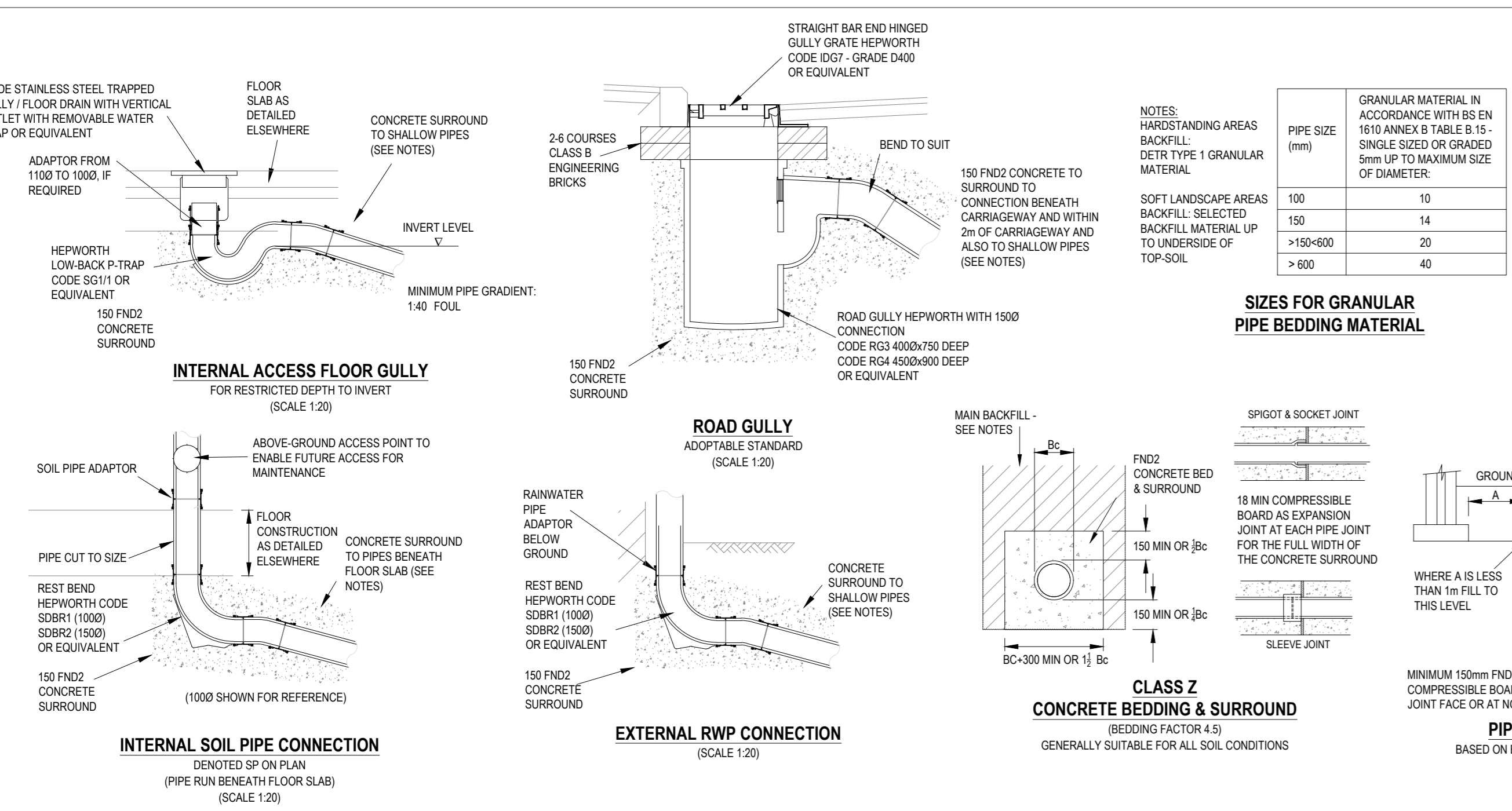


GENERAL NOTES:

- THIS DRAWING IS TO BE USED IN CONJUNCTION WITH ALL RELEVANT ARCHITECTS AND ENGINEERS DRAWINGS AND SPECIFICATIONS.
- DO NOT SCALE THIS DRAWING. ANY AMBIGUITIES, OMISSIONS AND ERRORS ON DRAWINGS SHALL BE BROUGHT TO THE ENGINEERS ATTENTION IMMEDIATELY. ALL DIMENSIONS MUST BE CHECKED / VERIFIED ON SITE.
- ALL DIMENSIONS ARE IN MILLIMETRES UNLESS NOTED OTHERWISE.



MIN FLOW CONTROL CHAMBER DIMENSIONS	MM	FT	SAR
A	870	600	630
B	1220	950	980
C	480	380	390
D	1075	805	835
E	185	125	115
F	370	290	230
G	1800	1500	1800

CONSTRUCTION ISSUE

GRAHAM

WEST CUMBERLAND HOSPITAL PHASE 2 DEVELOPMENT

DRAINAGE DETAILS

Project No	Size	Date	Drawn By	Designed By	Checked By
072419	A0	MAY 21	DM	DM	PT