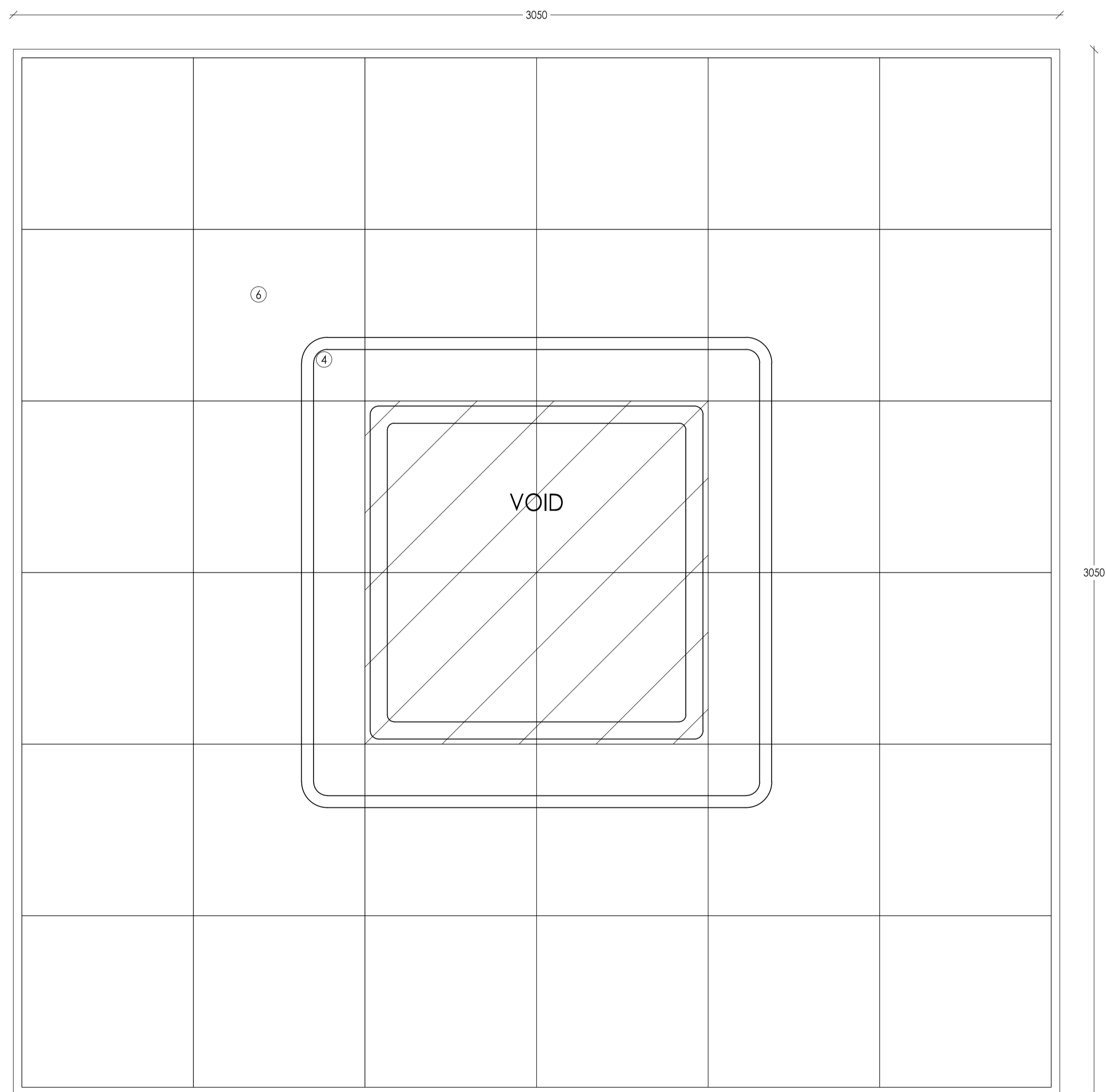


LABELLED ITEMS

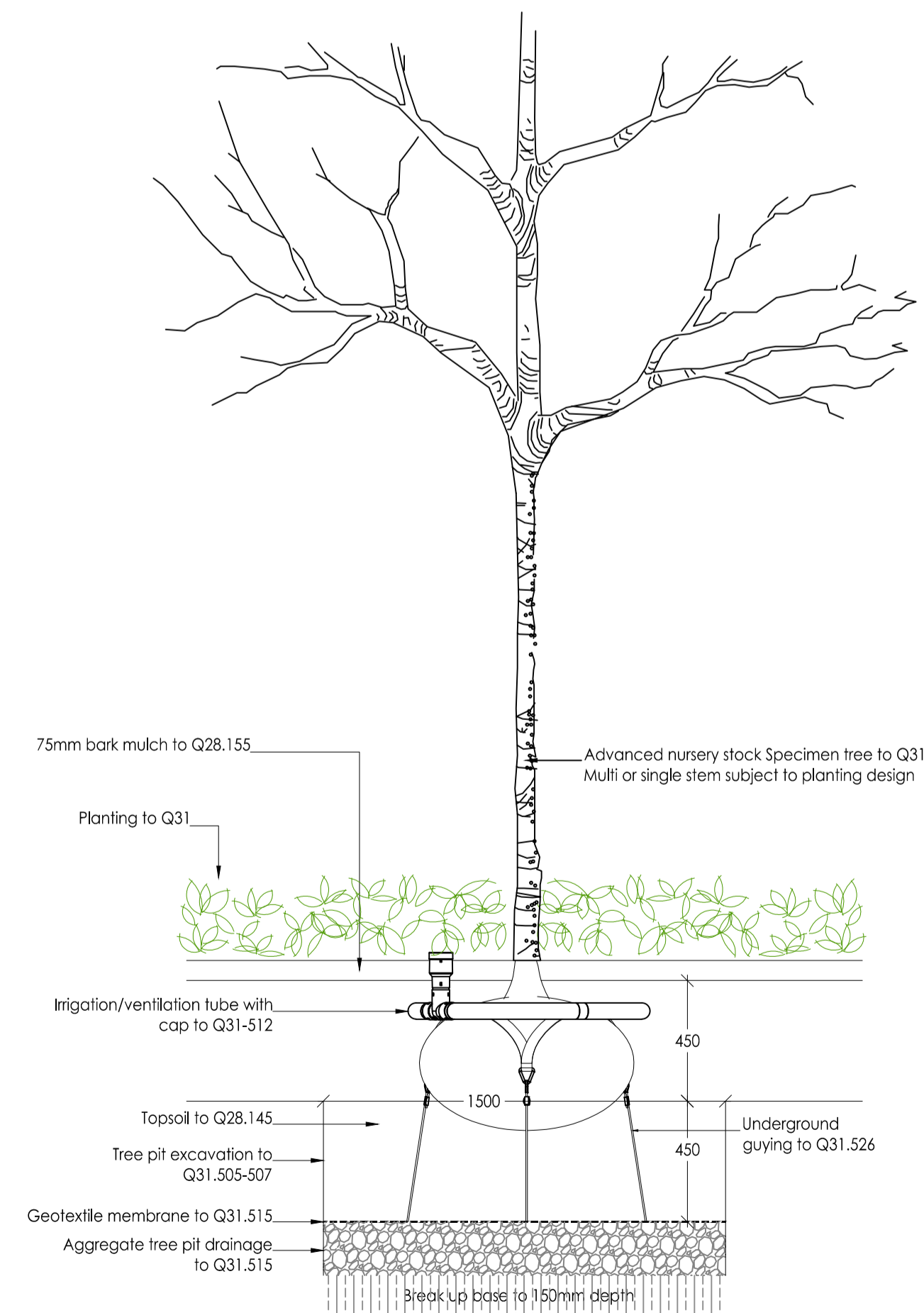
1. 1200mm circular Corfen steel grille to Q10.305 with tray fixing
2. Irrigation/ventilation tube: RRHYDR1A RootRain Hydrogrille single inlet aeration/irrigation system with cast inlet to Q31-512
3. Underground guying: 3A31CB Arborguy stapped anchor system c/w ground anchors to Q31-526 with ground anchors
4. RD1050A RootDirector, medium, modular root barrier system
5. GLTWGNA twinwall geonet laid over StrataCell structure (not under rootball/tree pit)
6. GLSCM30A StrataCell structure - 2 modules deep x 6 modules square (2x 2 x 2 void below root ball) loaded with RootSoil 20
7. GRN20 plastic open reinforcing mesh, 20mm aperture laid below and sides of StrataCell structure
8. Drainage layer - 100mm depth of clean angular stone
9. Sub-base and drainage installed below StrataCells to structural engineer's/engineer's detail/requirement
10. RRARBVDI3D Arborvent double inlet aeration/irrigation system with cast inlets
11. Tree pit backfilled with proprietary RootSoil 20
12. Concrete haunch to engineer's specification

Refer to NBS Q31.512 for details of tree pit Stratacell & accessories

TP1
0105 TREE PIT IN MACADAM TO ARRIVAL SPACE
Scale 1:10. See NBS Q22.1108



TP1
0105 STRATACELL ARRANGEMENT PLAN (UNDER MACADAM)
Scale 1:10



TP2
0105 TREE PIT WITHIN GROUND LEVEL PLANTING BED
Scale 1:20

NOTES:

DO NOT SCALE. Use figured dimensions only. The contractor is requested to check all dimensions before the work is put in hand. Copyright of this drawing belongs solely to Iteriad Ltd ©. This drawing must only be used for the purpose for which it is supplied and its contents must not be reproduced for any purpose without written permission. Areas indicated, or areas calculated from this drawing should be used for valuation purposes or as the basis for development contracts. Iteriad Ltd is a limited liability company registered in England and Wales. Number 7966573

NOTES:

To be read in conjunction with Engineers & Architects information

REV	DETAILS	DRAWN BY	CHECKED BY	CHECKED DATE
C01	First issue for construction approval	AP	KH	27.06.22

CLIENT

North Cumbria Integrated Care NHS Foundation Trust

MASTERPLANNERS/LANDSCAPE ARCHITECTS

(iteriad)

Studio
2 Cragwood Cottages,
Ecclelapp,
Windermere,
Cumbria
LA23 1JG

T: (+44) 15394 43018
E: studio@iteriad.com
W: www.iteriad.com

PROJECT TITLE

West Cumberland Hospital Phase 2

DRAWING TITLE

**GROUND FLOOR LEVEL
Typical Construction Details
Tree Pits in Hard & Soft Paving**

SCALE

1:10@A1

DRAWN BY

AP

DATE

27.06.22

PURPOSE

For Constuction Approval

STATUS

S4

JOB/DRAWING NUMBER

WCHPH2-ITR-00-XX-DR-L-0105

REVISION

C01