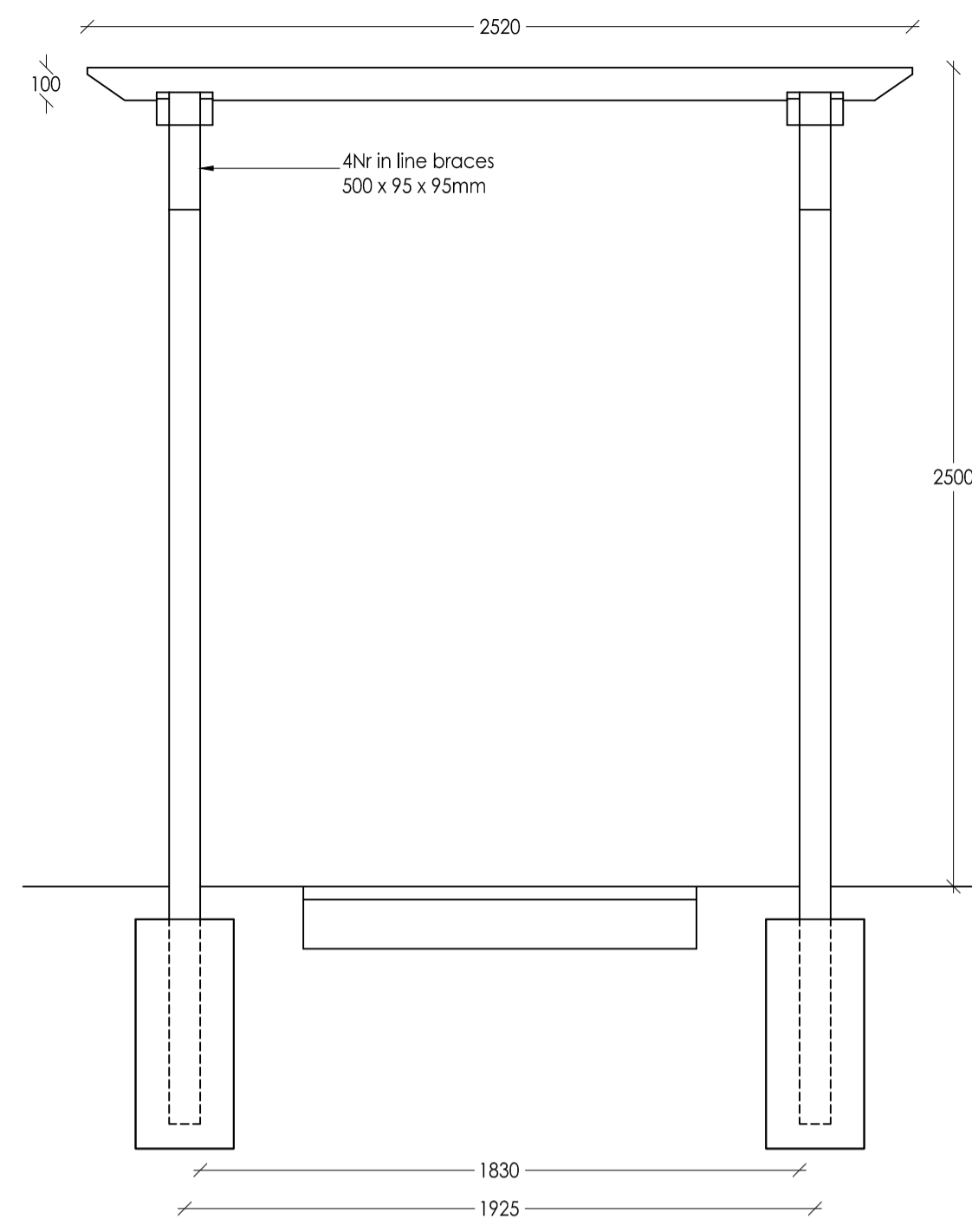
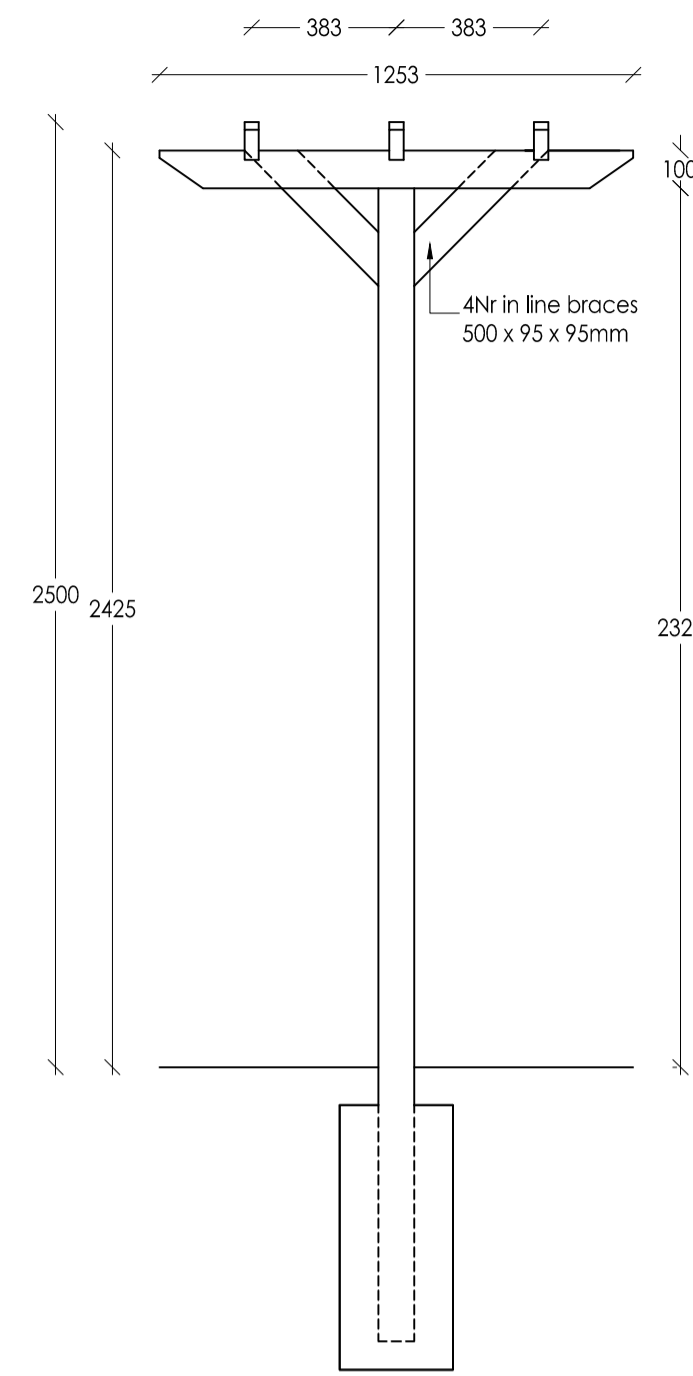


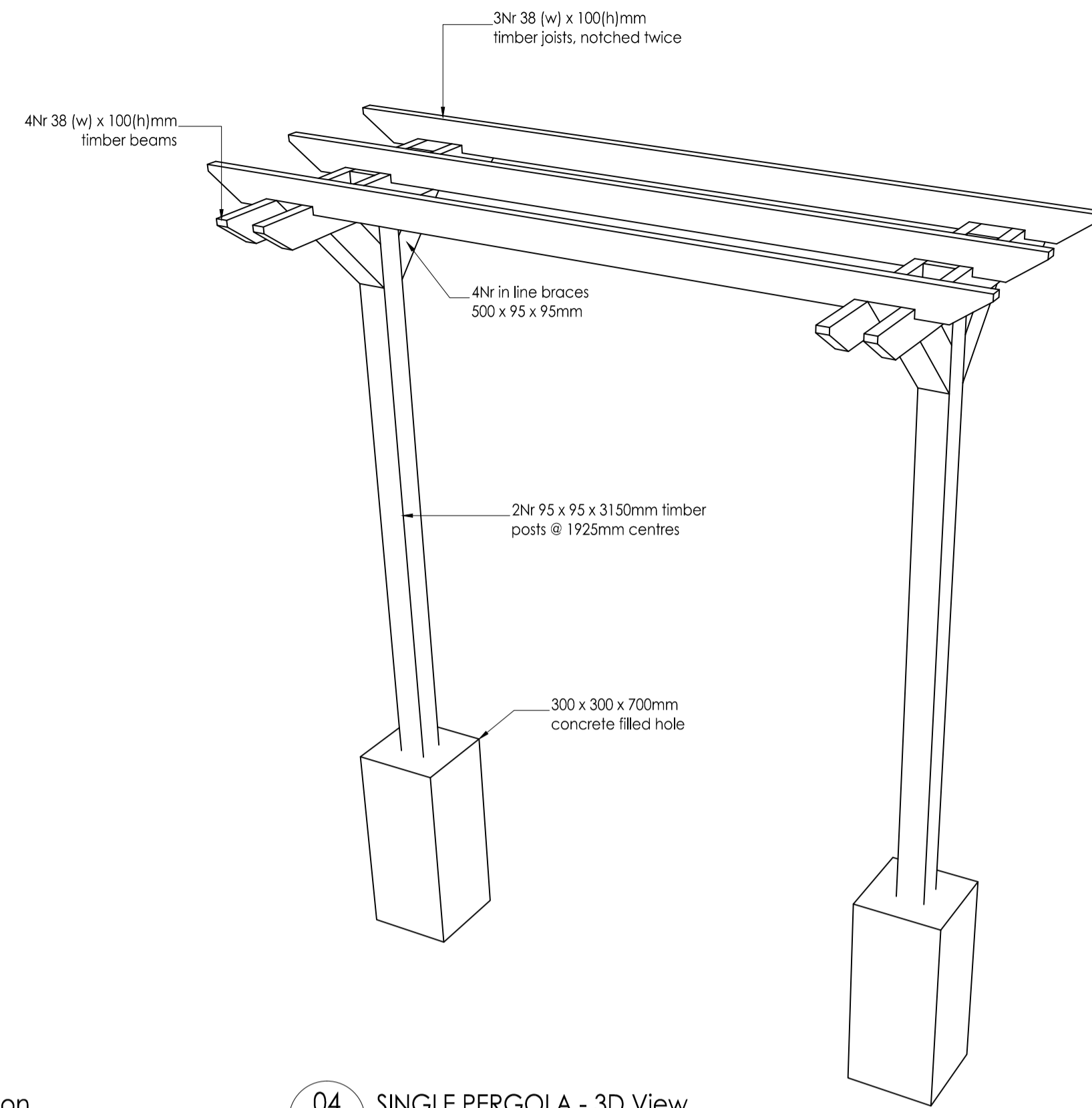
01 SINGLE PERGOLA 2.5m High- Plan View  
0104 Scale 1:20. See NBS B91.370



02 SINGLE PERGOLA 2.5m High - Front Elevation  
0104 Scale 1:20. See NBS B91.370



03 SINGLE PERGOLA - Side Elevation  
0104 Scale 1:20. See NBS B91.370



04 SINGLE PERGOLA - 3D View  
0104 Not to Scale. See NBS B91.370

**Notes**

All timber to be pressure treated softwood with 25 year guarantee against dry & wet rot & wood boring pests, posts.  
All timber to be FSC certified  
All nails, screws & fittings to be stainless steel

**NOTES:**

DO NOT SCALE. Use figured dimensions only. The contractor is requested to check all dimensions before the work is put in hand. Copyright of this drawing belongs solely to Iteriad Ltd ©. This drawing must only be used for the purpose for which it is supplied and its contents must not be reproduced for any purpose without written permission. Areas indicated, or areas calculated from this drawing should be used for valuation purposes or as the basis for development contracts. Iteriad Ltd is a limited liability company registered in England and Wales. Number 7966573

C01	First issue for construction approval	AP	KH	27.06.22
-----	---------------------------------------	----	----	----------

REV	DETAILS	DRAWN BY	CHECKED BY	CHECKED DATE
-----	---------	----------	------------	--------------

CLIENT

**North Cumbria Integrated Care NHS Foundation Trust**

MASTERPLANNERS/LANDSCAPE ARCHITECTS

**( iteriad )** Studio  
2 Cragwood Cottages,  
Ecclelsgate,  
Windermere,  
Cumbria  
LA23 1JG  
T: (+44) 15394 43018  
E: studio@iteriad.com  
W: www.iteriad.com

PROJECT TITLE  
**West Cumberland Hospital Phase 2**

DRAWING TITLE  
**GROUND FLOOR LEVEL  
Sensory Garden Details  
Double & Single Timber Pergolas**

SCALE	DRAWN BY	DATE
1:20@A1	AP	27.06.22

PURPOSE	STATUS
For Construction Approval	S4

JOB/DRAWING NUMBER	REVISION
WCHPH2-ITR-00-XX-DR-L-0104	C01