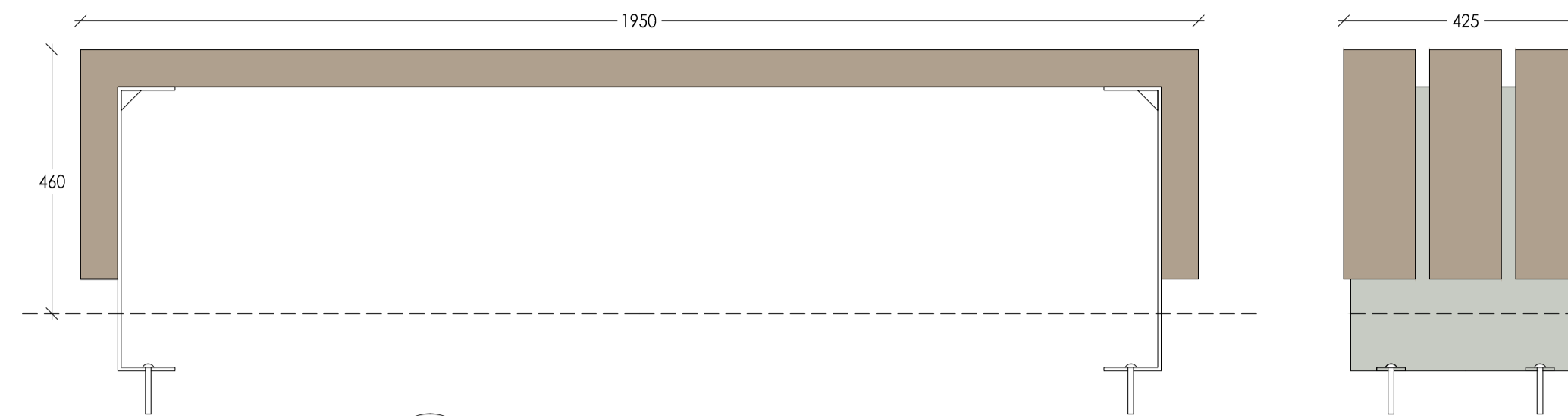
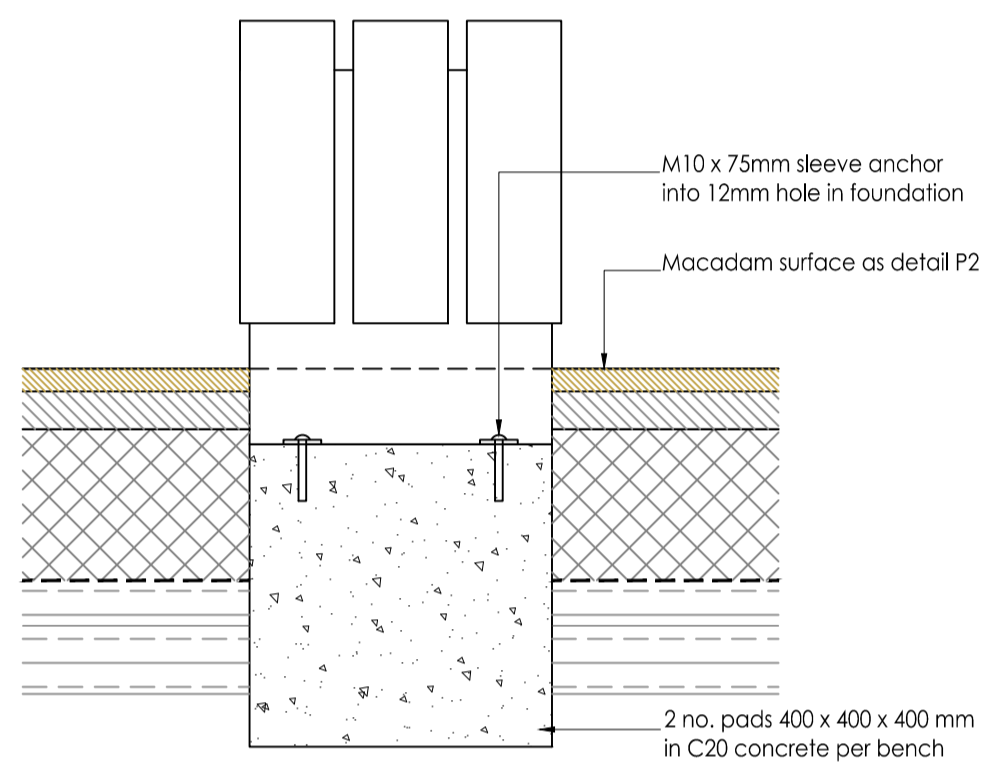
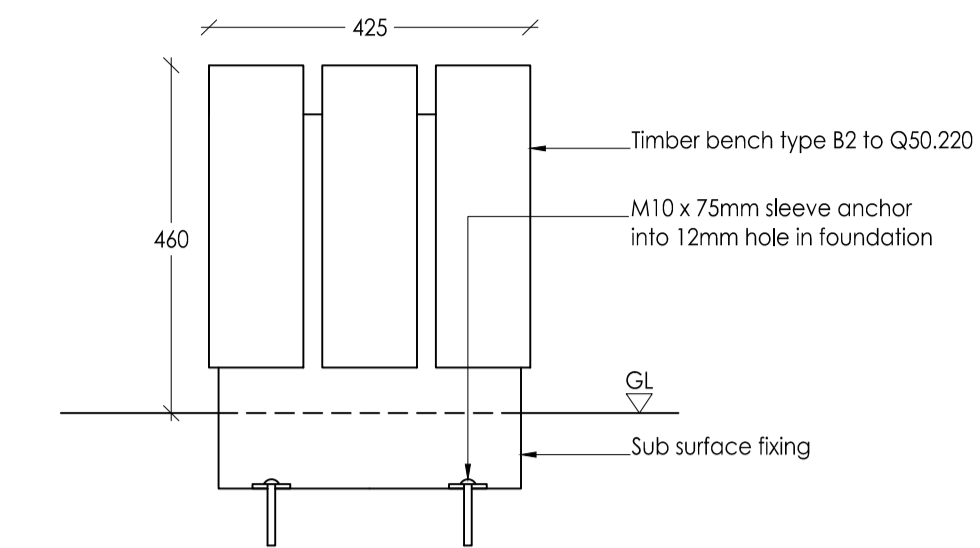


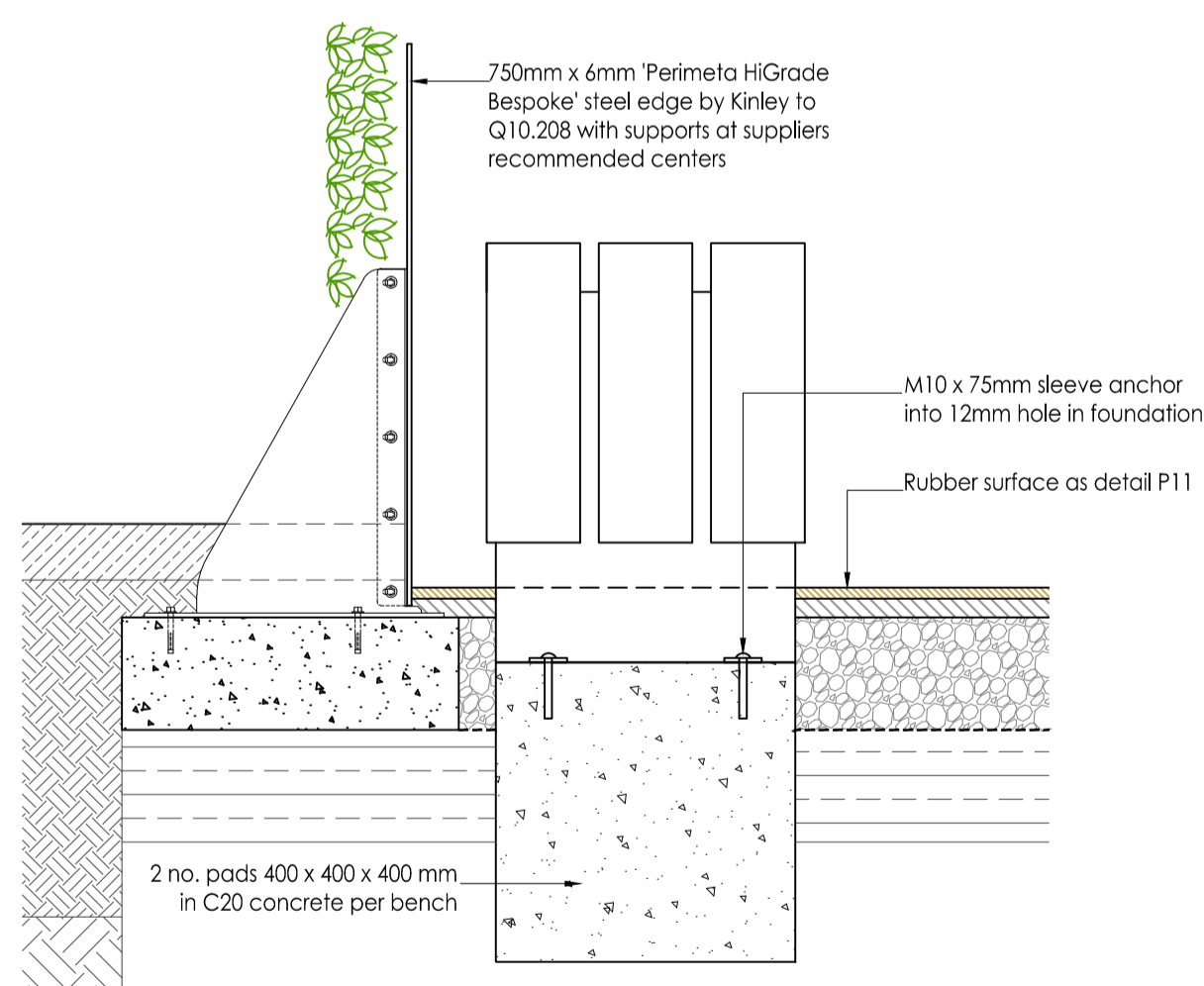
B2 TIMBER BENCH PLAN
Scale 1:10, See NBS Q50.220



B2 TIMBER BENCH ELEVATIONS
Scale 1:10, See NBS Q50.220



B2 TIMBER BENCH SECTION
Scale 1:10, See NBS Q50.220



B2 TIMBER BENCH SECTION
Scale 1:10, See NBS Q50.220

NOTES:

DO NOT SCALE. Use figured dimensions only. The contractor is requested to check all dimensions before the work is put in hand. Copyright of this drawing belongs solely to Iteriad Ltd ©. This drawing must only be used for the purpose for which it is supplied and its contents must not be reproduced for any purpose without written permission. Areas indicated, or areas calculated from this drawing should be used for valuation purposes or as the basis for development contracts. Iteriad Ltd is a limited liability company registered in England and Wales. Number 7966573

NOTES:
To be read in conjunction with Engineers & Architects information

C01	First issue for construction approval	AP	KH	27.06.22
REV	DETAILS	DRAWN BY	CHECKED BY	CHECKED DATE

CLIENT
North Cumbria Integrated Care NHS Foundation Trust

MASTERPLANNERS/LANDSCAPE ARCHITECTS
(iteriad)
Studio
2 Cragwood Cottages,
Eccleflax,
Windermere,
Cumbria
LA23 1JG
T: (+44) 15394 43018
E: studio@iteriad.com
W: www.iteriad.com

PROJECT TITLE
West Cumberland Hospital Phase 2

DRAWING TITLE
**GROUND FLOOR LEVEL
Typical Construction Details
Furniture**

SCALE: 1:10@A1
DRAWN BY: AP
DATE: 27.06.22

PURPOSE: For Construction Approval
STATUS: S4

JOB/DRAWING NUMBER: WCHPH2-ITR-00-XX-DR-L-0102
REVISION: C01