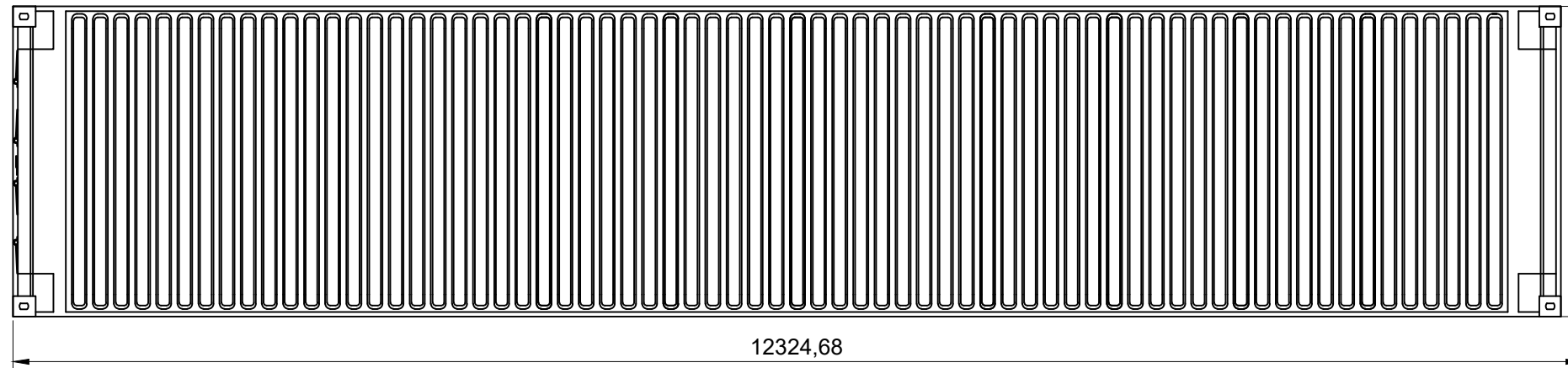
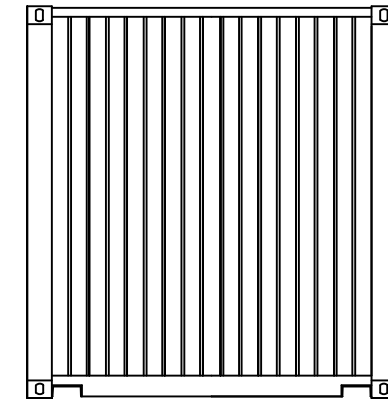


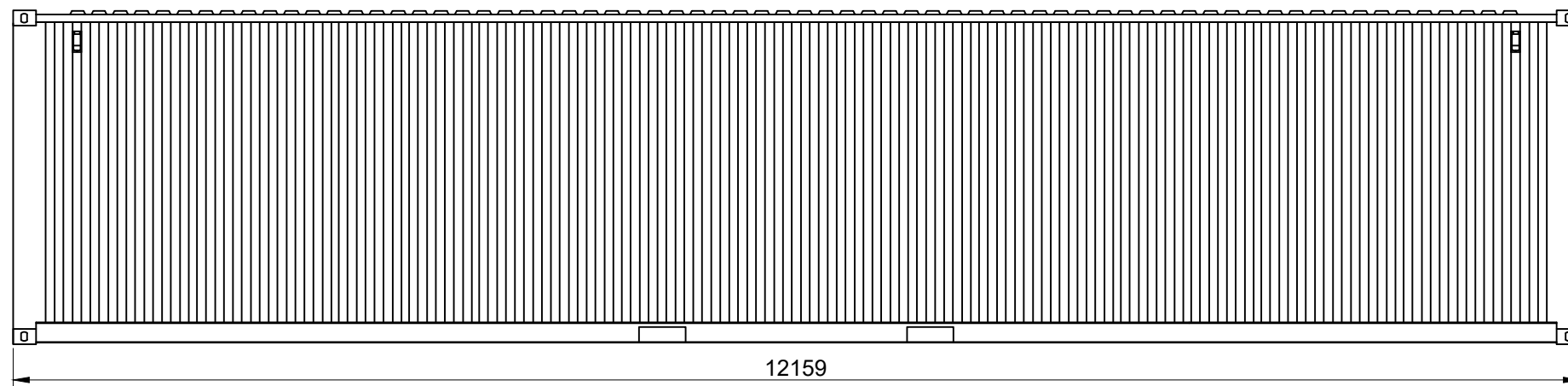
40ft Shipping Container - Roof Plan



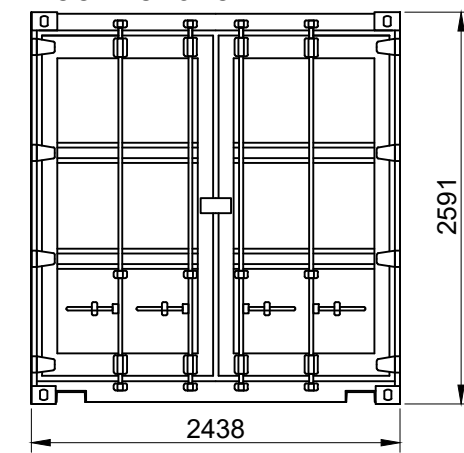
40ft Shipping Container - Front Elevation



40ft Shipping Container - Side Elevation



40ft Shipping Container - Door Elevation



<b>Project Details &amp; Site Address</b>		<b>Plot 5B, Westlakes Science Park, Ingwell Drive, Moor Row, Whitehaven, Cumbria, CA24 3HY</b>	
<b>Project</b>	<b>Offices &amp; Contractor Training Academy Proposed Site &amp; Block Plans</b>		
<b>Ref</b>	<b>P5B-WK-002</b>	<b>Rev</b>	<b>-</b>
<b>Scale</b>	<b>1/50</b>	<b>Date</b>	<b>6th Aug 2023</b>
<b>Client</b>	<b>William King Construction</b>	<b>Paper Size A3</b>	