



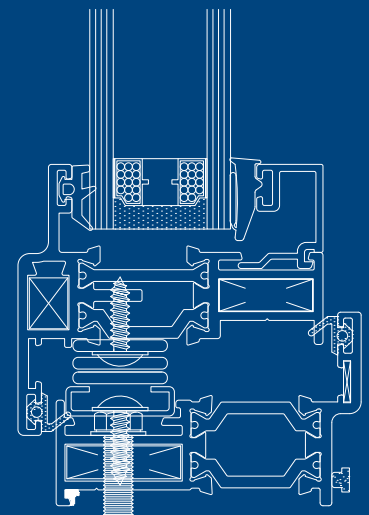
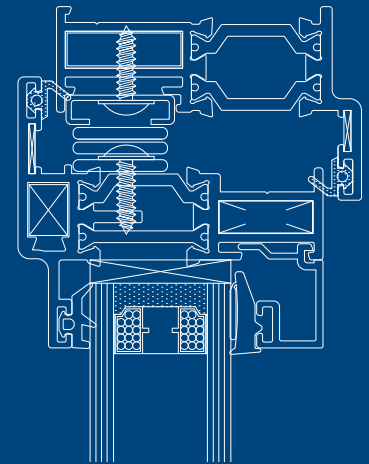
MOUNT PLEASANT

**smart**  
architectural aluminium

## Alitherm Heritage

The ideal window and door solution for heritage applications such as listed building renovations where planning regulations demand a like-for-like replacement window with optimum thermal performance.

- Window Energy Rating B
- U Value 1.5 W/m<sup>2</sup>K (using sealed unit 1.0 W/m<sup>2</sup>K)
- BS 6375 Part 1: 2009 Resistance to Weather





## Project

### Payne Road

East London, London EC1A 1BB

---

## Architect

### Stockwool

The Pump House, 19 Hooper St, London E1 8BU

---

## Main Contractor

### Galliford Try

Cowley Business Park, Cowley, Uxbridge UB8 2AL

---

## Summary

Located on the edge of the Olympic Park in East London, and on the site of a former chocolate factory and warehouse, this mixed residential and commercial development consists of 158 one and two bedroom apartments – and features studios for local artists, film makers and designers.

To retain the design style of the original structure, which featured steel windows, green polyester powder coated Smart Alitherm Heritage windows were specified for the refurbishment project, with a combination of casement, top-hung and side-hung units installed. On the building's front elevation, arch-headed windows were set back into the original brickwork reveals to maintain the building's traditional aesthetics. Completing the project, Smart's commercial door and framing system was used for the main entrance on the ground floor and the company's Visoline doors and tilt and turn windows were installed in to a new steel frame extension constructed on the building's roof to provide additional accommodation.

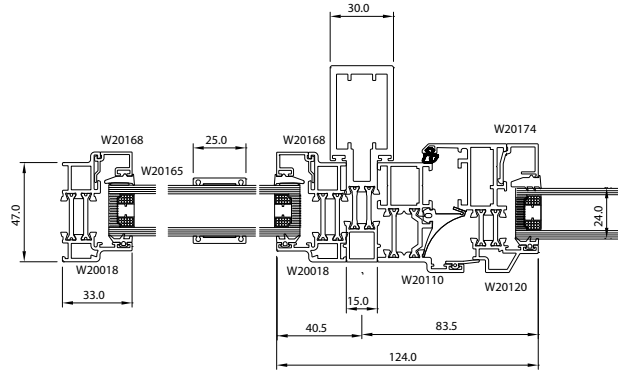
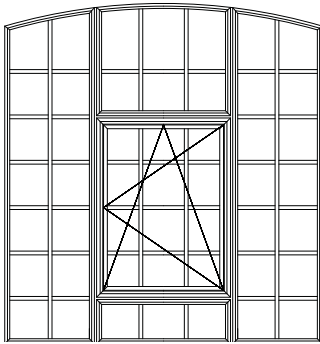




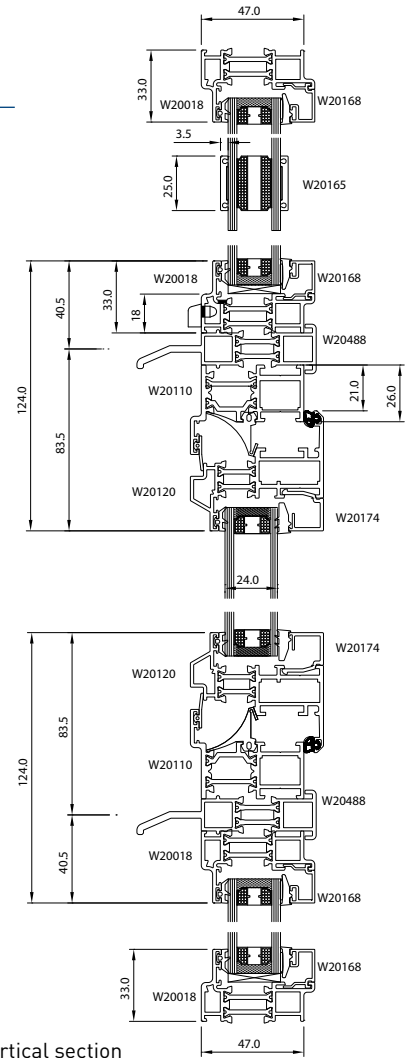
# Examples of Typical Sections – New Opening Options

## Alitherm Heritage with Tilt & Turn Opening

Shown in heritage style window



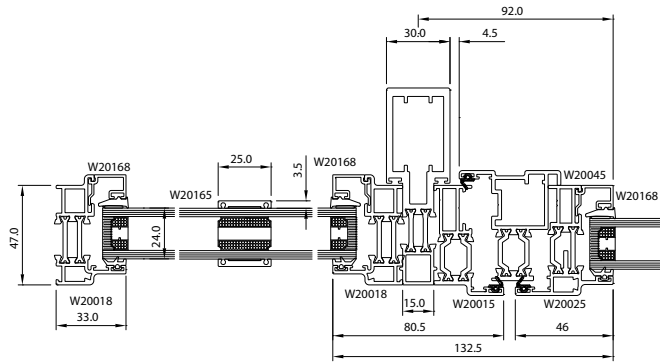
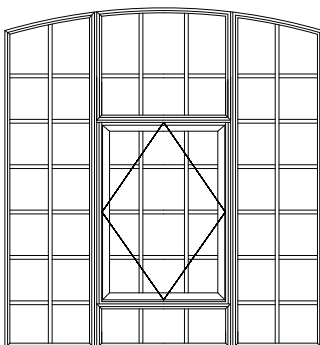
Horizontal section through opening casement



Vertical section

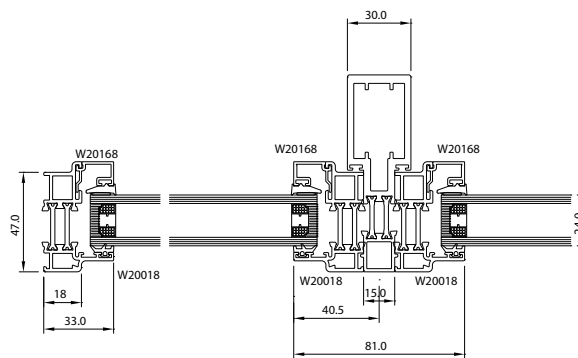
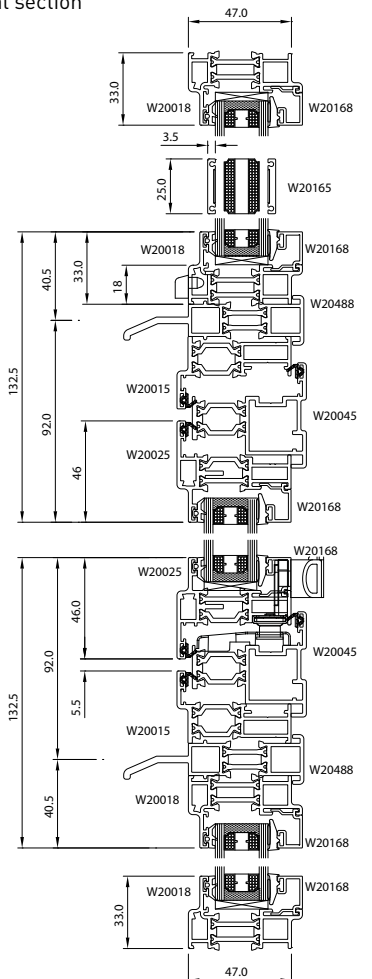
## Alitherm Heritage with Pivot Opening

Shown in heritage style window



Horizontal Section through Opening Casement

Vertical section



Horizontal section through fixed panes

# Alitherm Heritage Window

Alitherm Heritage provides the ideal solution for heritage applications such as listed building renovations and large scale replica-refurbishment projects where planning constraints are to be considered.

The Alitherm Heritage window is designed to be built as a series of horizontal modules which can be stacked using horizontal couplers to form a multi-part window featuring a specially design drip bar between modules.



## Application

- Fixed windows
- Single or double sash, side hung open out casements
- Top hung open out casements
- Pivot windows

## Features

- Polyamide thermal break provides enhanced thermal performance
- Designed as a direct replacement for steel windows

## Finish

Single or dual colour, marine quality polyester powder coat as standard

## Technical Performance

<b>WER Rating</b>	B
<b>U Value</b>	1.5 W/m <sup>2</sup> K (using sealed unit 1.0 W/m <sup>2</sup> K)
<b>Air</b>	Class 4, 600Pa
<b>Water</b>	Class 9A, 600Pa
<b>Wind</b>	Class AE, 2400Pa

Document L Compliant

## Dimensions

<b>Frame Depth</b>	47mm
<b>Glass</b>	24mm, 28mm, 32mm & 36mm

## Test Certification

**BS 6375 Part 1:** 2009 Resistance to Weather

## Recommended Design Limits

- Side Hung Vent Max o/a width: 700mm
- Side Hung Vent Min o/a width: 300mm
- Side Hung Vent Max o/a height: 1400mm
- Maximum Vent weight: 40kg
- Top Hung Vent Max o/a width: 1400mm
- Top Hung Vent Max o/a height: 1300mm
- Top Hung Vent Min o/a height: 275mm
- Maximum Vent weight: 35kg

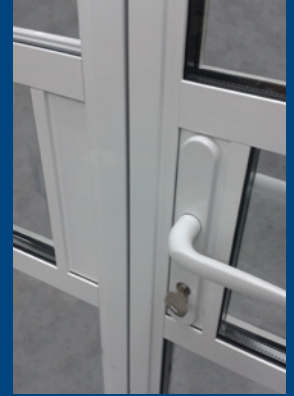
## Smart Systems Limited

Arnolds Way | Yatton | Bristol | North Somerset | BS49 4QN | UK  
**T** +44 (0) 1934 876 100 | **F** +44 (0) 1934 835 169 |  
**W** www.smartsystems.co.uk | **E** sales@smartsystems.co.uk  
 IMS123AH.201504

# Alitherm Heritage Door

The Smart Alitherm Heritage door is the ideal replacement for steel balcony doors on heritage applications such as building renovations or apartment conversions. The Alitherm Heritage door provides the solution for conservation areas where planning regulations require a like-for-like product replacement.

Alitherm Heritage door profiles feature the system's signature slim sightlines and elegant lines that complement Smart's existing Alitherm Heritage window and mimic those of steel doors. The system has all the advantages of modern aluminium profiles that feature polyamide thermal breaks, allowing the system to achieve a U Value of 1.5 W/m<sup>2</sup>k when installed with a suitable sealed unit.



## Application

- Single or double doors

## Features

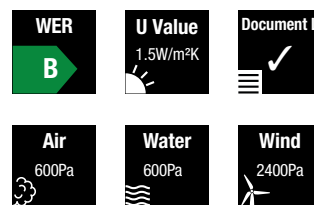
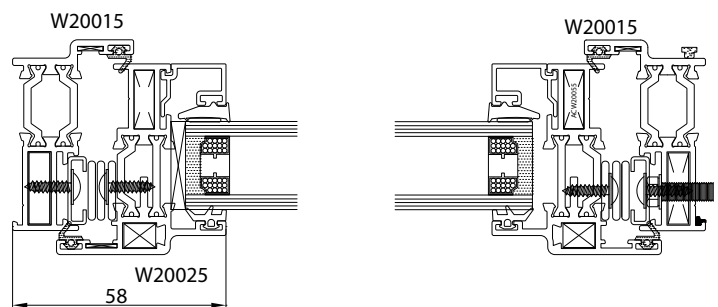
- Slim sightlines
- Tape or gasket glazed
- Multi point locking and face mounted shoot bolts

## Technical Performance

<b>U Value</b>	1.5 W/m <sup>2</sup> K (using sealed unit 1.0 w/m <sup>2</sup> K)
<b>Air</b>	Test result pending
<b>Water</b>	Test result pending
<b>Wind</b>	Test result pending
<b>Glass</b>	24mm – 32mm
<b>Typical Sightlines</b>	59mm

## Recommended Design Limits

<b>Max Width</b>	900mm
<b>Max Height</b>	2100mm



The images, drawings and data shown in this brochure are for illustrative purposes only and are not binding in detail, colour or specification. We reserve the right to make changes to the product specification as technical developments dictate and without prior notice. We recommend that the user ensures that they are satisfied the product meets their requirements prior to purchase. ©Smart Systems Ltd 2014