

## Christopher Harrison

---

**Subject:** FW: Moresby Parks development , minor plan updates.  
**Attachments:** c 6972-100J Road Layout (2).pdf; c 6972-01D Site Layout (1).pdf

---

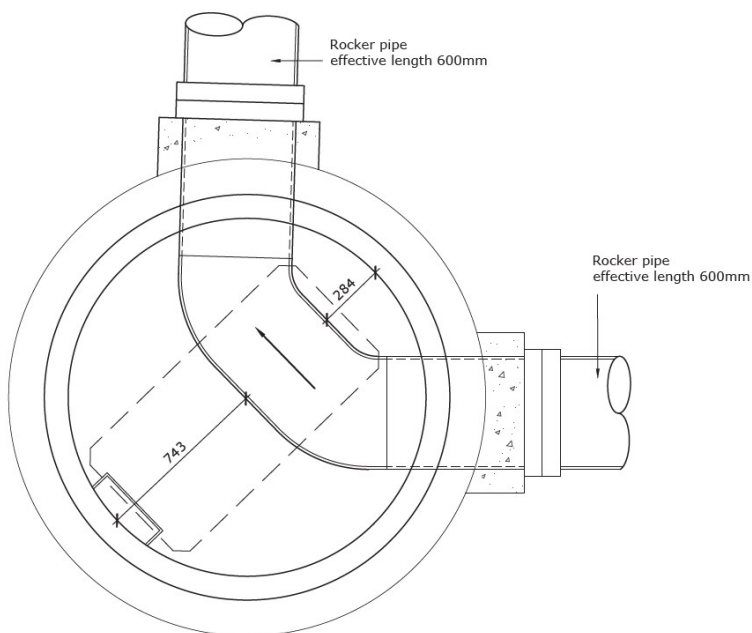
**From:** Mike Ra  
**To:** Christopher Harrison  
**Subject:** Moresby Parks development , minor plan updates.

**CAUTION: External email, think before you click!**  
Please report any suspicious email to our [IT Helpdesk](#)

Morning Chris

I have had the drawings updated inline with Paul Telfords recommendation and requirements and are attached.

.For the 450mm pipe we would propose to use radius bends, but instead of a 90 degree we would use 2 x 45 bends with a small straight between them, similar to MH-S5 on drawing 6972/206 which I have added a screenshot of below.



Regards,

Mike Rae  
Raemore Developments Ltd