

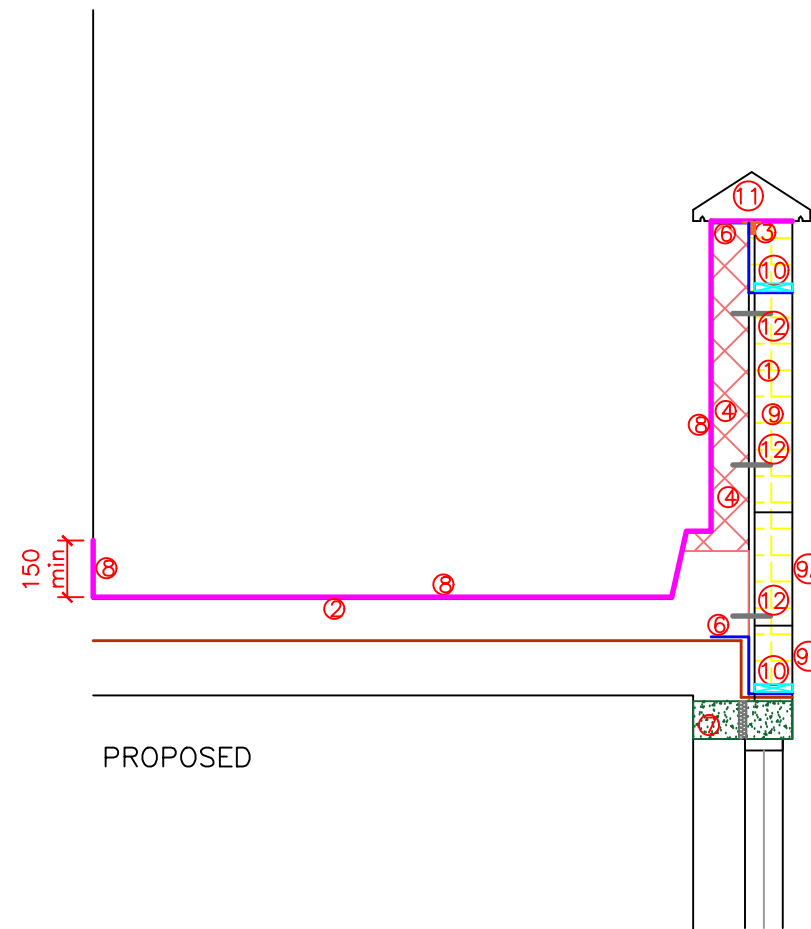
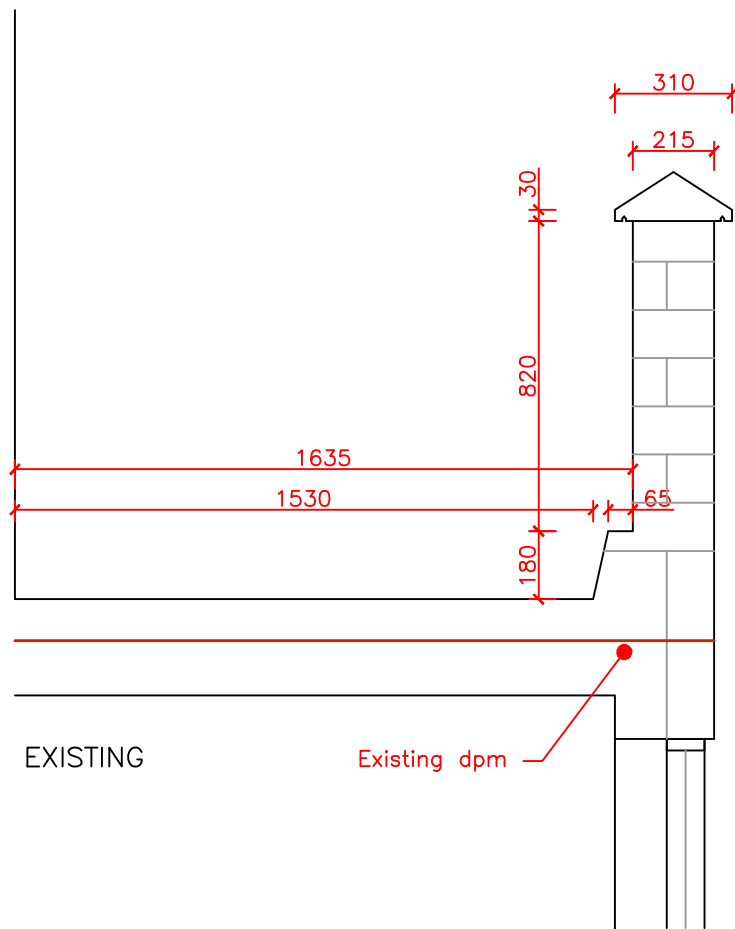
© RNJ Partnership LLP

Notes:

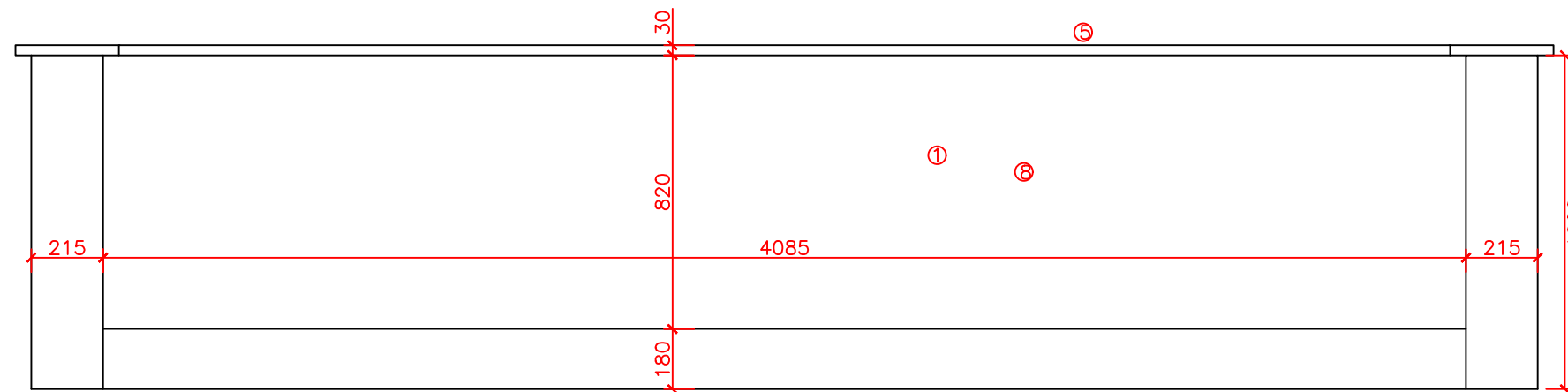
Do not scale, use figured dimensions only.

All dimensions to be verified on site prior to the commencement of any works. Any discrepancies should be reported to RNJ Partnership LLP.

Scale 1:20 @ A3
0mm 200mm 400mm 600mm 800mm 1000mm



- 1 C20/120
Dismantle parapet wall and outer leaf brickwork to top of ground floor windows
- 2 C20/120
Remove existing walkway membrane
- 3 F30/180
Install 15 mm cavity closer
- 4 F10/255
Rebuild inner leaf of parapet wall with concrete facing blockwork 7.3 N/mm² in stretcher bond
- 5 F30/455
Remove and reinstall existing coping stones
- 6 F30/345
Install site formed cavity trays
- 7 F30/105
Install precast concrete lintel
- 8 S31/110
Apply new liquid applied waterproof coating to first floor external access walkway and inner leaf parapet
- 9 F10/110
Rebuild outer leaf brickwork from above structural openings to top of parapet wall with brickwork to match existing or approved by planning/ conservation officer including solider courses
- 9A F10/110
Solider course bond band diving ground and first floors
- 9B F10/110
Solider Course above structural opening
- 10 F30/131
Weep holes at 1000 mm centres
- 11 F30/455
Remove and reinstall existing coping stones
- 12 F30/220
Stainless steel wall ties at 450 mm vertical and 900 mm horizontal centres



Walkway Side of Parapet

EXISTING

REV.	DATE	DESCRIPTION
A	15.11.23	Omit: rough cast render Add: Rebuild outer leaf of brickwork to top of structural openings and parapet wall



Chartered Quantity Surveyors Chartered Building Surveyors
Project Managers Principal Designers Asbestos Surveyors

2 DIAMOND COURT KENTON NEWCASTLE UPON TYNE NE3 2EN
Tel. 0191 286 0707 Fax. 0191 286 0855

email : rnj@rnjllp.com

CLIENT HOME GROUP

PROJECT DUKE STREET WHITEHAVEN

TITLE SECTION THROUGH WALKWAY PARAPET

DRAWN LCJ CHECKED RT
SCALE 1:20 @ A3 DATE JUNE 23

Drg.No. BS/23/11/02 REV. A

SECTION THROUGH WALKWAY PARAPET