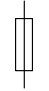



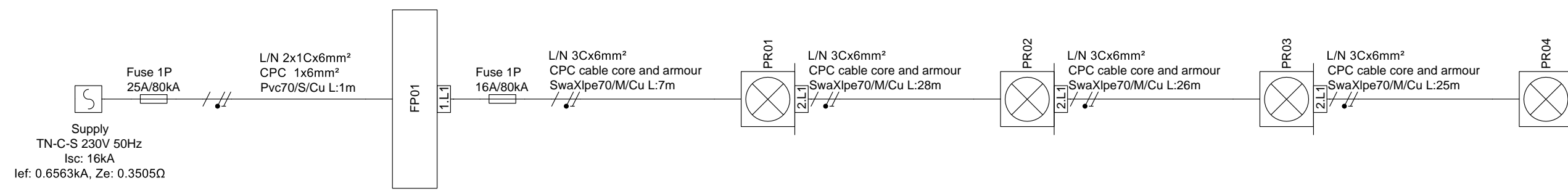


Symbols	
	Fuse
	General source
	Lighting Unit
	Lighting final circuit



All Distribution Circuits								
Working Voltage	From	To	Conductor Make-up	Conductor Type	Length (m)	Method	Protective Device	Voltage Drop
230V AC	Supply	FP01	2x1Cx6mm ² + 1x6mm ² E	Pvc70/S/Cu	1	Clipped direct flat touching	Fuse 1P 25A/80kA	0 %
230V AC	FP01	PR01	3Cx6mm ² + E(cable core and armour) (Run to 70 °C)	SwaXlpe70/M/Cu	7	In underground single way ducts	Fuse 1P 16A/80kA	0 %
230V AC	PR01	PR02	3Cx6mm ² + E(cable core and armour) (Run to 70 °C)	SwaXlpe70/M/Cu	28	In underground single way ducts	N/A	0.01 %
230V AC	PR02	PR03	3Cx6mm ² + E(cable core and armour) (Run to 70 °C)	SwaXlpe70/M/Cu	26	In underground single way ducts	N/A	0.02 %
230V AC	PR03	PR04	3Cx6mm ² + E(cable core and armour) (Run to 70 °C)	SwaXlpe70/M/Cu	25	In underground single way ducts	N/A	0.02 %

Project description OFF ARLECDON PARKS ROAD		Details Private Lighting Design - Main	
Design firm SHD Lighting Consultancy Ltd	Design by Stephen Higham	Design date 27/01/2024	Drawing No.
Client RG PARKINS	Revision by Steve Higham	Revision date 27/01/2024	Sheet No.

