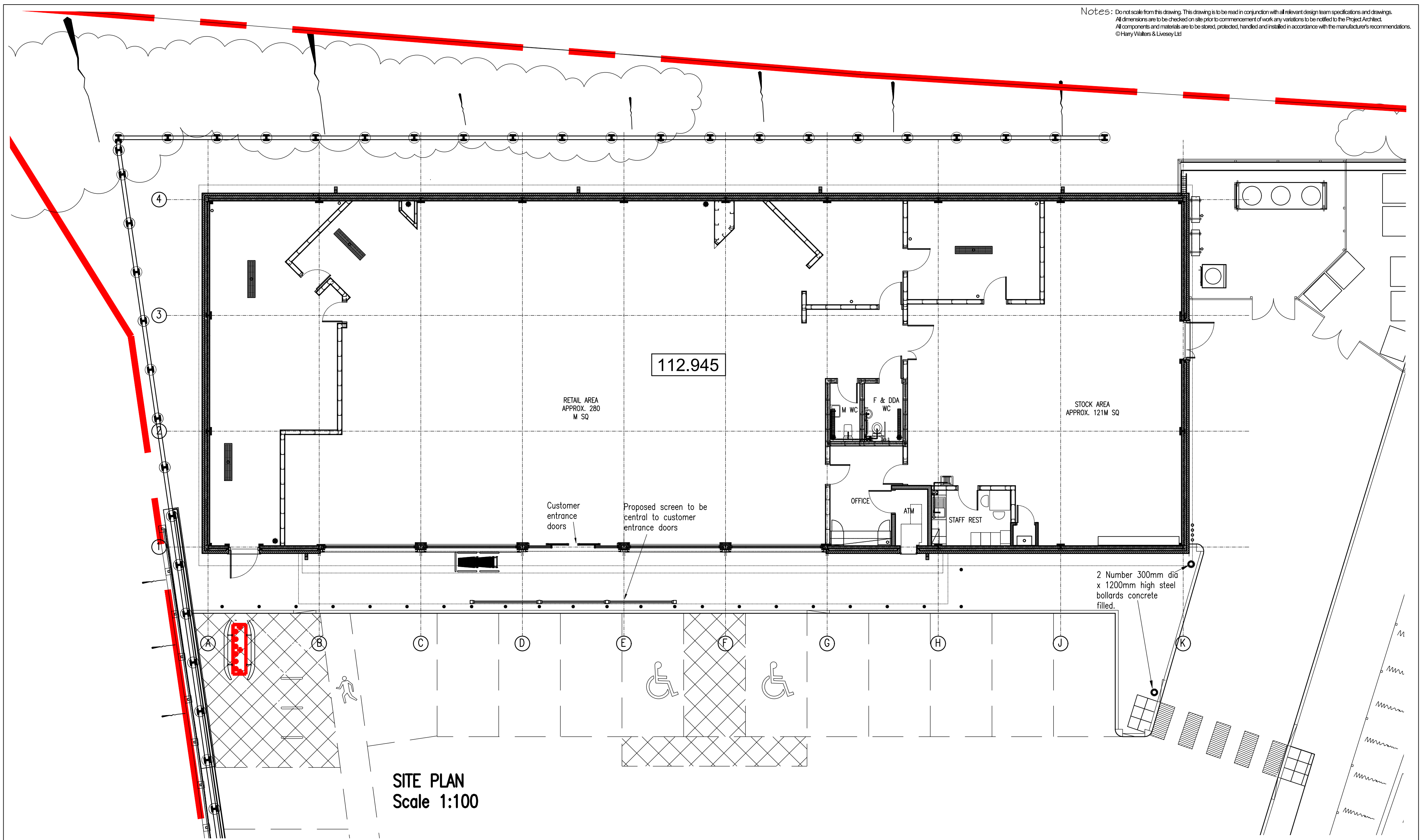
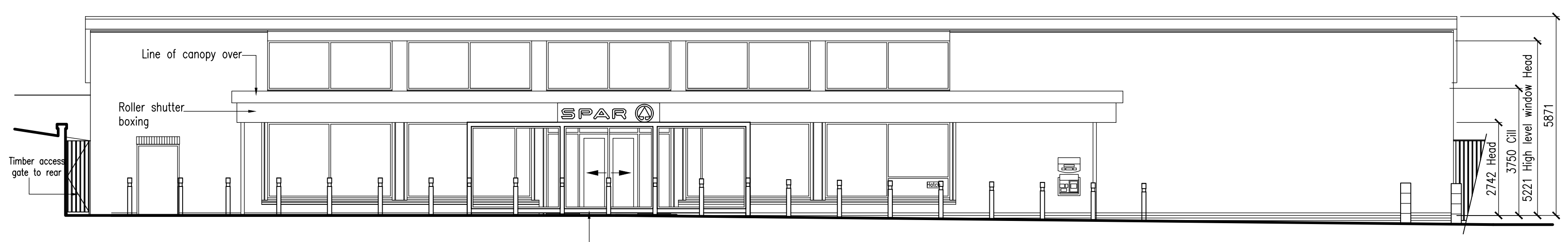


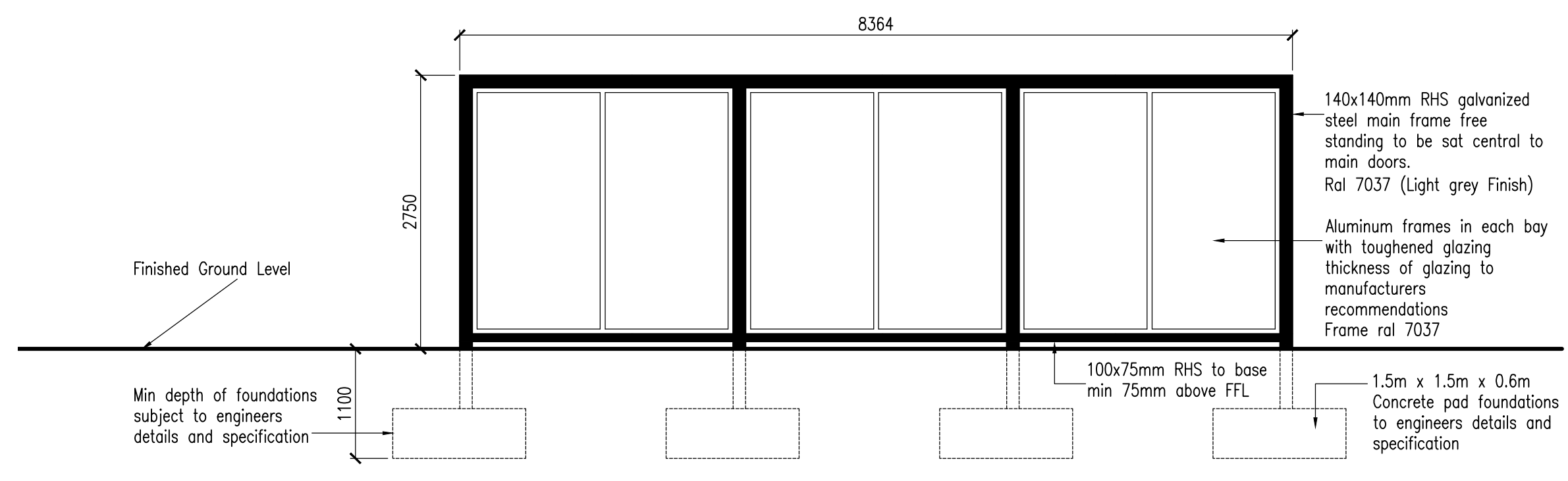
Notes: Do not scale from this drawing. This drawing is to be read in conjunction with all relevant design team specifications and drawings. All dimensions are to be checked on site prior to commencement of work any variations to be notified to the Project Architect. All components and materials are to be stored, protected, handled and installed in accordance with the manufacturer's recommendations. © Harry Walters & Livesey Ltd



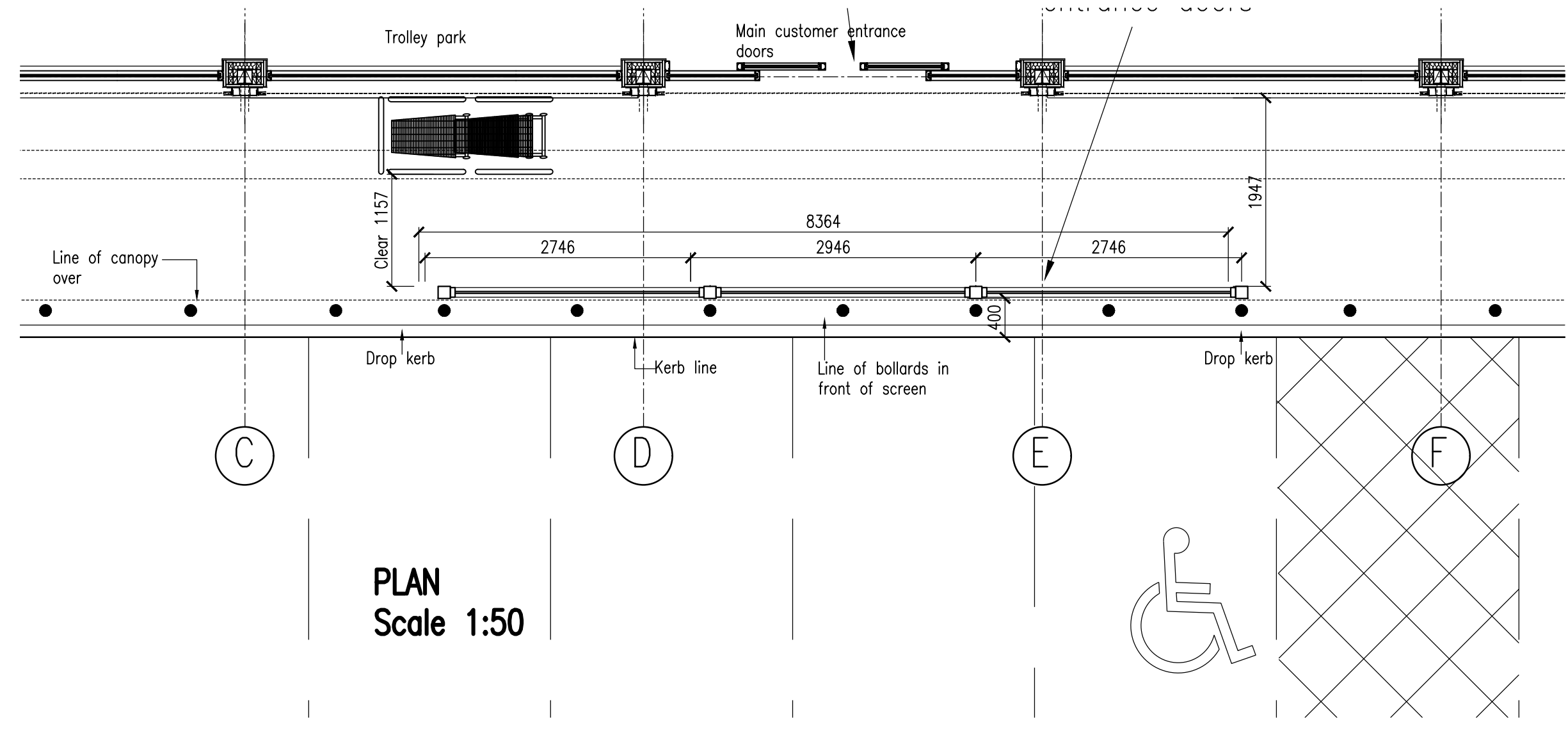
SITE PLAN
Scale 1:100



NORTH ELEVATION OF BUILDING SHOWN BOTH SCREEN AND BOLLARDS IN PLACE
Scale 1:100



ELEVATION TO FREE STANDING SCREEN
Scale 1:50



PLAN
Scale 1:50

Rev C1 10-12-2019 JMW
Bollard to right side of building added, location of retaining wall to left of building amended
Rev T1 06-06-2019 JMW
TENDER ISSUE

CLIENT James Hall & Co Ltd	PROJECT NAME Hensingham, Whitehaven
DRAWING NAME Free standing screen detail	SCALE 1:50 & 1:10.0 @ A1
DATE June 2019	DWG No BR-108
JOB NUMBER 2018-213	REV No CI
Registered Office • James Hall Spar Distribution Centre Bowland View Fulwood • Preston • Lancashire • PR2 5QT • Company No. 0823822	K.M. McFadyen, Dip. Arch. R.I.B.A. Tel No: 01772 706696 Email: office@HWL1.com

HWL
HARRY WALTERS & LIVESEY Ltd