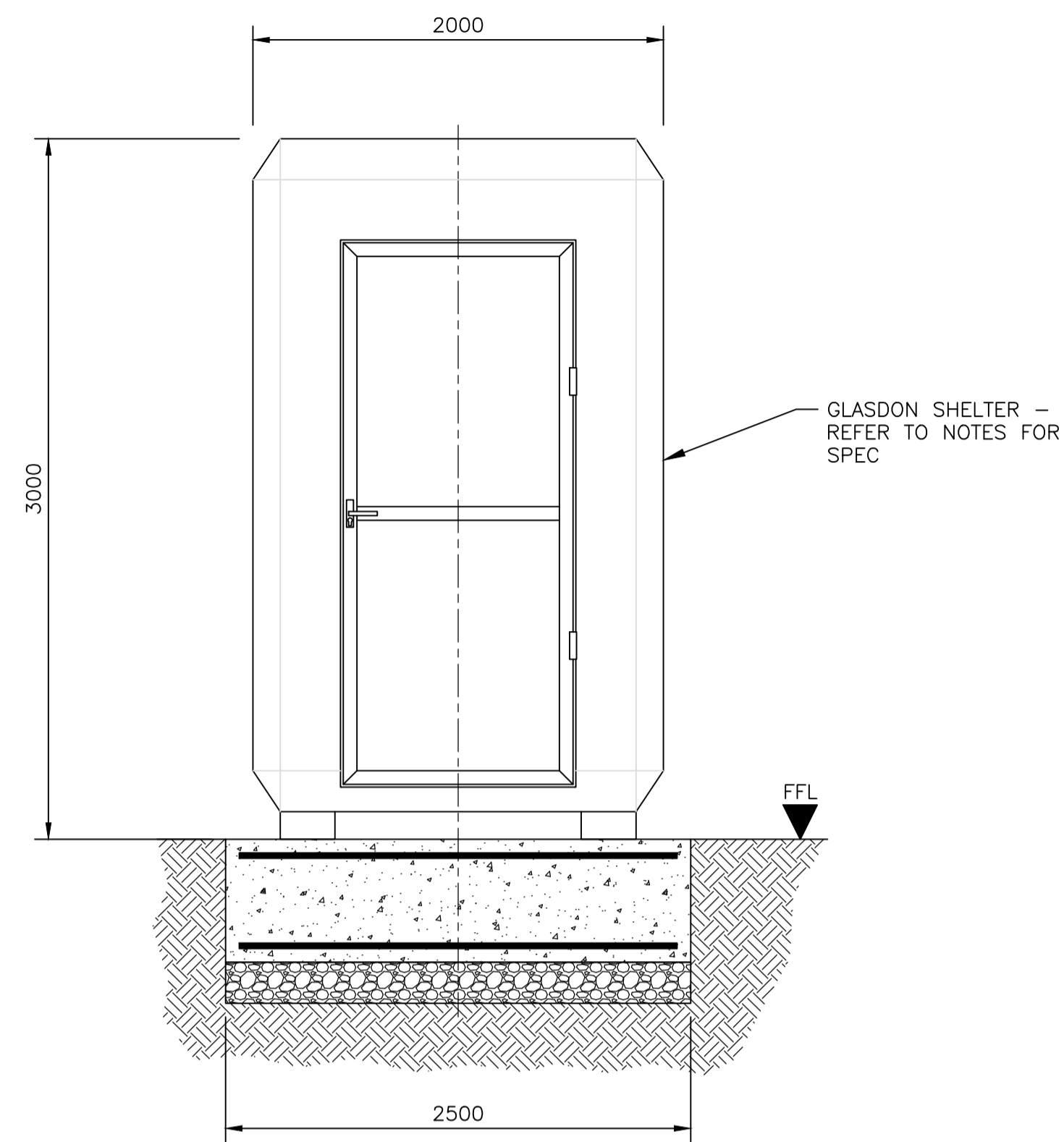
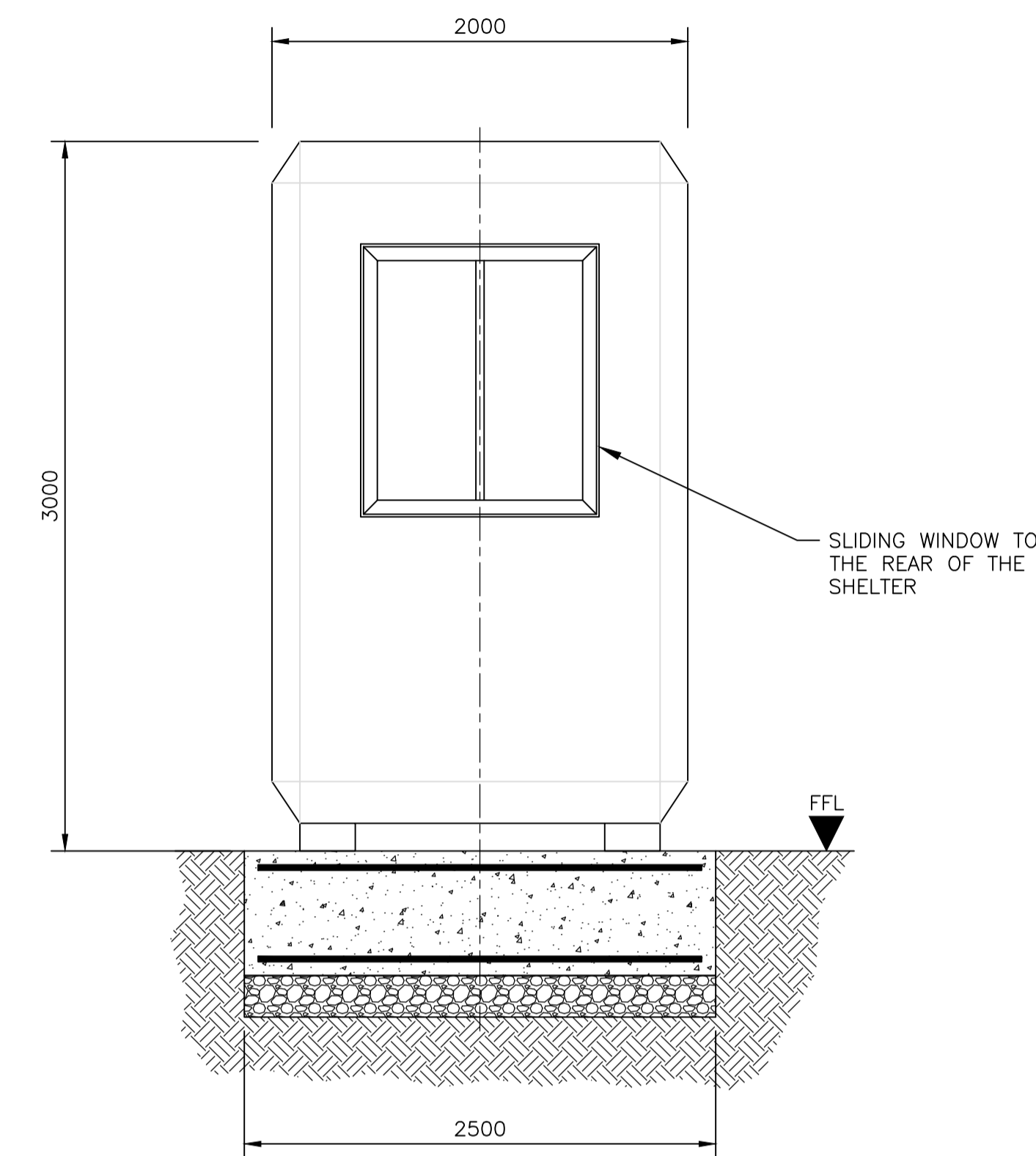


SHELTER SPECIFICATION

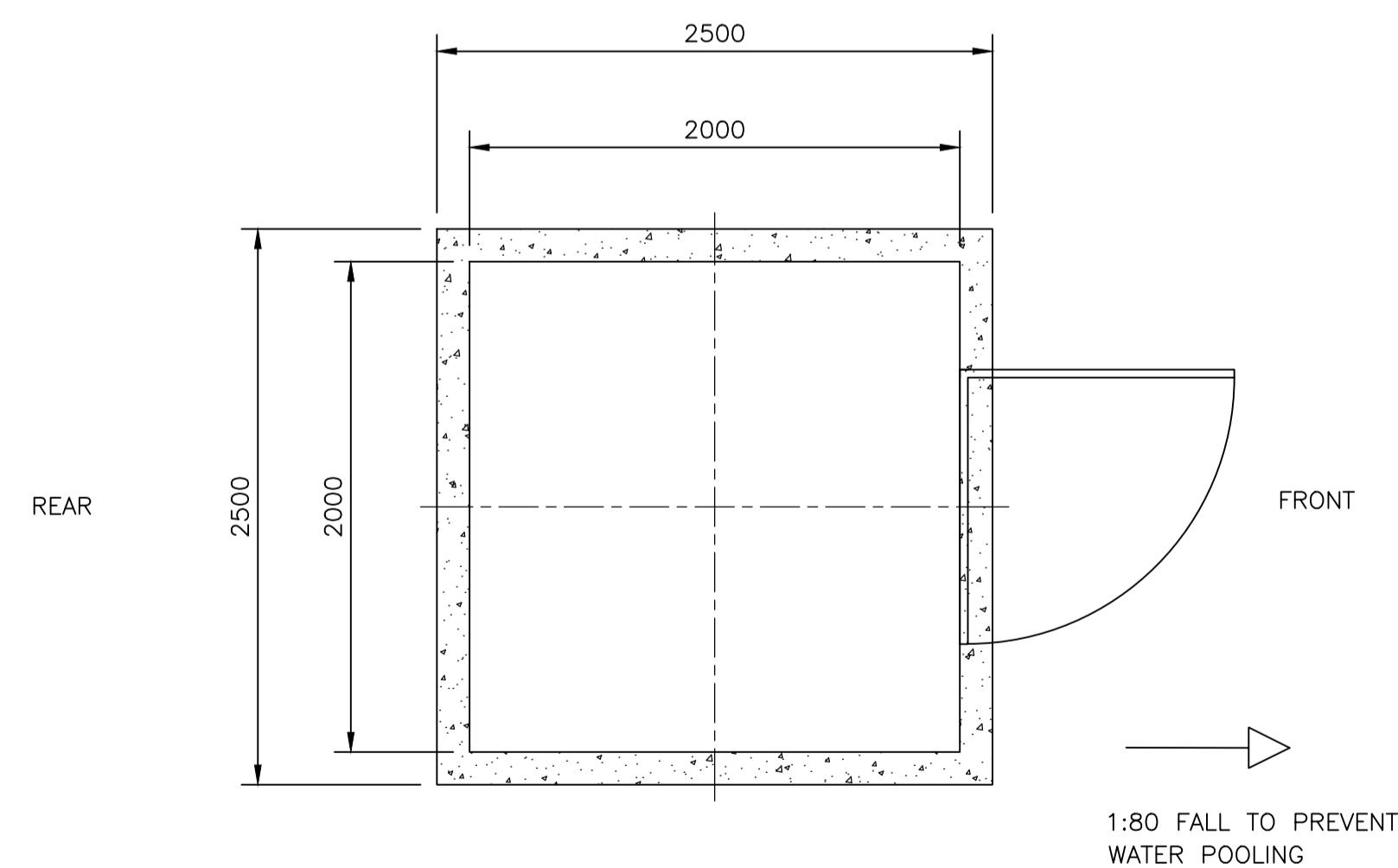
SHELTER TO BE GLASDON GENESIS GRP 1.5 x 1.5m KIOSK + SHELF KIT. SHELTER TO BE FIXED TO BASE USING ANCHORS SUPPLIED BY GLASDON FOLLOWING THEIR INSTALLATION METHOD.



FRONT ELEVATION




REAR ELEVATION



PLAN



Mod.		Date :		Mod.		Date :		Mod. A		Date : 29/01/2024		Security Class		 <p>Sellafield Ltd Hinton House, Birchwood Park Avenue Risley, Warrington WA3 6GR</p>		<p>MAIN GATE BUS LANE WORKS NEW SHELTERS STANDARD DETAIL</p>																																				
FOR EXTERNAL USE										Copyright NDA 2023. This document contains proprietary information for use in association with the Sellafield M&O contract. Permission to copy, or use the information for any other purpose, should be sought from the Intellectual Property Manager, Sellafield Ltd.		<table border="1"> <tr><td>Project No.</td><td></td></tr> <tr><td>Building No.</td><td></td></tr> <tr><td>Site/Location</td><td></td></tr> <tr><td>Department</td><td></td></tr> <tr><td>Discipline/Type</td><td></td></tr> <tr><td>Designer</td><td></td></tr> <tr><td>Scale</td><td></td></tr> <tr><td>Contract No.</td><td></td></tr> <tr><td>Drawing/CM Category</td><td></td></tr> </table>						Project No.		Building No.		Site/Location		Department		Discipline/Type		Designer		Scale		Contract No.		Drawing/CM Category		<table border="1"> <tr><td>System No.</td><td></td><td>Clients Drg. No.</td><td></td></tr> <tr><td>Plant Area</td><td></td><td>Clients Proj. No.</td><td></td></tr> <tr><td>Plant Title</td><td colspan="3"></td></tr> <tr><td>Plant Item No.</td><td colspan="3"></td></tr> </table>		System No.		Clients Drg. No.		Plant Area		Clients Proj. No.		Plant Title				Plant Item No.		
Project No.																																																				
Building No.																																																				
Site/Location																																																				
Department																																																				
Discipline/Type																																																				
Designer																																																				
Scale																																																				
Contract No.																																																				
Drawing/CM Category																																																				
System No.		Clients Drg. No.																																																		
Plant Area		Clients Proj. No.																																																		
Plant Title																																																				
Plant Item No.																																																				
Name		Drawn		Checked		Lvl.		Approved		Name		Drawn		Checked		Lvl.		Approved		Name		Drawn		Checked		Lvl.		Approved		Name		Signature		Signature		Signature		Signature														
1		2		3		4		5		6		7		8		9		10		11		12		13		14		15		16		17		18		19		20														