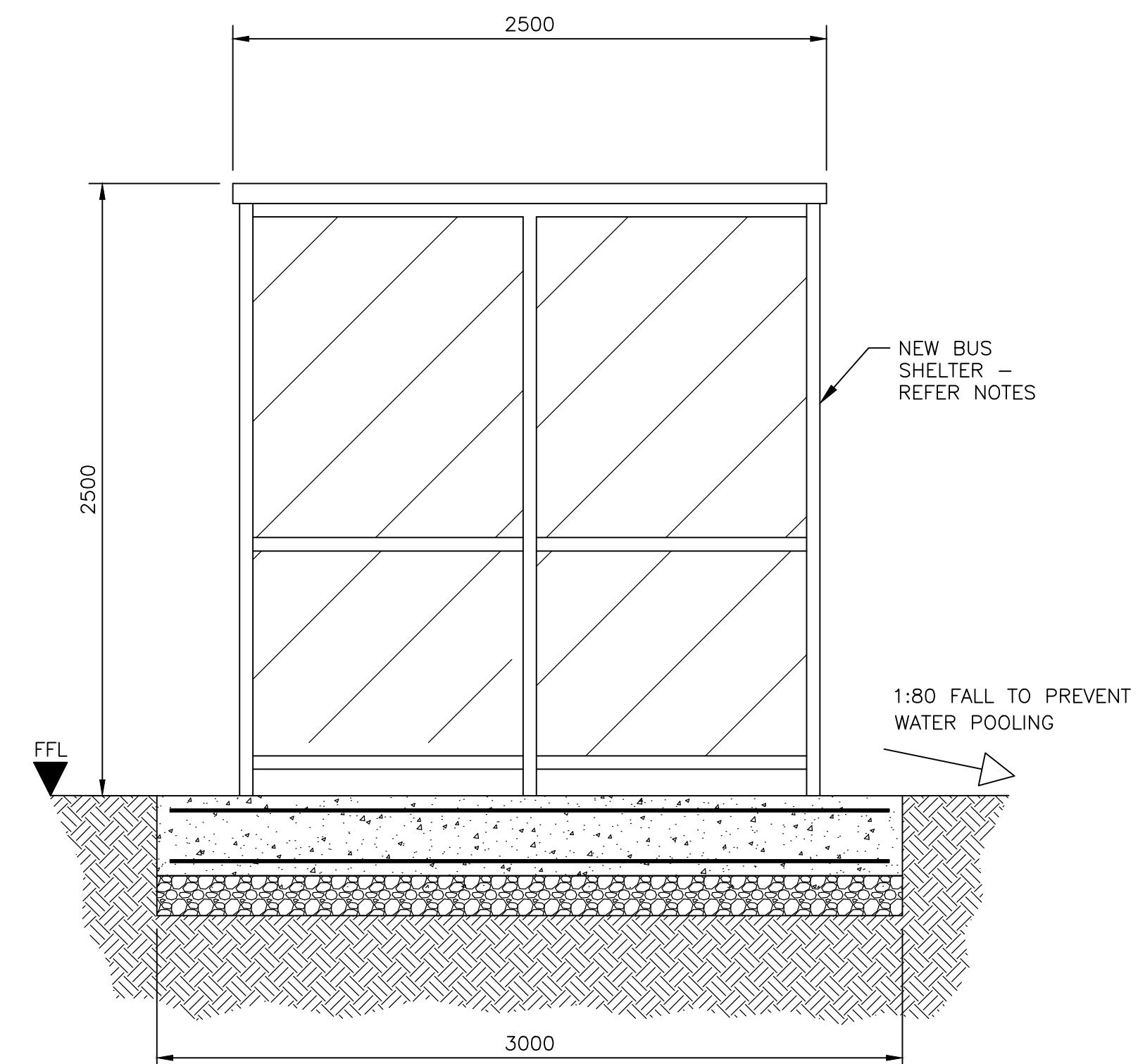


SECTION A-A



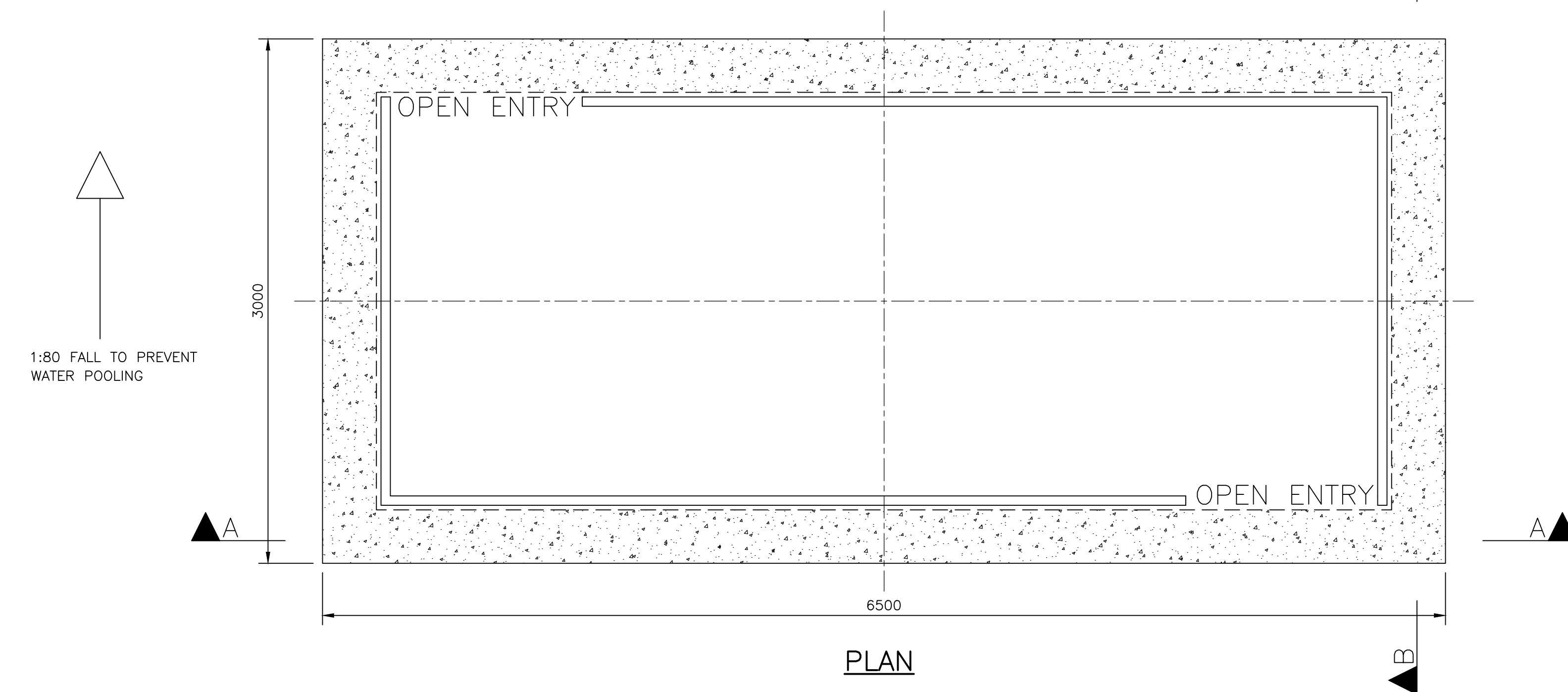
SECTION B-B

SHELTER

SPECIFICATION:


- GLASDON - CARLETON - NON STANDARD SHELTER
- 5x2 WAITING SHELTER, SUPPLIED FULLY ASSEMBLED, COMPLETE WITH 2 DIAGONAL ENTRY POINTS AS SHOWN, CLEAR TOUGHENED GLASS, UPPER AND LOWER PANELS, NATURAL ANODISED ALUMINIUM FRAMEWORK, FLAT ROOF AND TIMETABLE BOARD
- SUPPLIED AS STANDARD WITH ADJUSTABLE SPIGOTED LEGS FOR SURFACE FIXING
- FRAMEWORK - VERTICAL 50x50mm ALUMINIUM SECTION, HORIZONTAL 38x38mm ALUMINIUM SECTION - COLOUR - NATURAL ANODISED ALUMINIUM
- ROOF - 33mm THICK COMPOSITE PANEL - COLOUR - ALASKA GREY RAL. 7000.
- GLAZING - 6mm CLEAR TOUGHENED GLASS UPPER AND LOWER PANELS.

SHELTER TO BE FIXED TO BASE USING ANCHORS SUPPLIED BY GLASDON FOLLOWING THEIR INSTALLATION METHOD.



PLAN



Mod.		Date :		Mod.		Date :		Mod. A		Date : 29/01/2024		Security Class		 <p>Sellafeld Ltd Hinton House, Birchwood Park Avenue Risley, Warrington WA3 6GR</p>		<p>MAIN GATE BUS LANE WORKS NEW BUS SHELTERS STANDARD DETAIL</p>							
FOR EXTERNAL USE										Copyright NDA 2023. This document contains proprietary information for use in association with the Sellafeld M&O contract. Permission to copy, or use the information for any other purpose, should be sought from the Intellectual Property Manager, Sellafeld Ltd.		System No.								Clients Drg. No.			
Name		Drawn		Checked		Lvl.		Approved		Name		Drawn		Checked		Lvl.		Approved		Drg. No. 1 BE 3145637		Mod. A	
Signature		Signature		Signature		Signature		Signature		Signature		Signature		Signature		Signature		Signature		Plant Area		Clients Proj. No.	
Signature		Signature		Signature		Signature		Signature		Signature		Signature		Signature		Signature		Signature		Plant Title		Security Class	
Signature		Signature		Signature		Signature		Signature		Signature		Signature		Signature		Signature		Signature		Plant Item No.		Security Class	