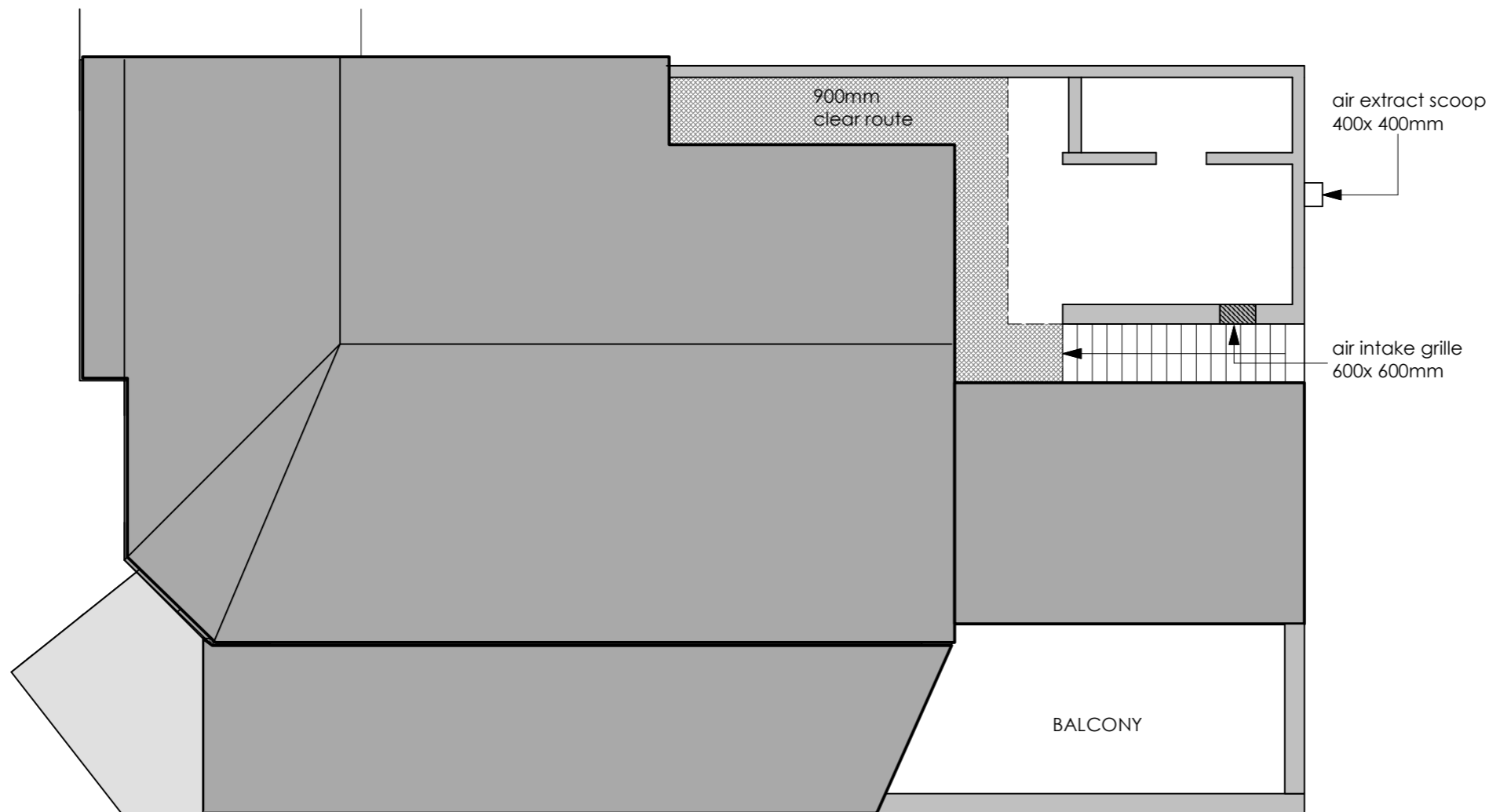
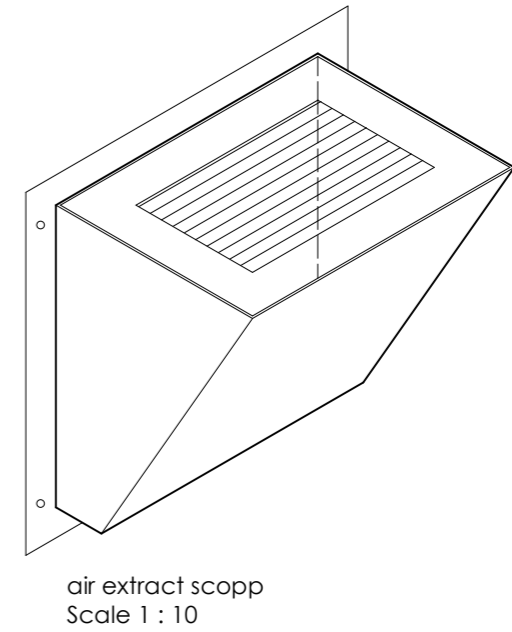


PROPOSED SOUTH (TO LANE) ELEVATION



ROOF PLAN

Issue -

PLANNING

Client -

Mawson Ice Cream

Project -

New Cafe / Shop / Soft play

Location / Postcode / what3words

10/11 South Parade, Seascale
slant.remains.plantings

Drawing Title - As Proposed Kitchen Extract

Job No - 1369	Dwg No - 07	Rev :
DATE : 19 Dec 2023	SCALE : 1: 100	Paper A1



E - greenswallow@btinternet.com
M - 07970 96 41 84

Registered Office : Green Swallow North Limited,
Swallow Barn, Blindcrake, Cumbria, CA13 0QP

ALL DIMENSIONS TO BE CHECKED ON SITE
FIGURED DIMENSIONS TO BE TAKEN IN PREFERENCE
TO SCALED DIMENSIONS
copyright Green Swallow North Limited