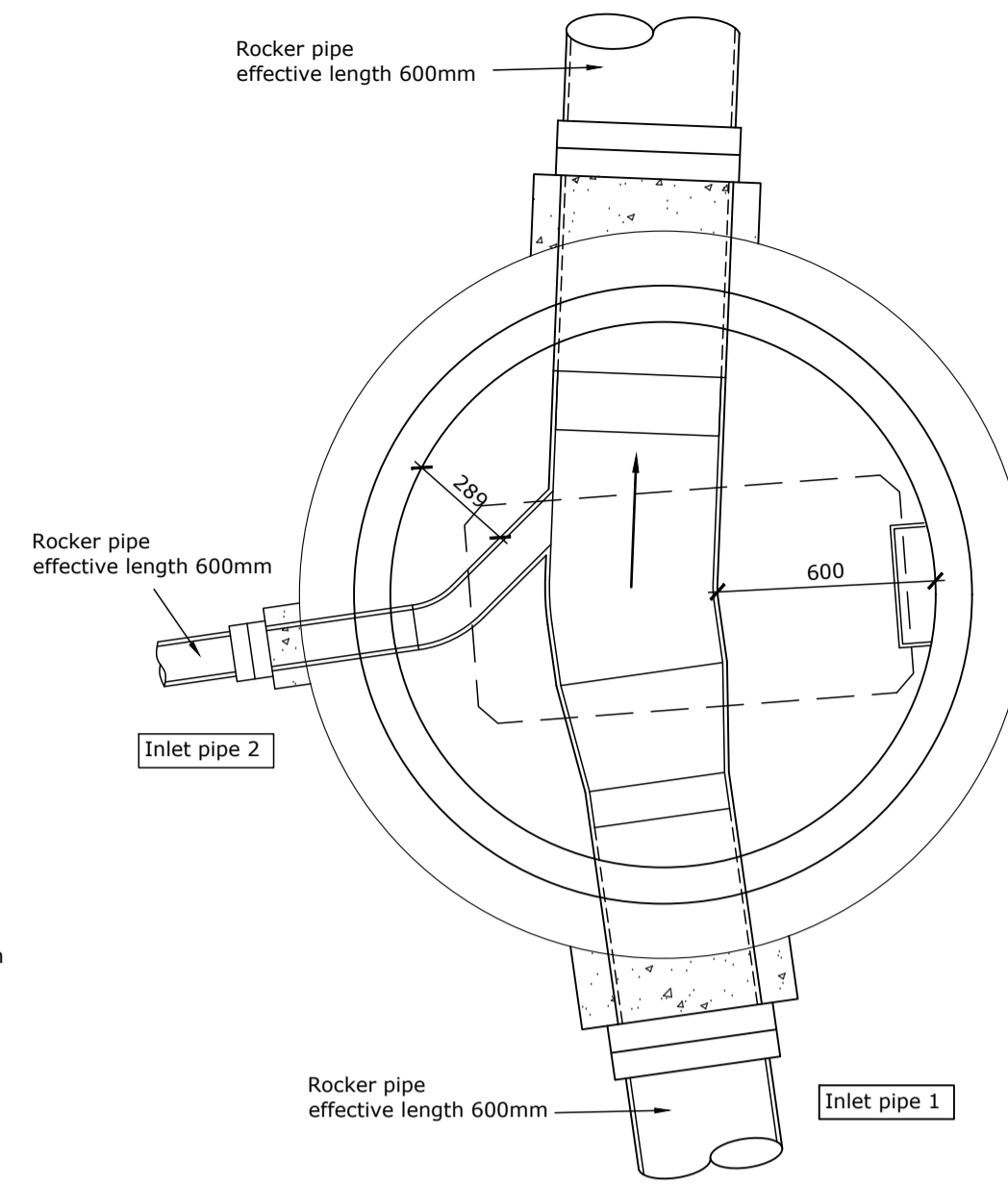
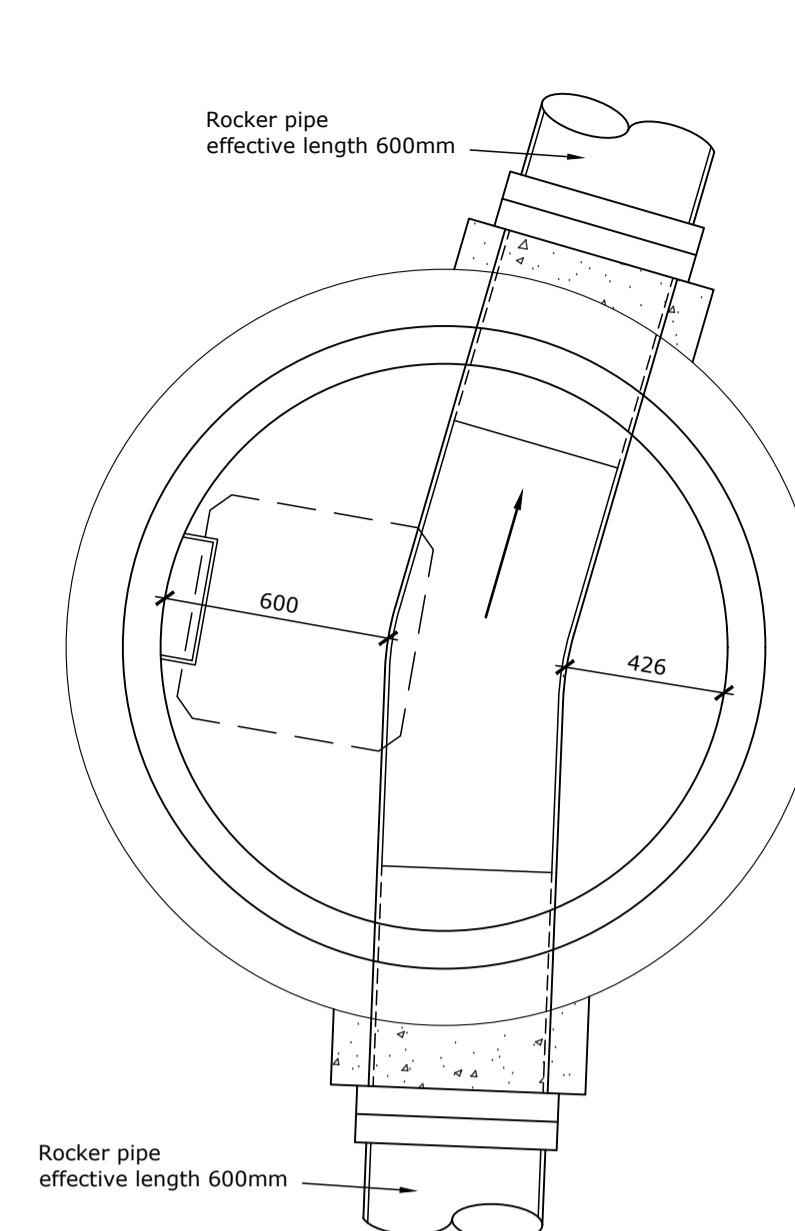


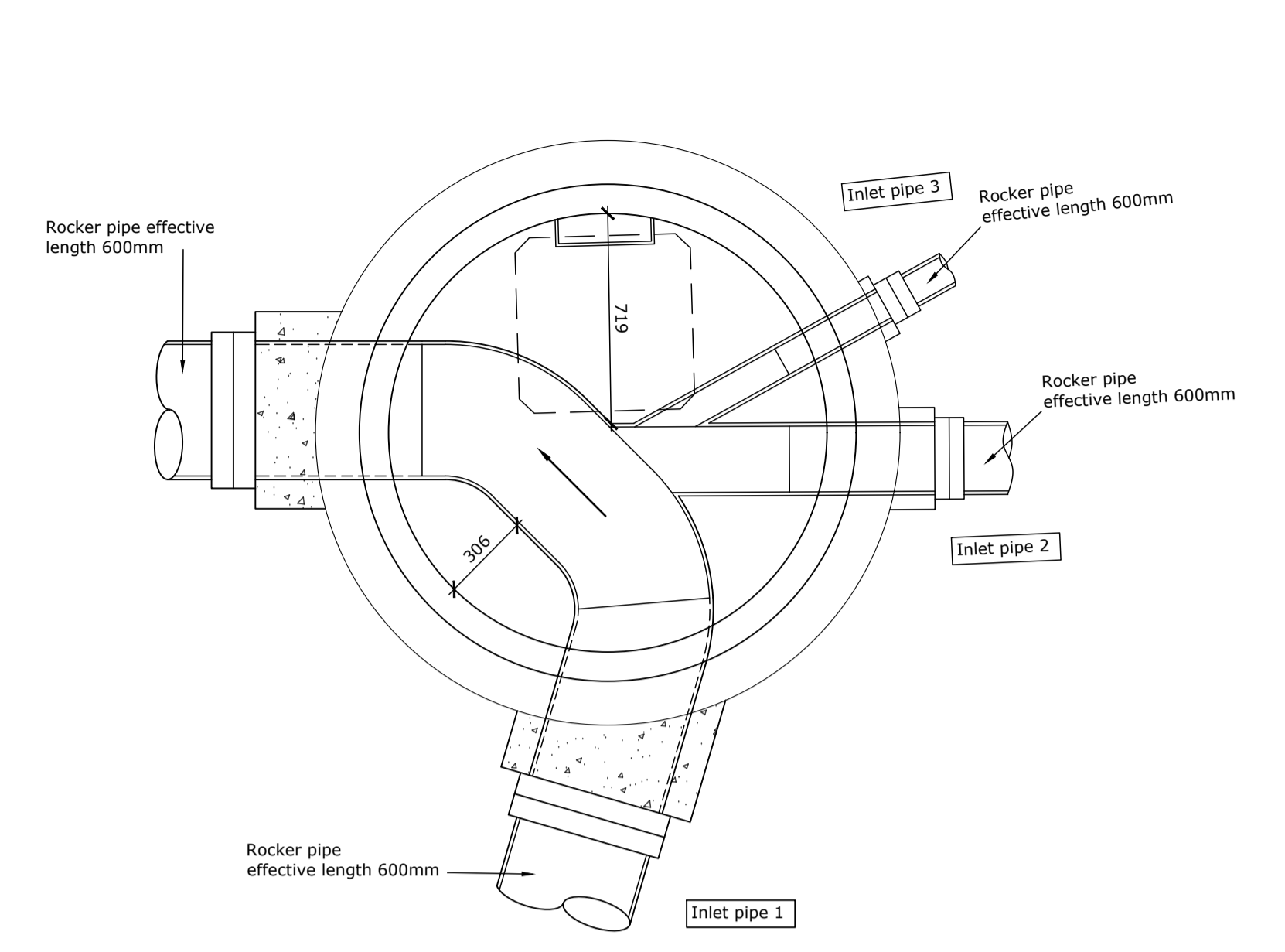
Manhole Reference	S1
Manhole Type	Type 4
MH Internal Dia	1500mm
Cover Level	134.800
Invert Level	133.225
Depth to Invert	1.575m
Depth to Soffit	1.200m
Inlet pipe dia 1	225Ø
Inlet pipe dia 2	150Ø
Inlet pipe dia 3	100Ø
Outlet pipe dia	375Ø
Cover Slab	Heavy Duty
Cover Slab Opening	1200 x 675mm
Cover Size	1200 x 675mm
Cover Grade	D400
Ladder or Double Steps?	Double Steps
Channels	Plain Ended Clay Channel Formers by Hepworth, or similar approved.
Taper Pieces in channels	Yes



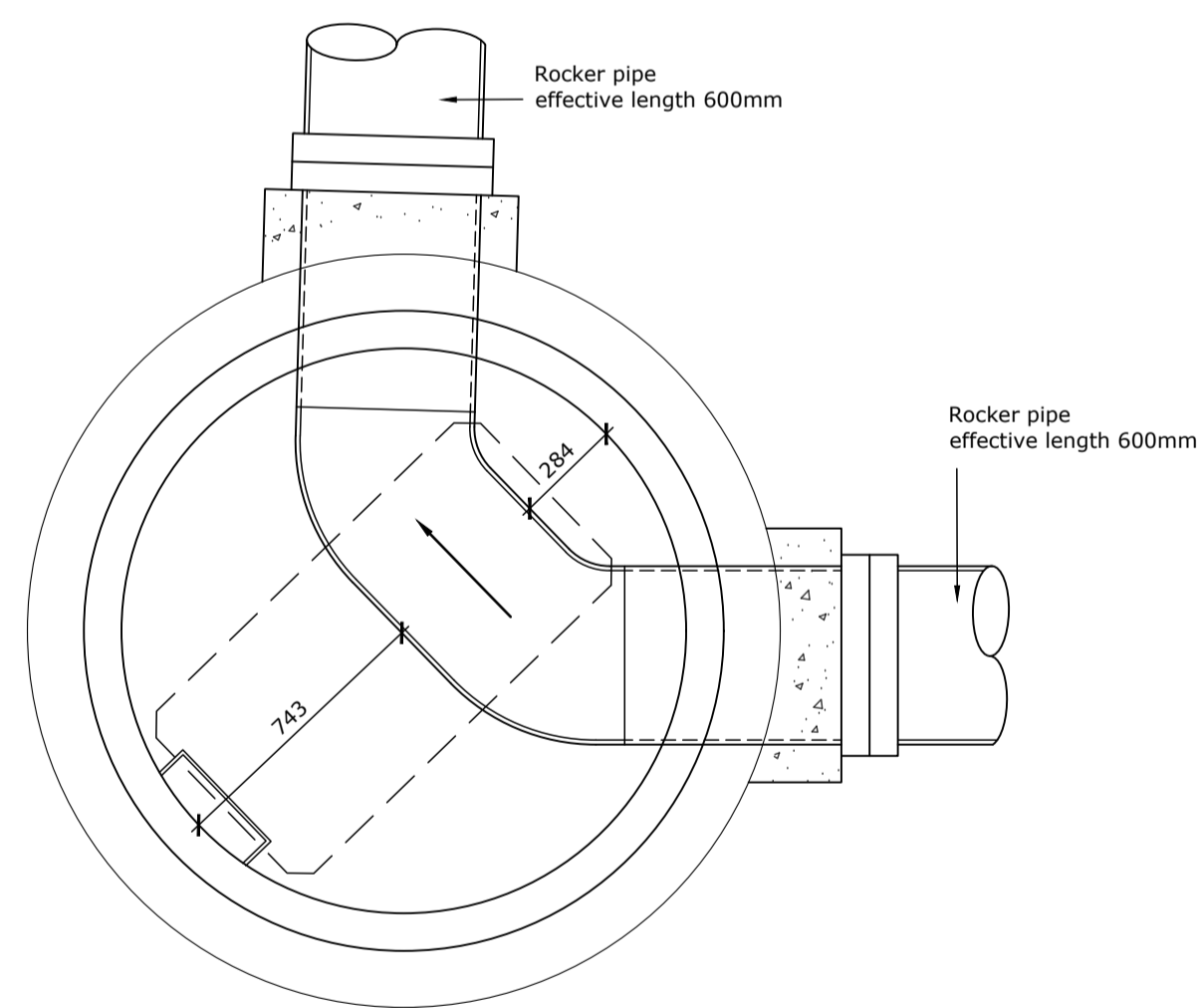
Manhole Reference	S2
Manhole Type	Type 4
MH Internal Dia	1500mm
Cover Level	134.848
Invert Level	132.976
Depth to Invert	1.872m
Depth to Soffit	1.422m
Inlet pipe dia 1	375Ø
Inlet pipe dia 2	100Ø
Outlet pipe dia	450Ø
Cover Slab	Heavy Duty
Cover Slab Opening	1200 x 675mm
Cover Size	1200 x 675mm
Cover Grade	D400
Ladder or Double Steps?	Double Steps
Channels	Plain Ended Clay Channel Formers by Hepworth, or similar approved.
Taper Pieces in channels	Yes



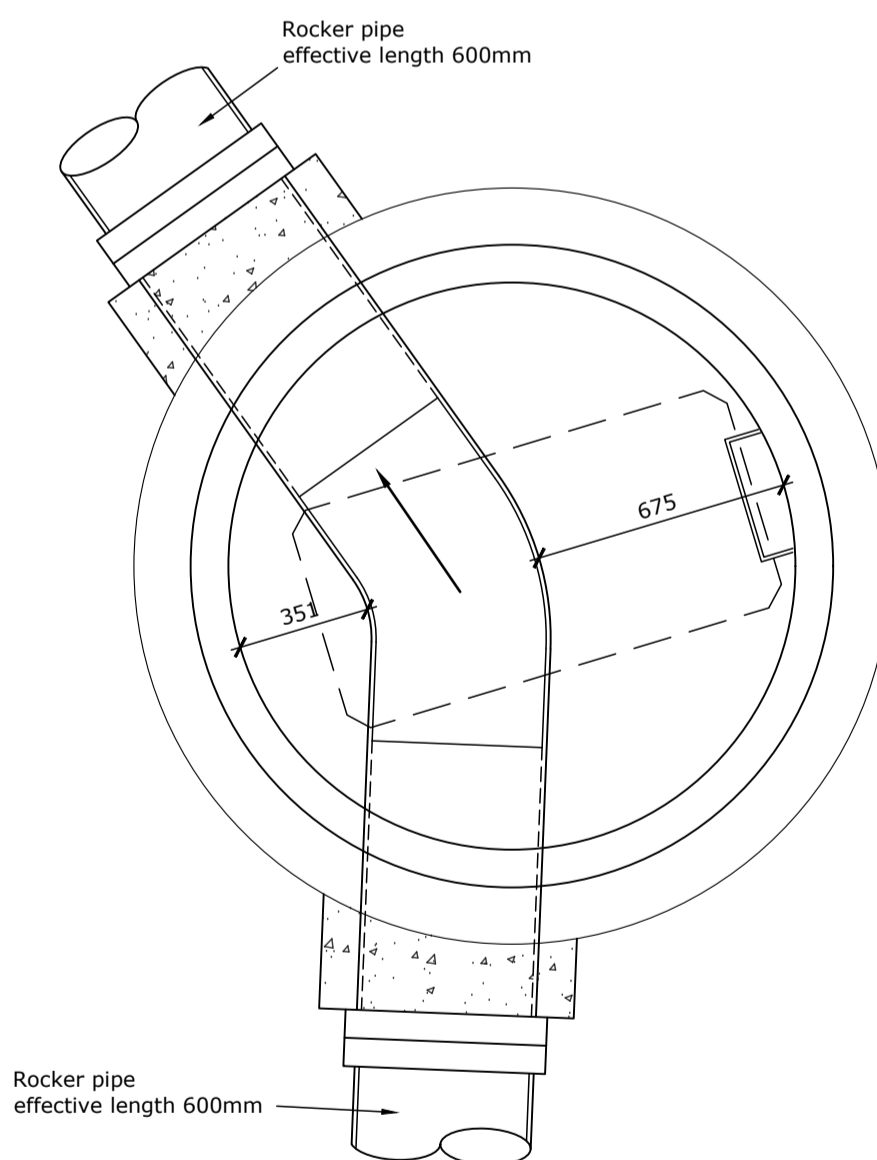
Manhole Reference	S3
Manhole Type	Type 1
MH Internal Dia	1500mm
Cover Level	134.989
Invert Level	132.842
Depth to Invert	2.147m
Depth to Soffit	1.697m
Inlet pipe dia	450Ø
Outlet pipe dia	450Ø
Cover Slab	Heavy Duty
Cover Slab Opening	750 x 600mm
Cover Size	600 x 600mm
Cover Grade	D400
Ladder or Double Steps?	Double Steps
Channels	Plain Ended Clay Channel Formers by Hepworth, or similar approved.
Taper Pieces in channels	No



Manhole Reference	S4
Manhole Type	Type 1
MH Internal Dia	1500mm
Cover Level	135.350
Invert Level	132.709
Depth to Invert	2.641m
Depth to Soffit	2.191m
Inlet pipe dia 1	450Ø
Inlet pipe dia 2	225Ø
Inlet pipe dia 3	100Ø
Outlet pipe dia	450Ø
Cover Slab	Heavy Duty
Cover Slab Opening	750 x 600mm
Cover Size	600 x 600mm
Cover Grade	D400
Ladder or Double Steps?	Double Steps
Channels	Plain Ended Clay Channel Formers by Hepworth, or similar approved.
Taper Pieces in channels	No



Manhole Reference	S5
Manhole Type	Type 4
MH Internal Dia	1500mm
Cover Level	133.675
Invert Level	132.325
Depth to Invert	1.350m
Depth to Soffit	0.900m
Inlet pipe dia 1	450Ø
Outlet pipe dia	450Ø
Cover Slab	Heavy Duty
Cover Slab Opening	1200 x 675mm
Cover Size	1200 x 675mm
Cover Grade	A15
Ladder or Double Steps?	Double Steps
Channels	Plain Ended Clay Channel Formers by Hepworth, or similar approved.
Taper Pieces in channels	No



Manhole Reference	S6
Manhole Type	Type 4
MH Internal Dia	1500mm
Cover Level	133.500
Invert Level	132.033
Depth to Invert	1.467m
Depth to Soffit	1.017m
Inlet pipe dia	450Ø
Outlet pipe dia	450Ø
Cover Slab	Heavy Duty
Cover Slab Opening	1200 x 675mm
Cover Size	1200 x 675mm
Cover Grade	A15
Ladder or Double Steps?	Double Steps
Channels	Plain Ended Clay Channel Formers by Hepworth, or similar approved.
Taper Pieces in channels	No

All Adoptable drainage shall be constructed in accordance with United Utilities Standard details, and all corresponding approved drawings.

Revision Notes
A 14/03/22 Amended for latest drainage layout

Preliminary

Suitability
--

Project
Residential Development at School Brow, Moresby Parks
Client
Raemore Developments Limited

Drawing
Adoptable Surface Water Manhole Base Details

Project no	6972	Drawing no	206	Date	May 21	Rev	AC	Scale	A	1:20	Sheet	A1
------------	------	------------	-----	------	--------	-----	----	-------	---	------	-------	----

TWEDDELL & SLATER CONSULTING CIVIL & STRUCTURAL ENGINEERS	Tweddell & Slater Ltd Unit 2, Mereside Eden Business Park Penrith, Cumbria, CA11 9PB Tel: 01768 865400	Tweddell & Slater North East Ltd 20 Harriet Place Richmond North Yorkshire, DL10 4QG Tel: 01748 503162
	Email: mail@tscotd.com Web: www.tscotd.com	