

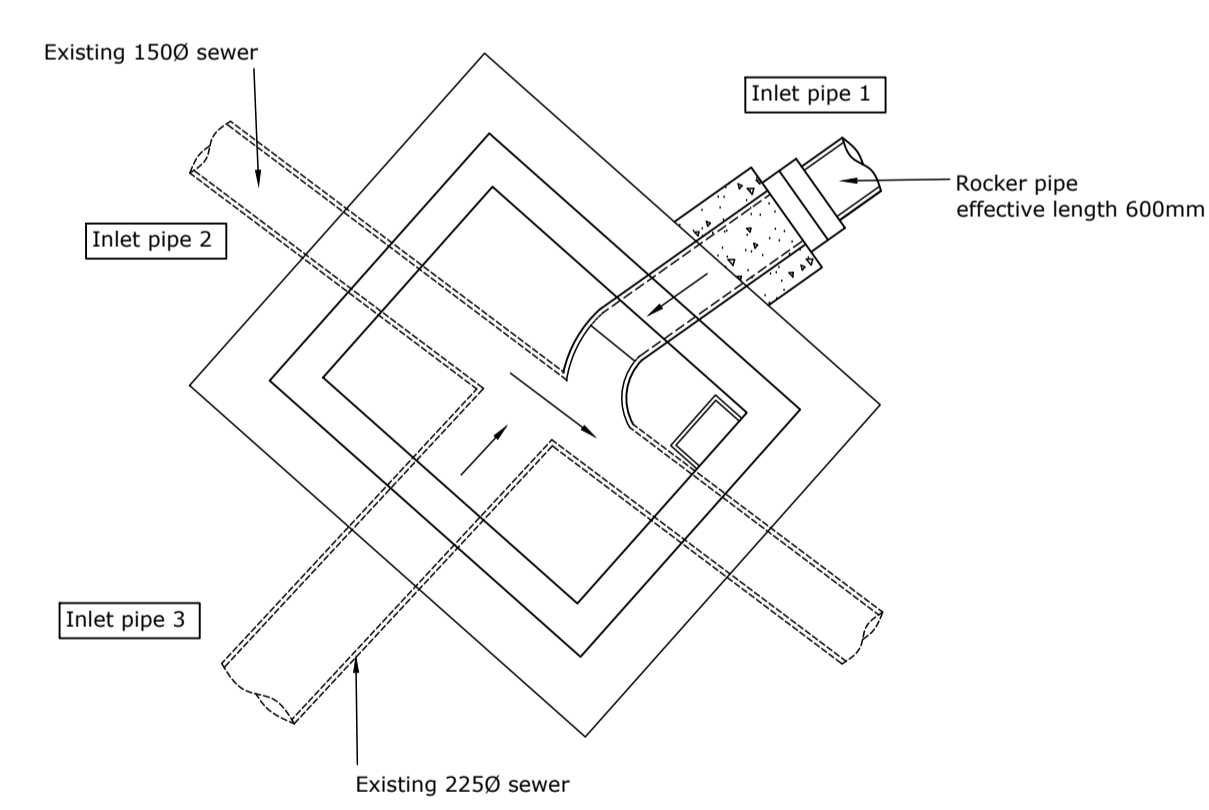
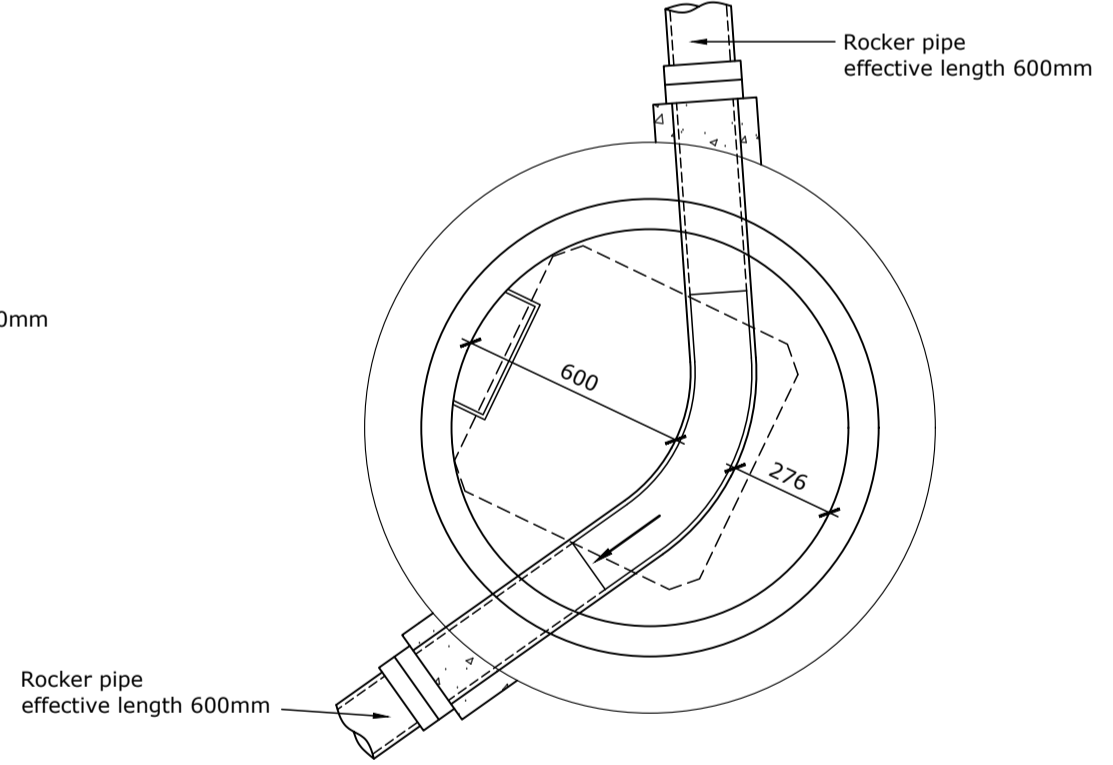
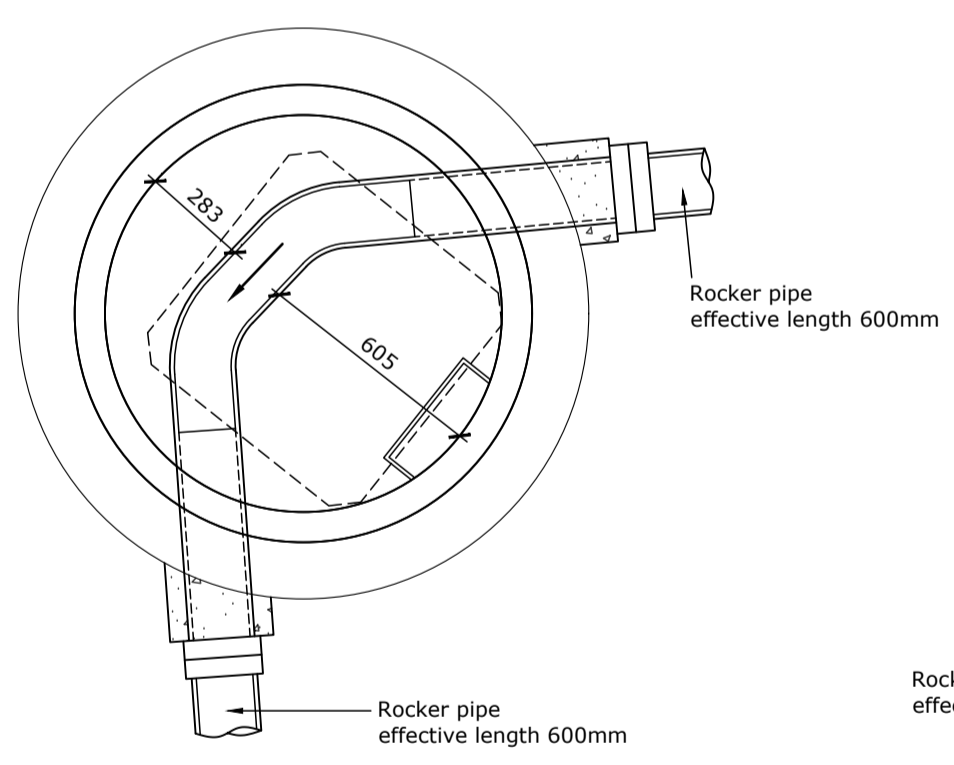
Manhole Reference	F1
Manhole Type	Type 4
MH Internal Dia	1200mm
Cover Level	135.330
Invert Level	133.800
Depth to Invert	1.530m
Depth to Soffit	1.380m
Inlet pipe dia 1	1000
Inlet pipe dia 2	1000
Inlet pipe dia 3	1000
Inlet pipe dia 4	1000
Outlet pipe dia	1500
Cover Slab	Heavy Duty
Cover Slab Opening	750 x 750mm
Cover Size	750 x 750mm
Cover Grade	D400
Ladder or Double Steps?	Double Steps
Channels	Plain Ended Clay Channel Formers by Hepworth, or similar approved.
Taper Pieces in channels	Yes

Manhole Reference	F2
Manhole Type	Type 4
MH Internal Dia	1050mm
Cover Level	135.040
Invert Level	133.615
Depth to Invert	1.425m
Depth to Soffit	1.275m
Inlet pipe dia	1500
Outlet pipe dia	1500
Cover Slab	Heavy Duty
Cover Slab Opening	750 x 750mm
Cover Size	750 x 750mm
Cover Grade	D400
Ladder or Double Steps?	Double Steps
Channels	Plain Ended Clay Channel Formers by Hepworth, or similar approved.
Taper Pieces in channels	No

Manhole Reference	F3
Manhole Type	Type 4
MH Internal Dia	1050mm
Cover Level	134.797
Invert Level	133.417
Depth to Invert	1.380m
Depth to Soffit	1.230m
Inlet pipe dia 1	1500
Inlet pipe dia 2	1000
Outlet pipe dia	1500
Cover Slab	Heavy Duty
Cover Slab Opening	750 x 750mm
Cover Size	750 x 750mm
Cover Grade	D400
Ladder or Double Steps?	Double Steps
Channels	Plain Ended Clay Channel Formers by Hepworth, or similar approved.
Taper Pieces in channels	No

Manhole Reference	F4
Manhole Type	Type 4
MH Internal Dia	1050mm
Cover Level	134.747
Invert Level	133.275
Depth to Invert	1.472m
Depth to Soffit	1.322m
Inlet pipe dia 1	1500
Inlet pipe dia 2	1000
Outlet pipe dia	1500
Cover Slab	Heavy Duty
Cover Slab Opening	750 x 750mm
Cover Size	750 x 750mm
Cover Grade	D400
Ladder or Double Steps?	Double Steps
Channels	Plain Ended Clay Channel Formers by Hepworth, or similar approved.
Taper Pieces in channels	No

Manhole Reference	F5
Manhole Type	Type 1
MH Internal Dia	1050mm
Cover Level	135.094
Invert Level	133.195
Depth to Invert	1.899m
Depth to Soffit	1.749m
Inlet pipe dia 1	1500
Inlet pipe dia 2	1000
Outlet pipe dia	1500
Cover Slab	Heavy Duty
Cover Slab Opening	750 x 750mm
Cover Size	750 x 750mm
Cover Grade	D400
Ladder or Double Steps?	Double Steps
Channels	Plain Ended Clay Channel Formers by Hepworth, or similar approved.
Taper Pieces in channels	No



Manhole Reference	F6
Manhole Type	Type 4
MH Internal Dia	1050mm
Cover Level	133.700
Invert Level	132.350
Depth to Invert	1.350m
Depth to Soffit	1.200m
Inlet pipe dia	1500
Outlet pipe dia	1500
Cover Slab	Heavy Duty
Cover Slab Opening	750 x 750mm
Cover Size	750 x 750mm
Cover Grade	A15
Ladder or Double Steps?	Double Steps
Channels	Plain Ended Clay Channel Formers by Hepworth, or similar approved.
Taper Pieces in channels	No

Manhole Reference	F7
Manhole Type	Type 4
MH Internal Dia	1050mm
Cover Level	133.500
Invert Level	132.096
Depth to Invert	1.404m
Depth to Soffit	1.254m
Inlet pipe dia	1500
Outlet pipe dia	1500
Cover Slab	Heavy Duty
Cover Slab Opening	750 x 750mm
Cover Size	750 x 750mm
Cover Grade	D400
Ladder or Double Steps?	Double Steps
Channels	Plain Ended Clay Channel Formers by Hepworth, or similar approved.
Taper Pieces in channels	No

Manhole Reference	F8
Manhole Type	As existing
MH Internal Dia	As existing
Cover Level	133.500
Invert Level	131.860
Depth to Invert	1.640m
Depth to Soffit	1.415m
Inlet pipe dia 1	1500
Inlet pipe dia 2	1500
Inlet pipe dia 3	2250
Outlet pipe dia	1500
Cover Slab	As existing
Cover Slab Opening	As existing
Cover Size	As existing
Cover Grade	As existing
Ladder or Double Steps?	As existing
Channels	As existing
Taper Pieces in channels	No

All Adoptable drainage shall be constructed in accordance with United Utilities Standard details, and all corresponding approved drawings.

Revision Notes  
A 16/03/22 Updated as per new drainage layout

# Preliminary

Project  
**Residential Development at School Brow, Moresby Parks**  
Client  
**Raemore Developments Limited**

Drawing  
**Adoptable Foul Water Manhole Base Details**

Project no Drawing no Date Drawn by Rev Scale Sheet  
6972 208 May 21 AC A 1:20 A1

<b>TWEDDELL &amp; SLATER</b> CONSULTING CIVIL & STRUCTURAL ENGINEERS	Tweddell & Slater Ltd Unit 2, Moresby Eden Business Park Moresby, Cumbria, CA11 9PB Tel: 01768 865400	Tweddell & Slater North East Ltd 20 Horncast Place Richmond North Yorkshire, DL10 4QG Tel: 01748 503162
	Email: mail@tsc08td.com Web: www.tsc08td.com	