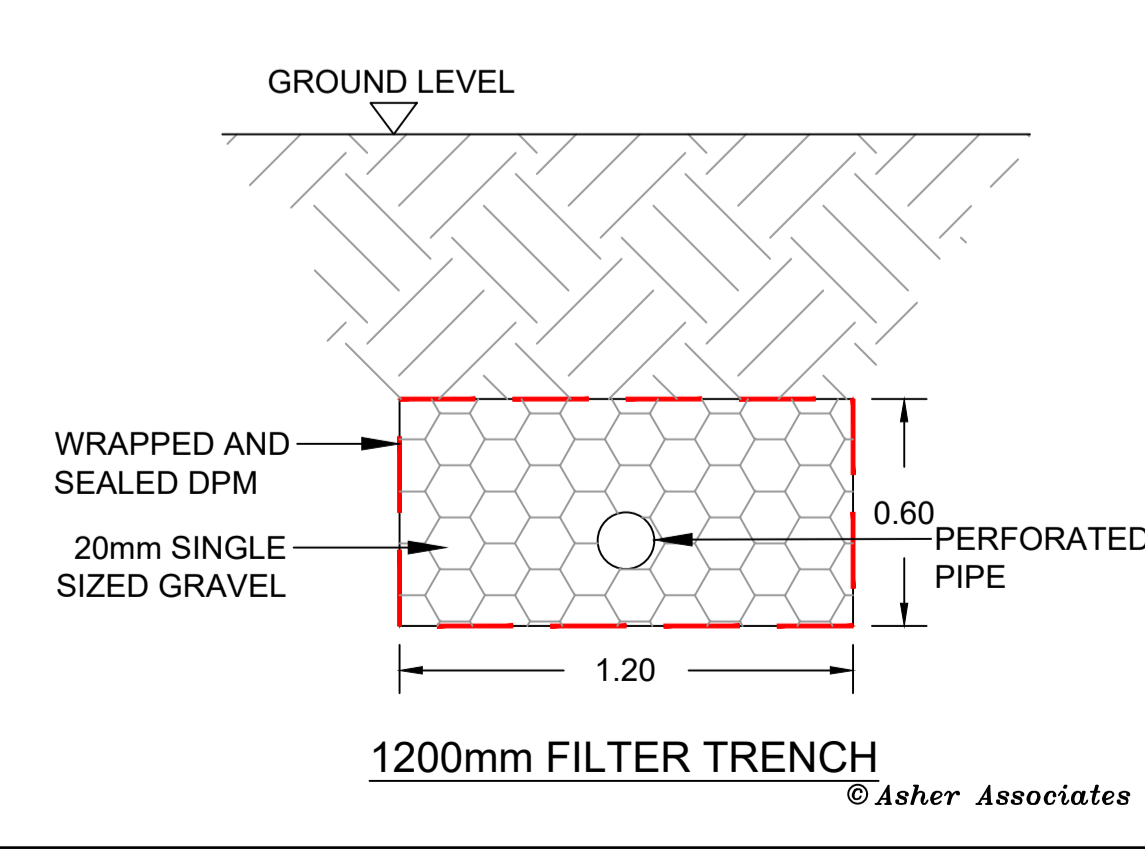
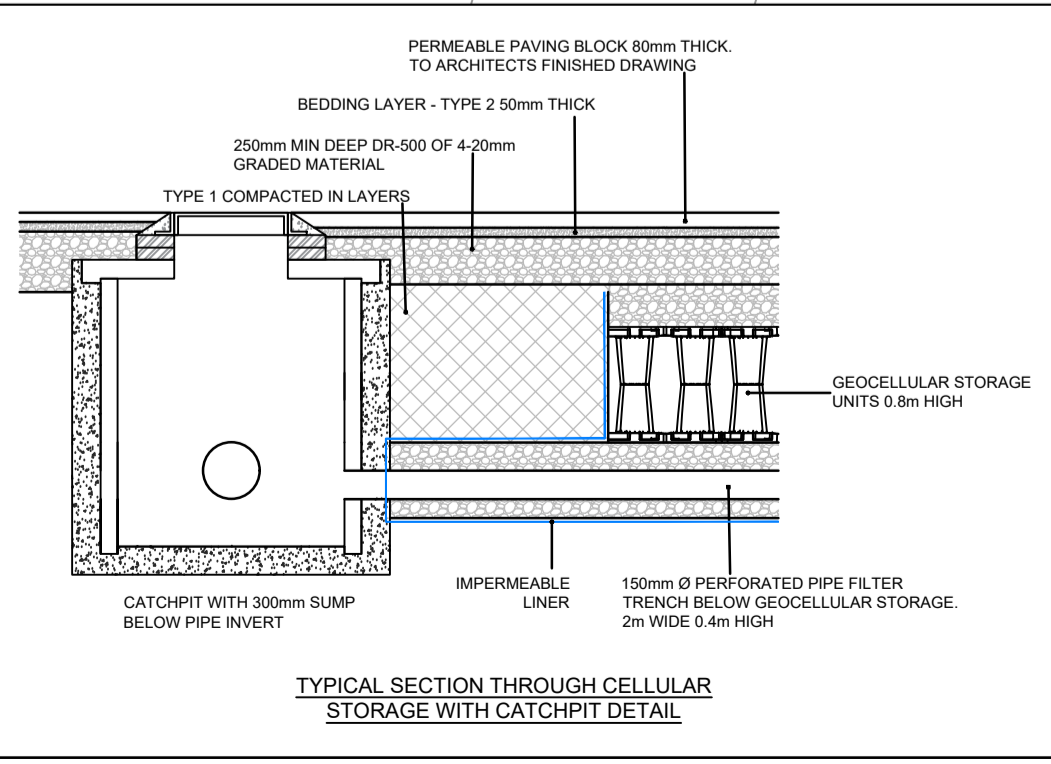
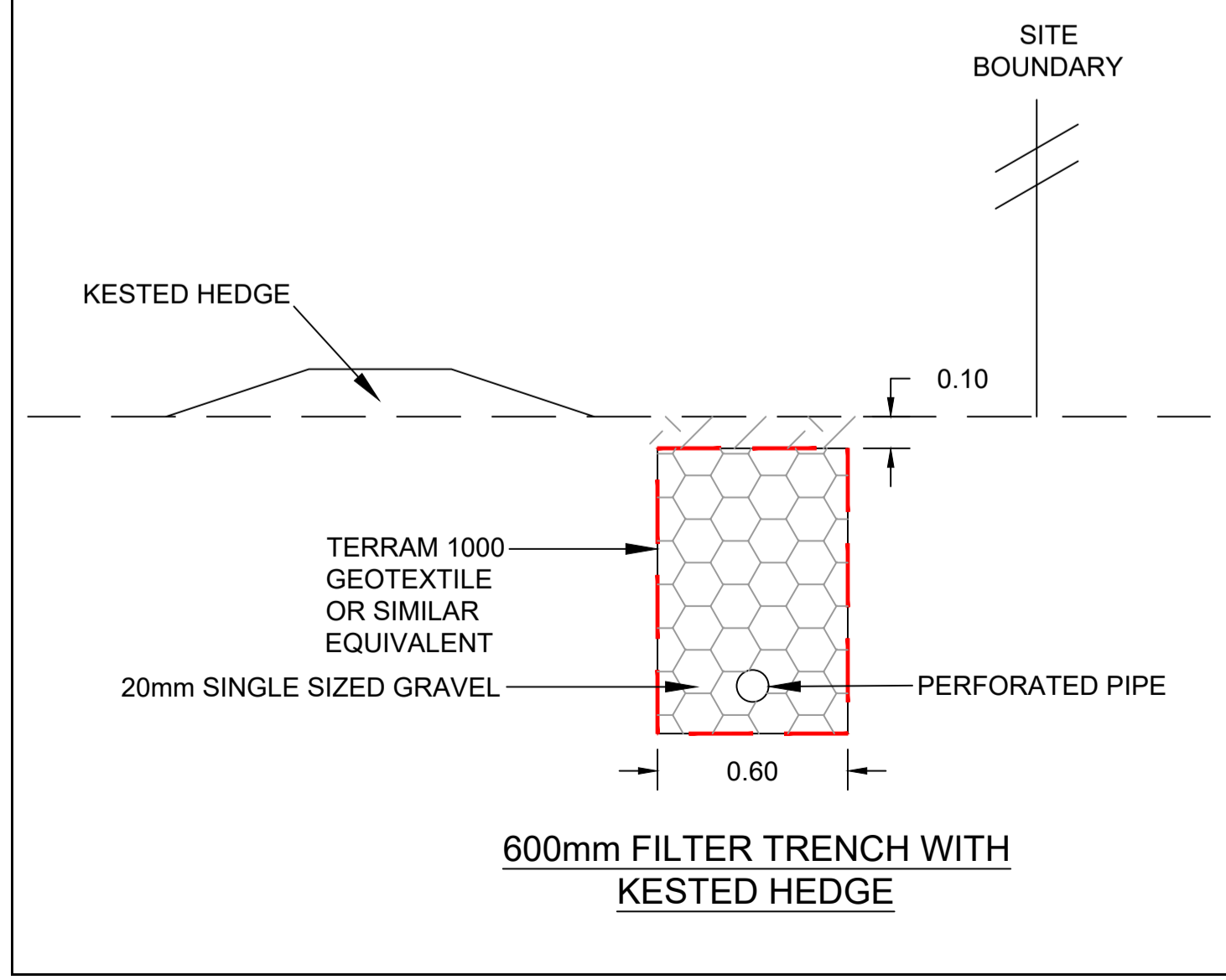
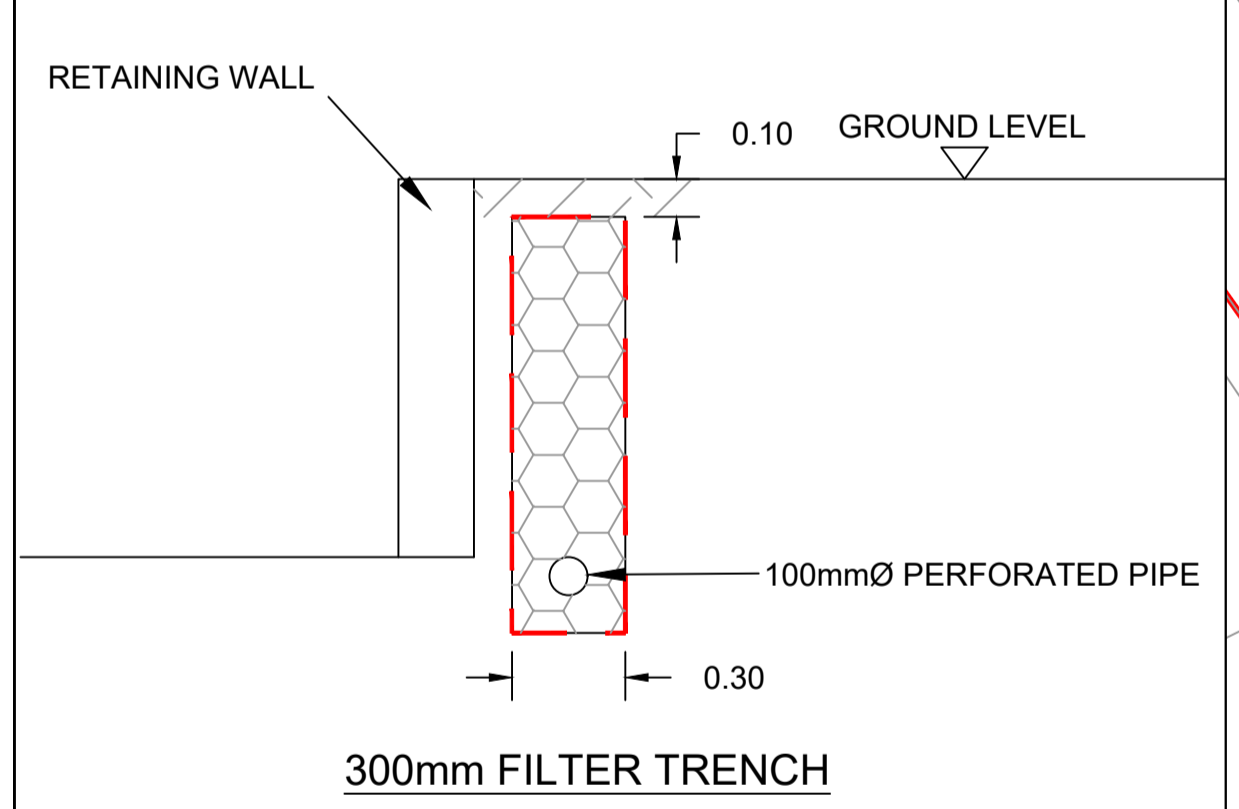
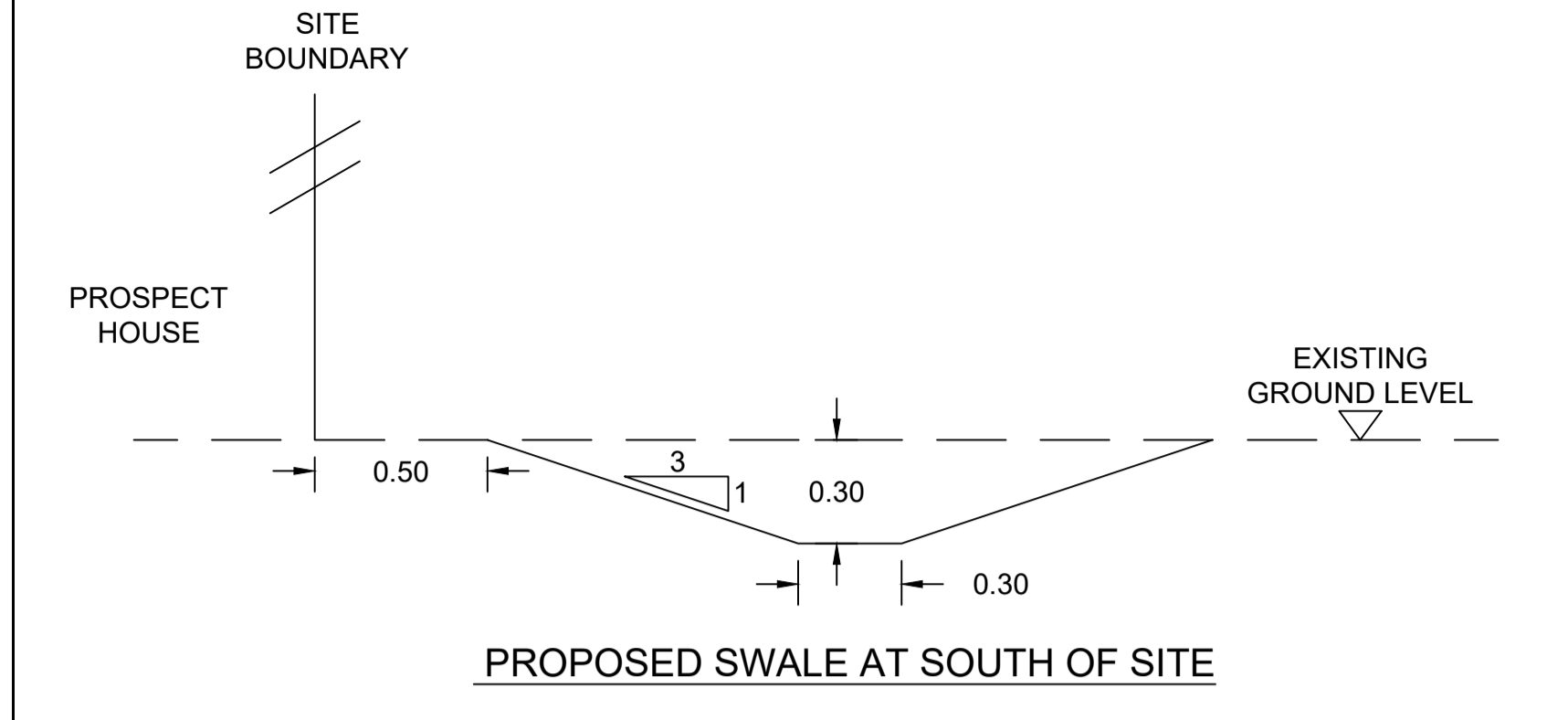


- NOTES.**
- DO NOT SCALE FROM THIS DRAWING.
 - ALL DIMENSIONS ARE IN METRES UNLESS OTHERWISE STATED.
 - ALL MATERIALS AND WORKMANSHIP ARE TO BE IN ACCORDANCE WITH 'SEWERS FOR ADOPTION' (EIGHTH EDITION)
- KEY:**
- PROPOSED SURFACE WATER SEWER
 - PERFORATED PIPE
 - FILTER DRAIN 600mm WIDE
 - FILTER DRAIN 1200mm WIDE
 - FILTER DRAIN 300mm WIDE
 - ON-LINE CELLULAR STORAGE
 - FOUL SEWER
 - CATCHPIT
 - PPIC



Rev.	Amendment	By	Checked	Approved	Date
D	DISCONNECTORS AND GULLIES ADDED; KESTED HEDGE EXTENDED TO KIRKLAND ROAD.	RJ	WAM	WAM	10.08.20
C	SW DRAINAGE REDESIGNED.	RJ	WAM	WAM	22.02.20
B	TYPICAL SWALE DETAIL ADDED; FLOOD ROUTING ADDED; KEY UPDATED; ORIFICE PLATE ADDED; FILTER TRENCHES AND SUDS AREA ADDED.	RJ	WAM	WAM	22.02.20
A	LAYOUT UPDATED AS PER ARCHITECTS DRAWING 1722-PL211 SITE PLAN AS PROPOSED SCHEME 2. EXISTING LAND DRAIN NOTE ADDED.	RJ	WAM	WAM	11.03.20

FOR INFORMATION		Status	Appd.	Date
Client	Genesis Homes Ltd			

GENESIS HOMES Ltd

Project: **PROPOSED HOUSING DEVELOPMENT, KIRKLAND ROAD, ENNERDALE BRIDGE.**

Title: **DRAINAGE LAYOUT**

Drawn	Date	Checked	Date	Approved	Date
RJ	10.08.20	WAM	10.08.20	WAM	10.08.20

Scales: **1:250 @ A1**

Job No. **AA6874**

Client Drawing No. **AA6874/EW/02**

Drawing No. **AA6874/EW/02**

Rev. **D**

asher ASSOCIATES
 CIVIL ENGINEERS
 STRUCTURAL ENGINEERS
 PROJECT MANAGERS
 32 George Street, Dumfries, DG1 1EH
 Tel: 01887 250644 www.asherassociates.co.uk