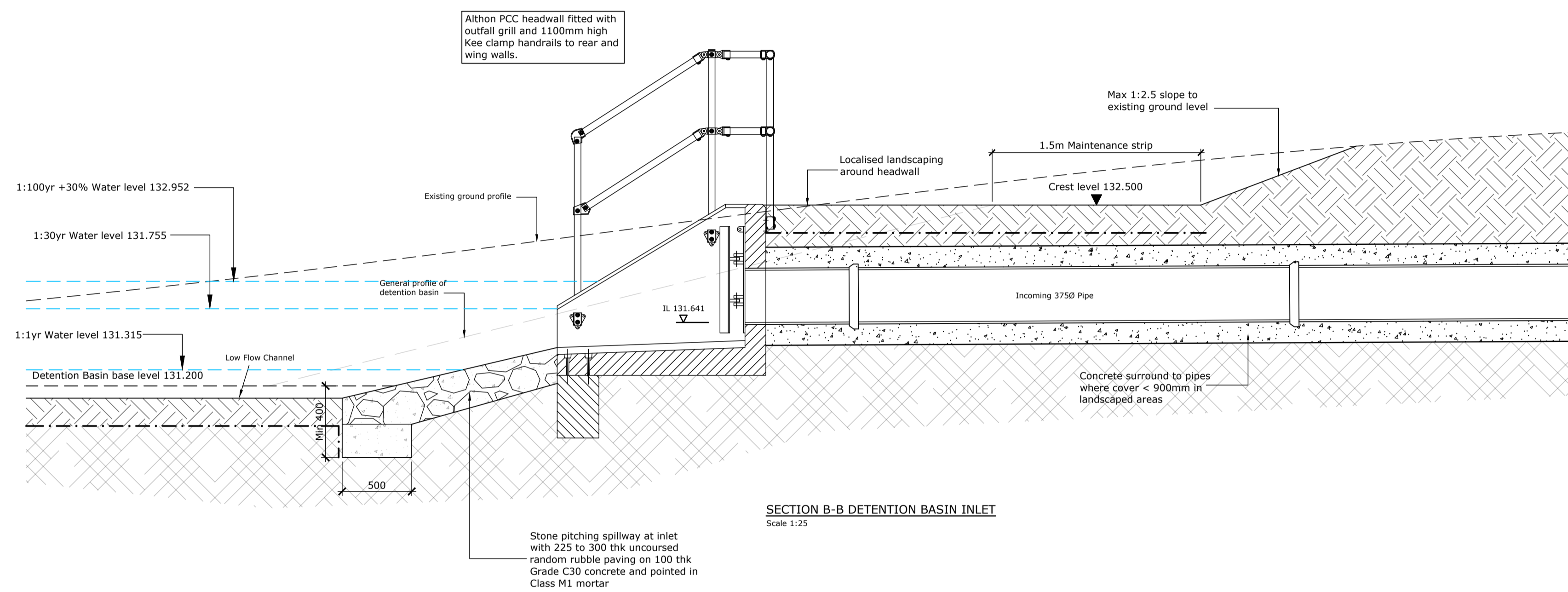
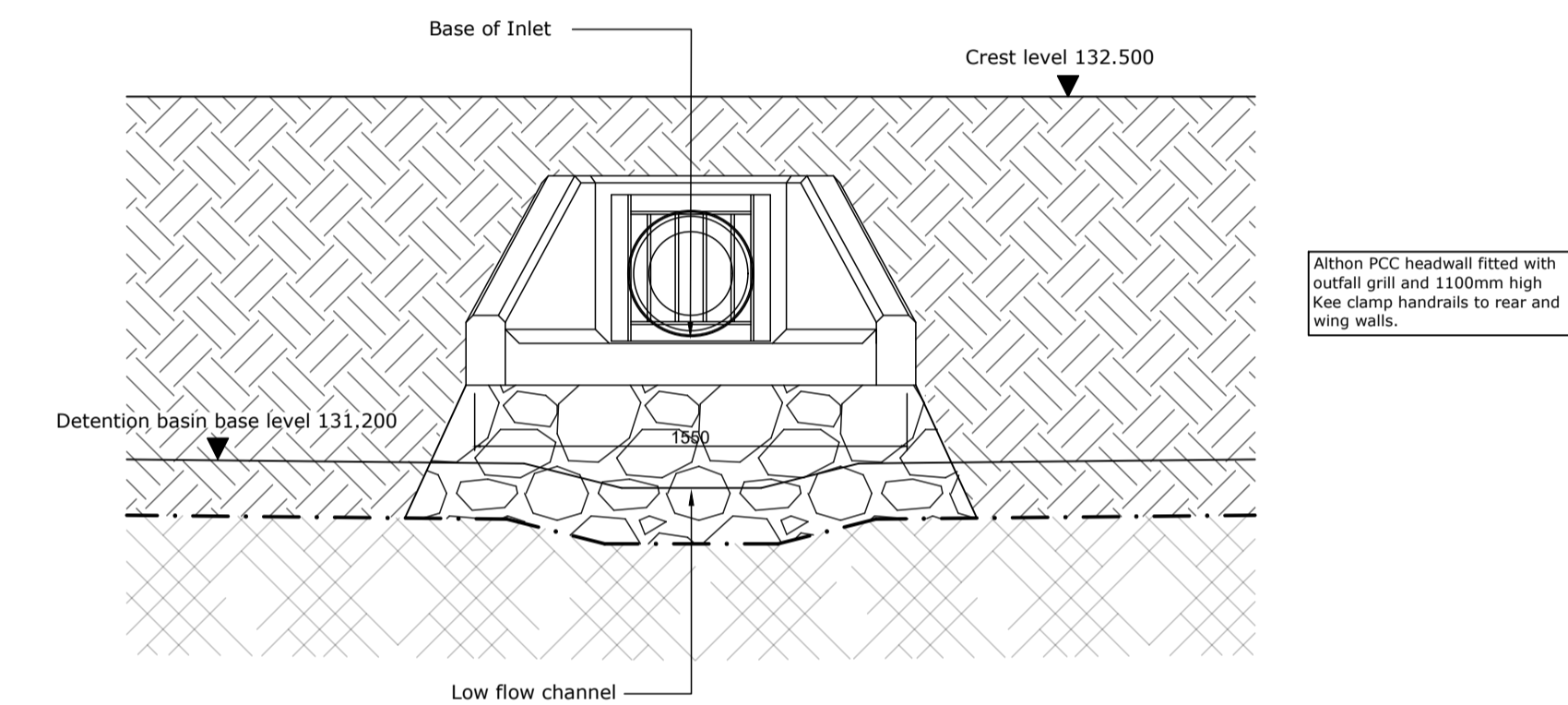


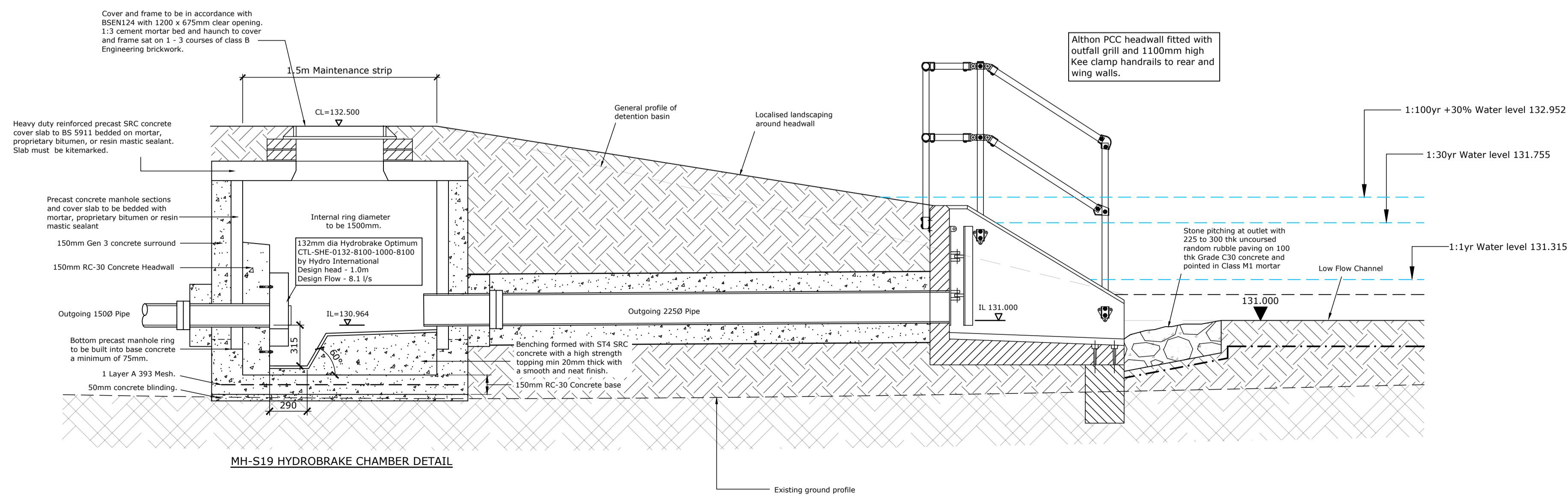
TYPICAL SECTION THROUGH DETENTION BASIN (A-A)  
Scale 1:50



SECTION B-B DETENTION BASIN INLET  
Scale 1:25



ELEVATION ON DETENTION BASIN INLET  
Scale 1:25



MH-S19 HYDROBRAKE CHAMBER DETAIL

SECTION C-C DETENTION BASIN OUTLET  
Scale 1:25

Revisions	Date	Description
A	14/06/21	Updated Sections to Show Low Flow Channel and Updated Hydrobrake (SJ)

# Preliminary

Project  
Residential Development at  
School Brow, Moresby Parks  
Client

## Detention Basin Sections

Project no	Drawing no	Date	Drawn by	Rev	Scale	Sheet
6972	210	May 21	AC	-	1:50, 1:25	A1

<b>TWEDDELL &amp; SLATER</b> CONSULTING CIVIL & STRUCTURAL ENGINEERS Email: mail@tscorb.com Web: www.tscorb.com	<b>Tweddell &amp; Slater Ltd</b> Unit 2, Moresby Eden Business Park Penrith, Cumbria, CA11 9PB Tel: 01768 865400	<b>Tweddell &amp; Slater North East Ltd</b> 20 Harrier Place Richmond North Yorkshire, DL10 4QG Tel: 01748 503162
--	--	---