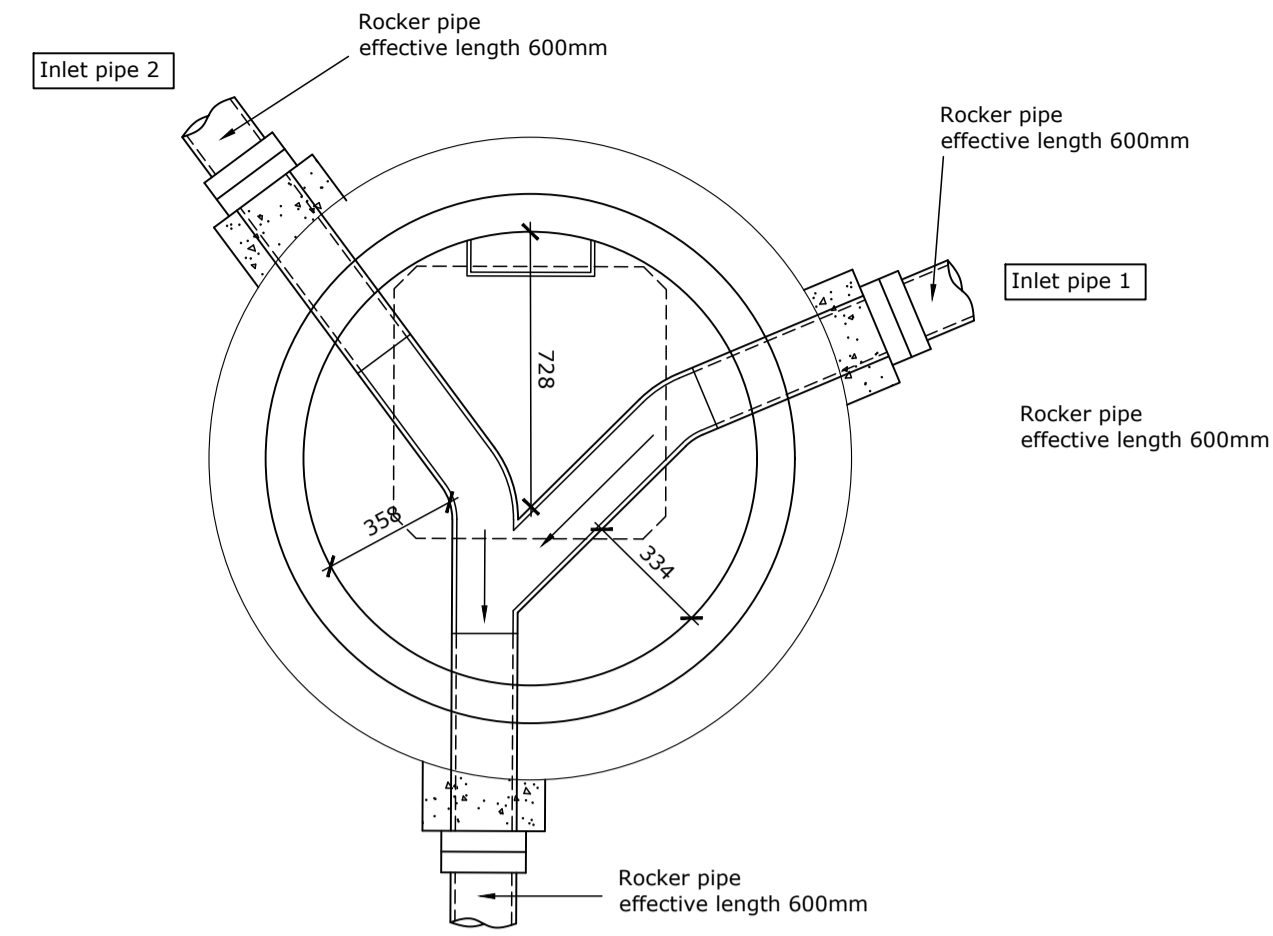
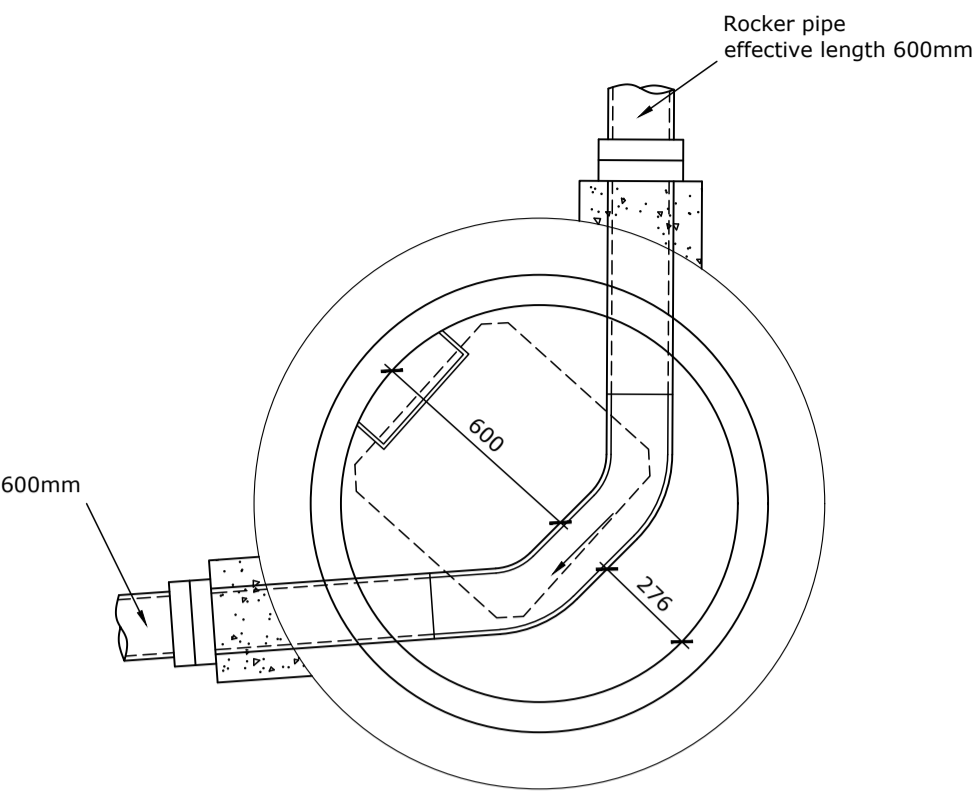


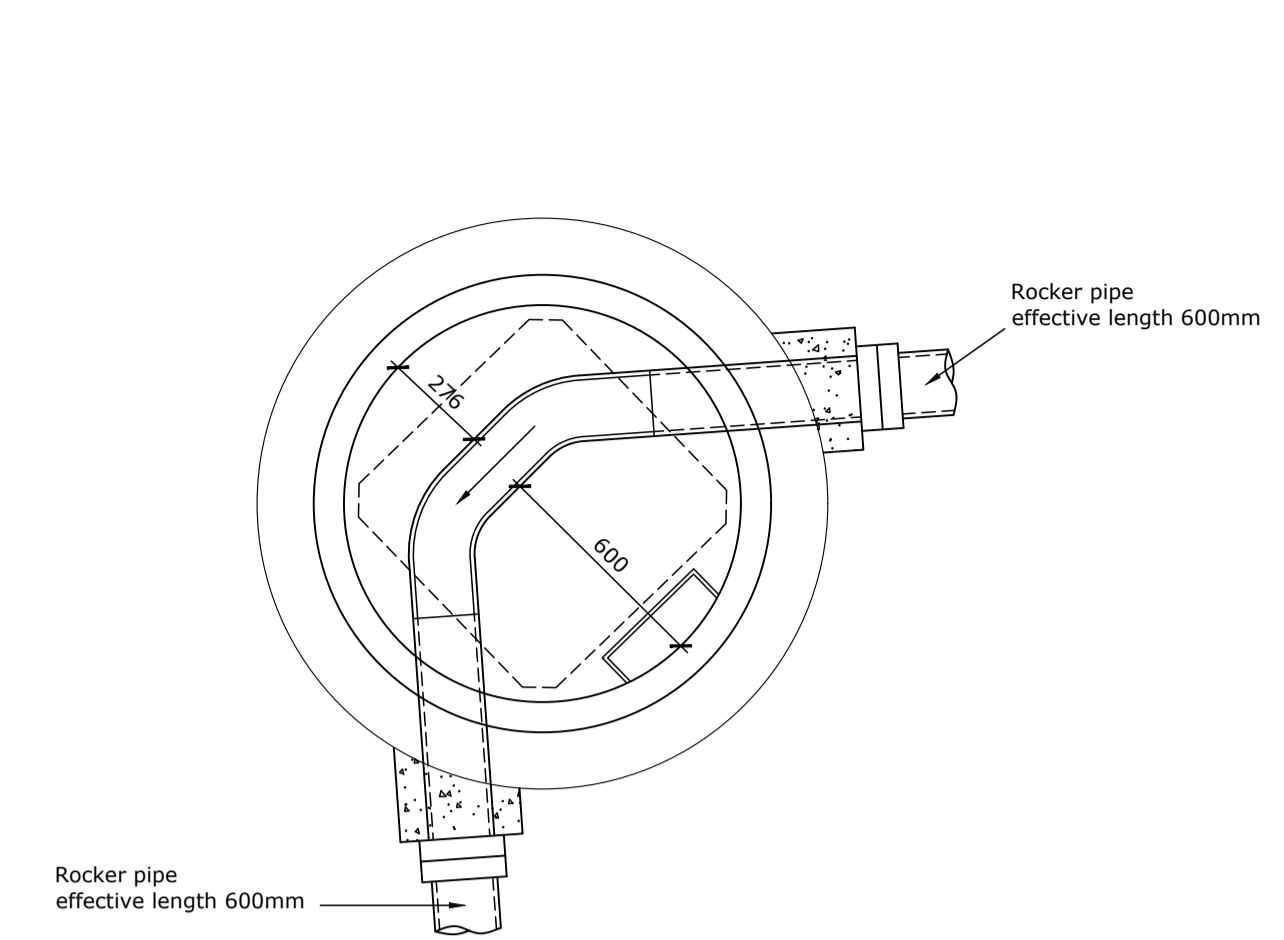
Manhole Reference	F10
Manhole Type	Type 4
MH Internal Dia	1050mm
Cover Level	134.969
Invert Level	133.619
Depth to Invert	1.350m
Depth to Soffit	1.200m
Inlet pipe dia	150Ø
Outlet pipe dia	150Ø
Cover Slab	Heavy Duty
Cover Slab Opening	750 x 750mm
Cover Size	750 x 750mm
Cover Grade	D400
Ladder or Double Steps?	Double Steps
Channels	Plain Ended Clay Channel Formers by Hepworth, or similar approved.
Taper Pieces in channels	No



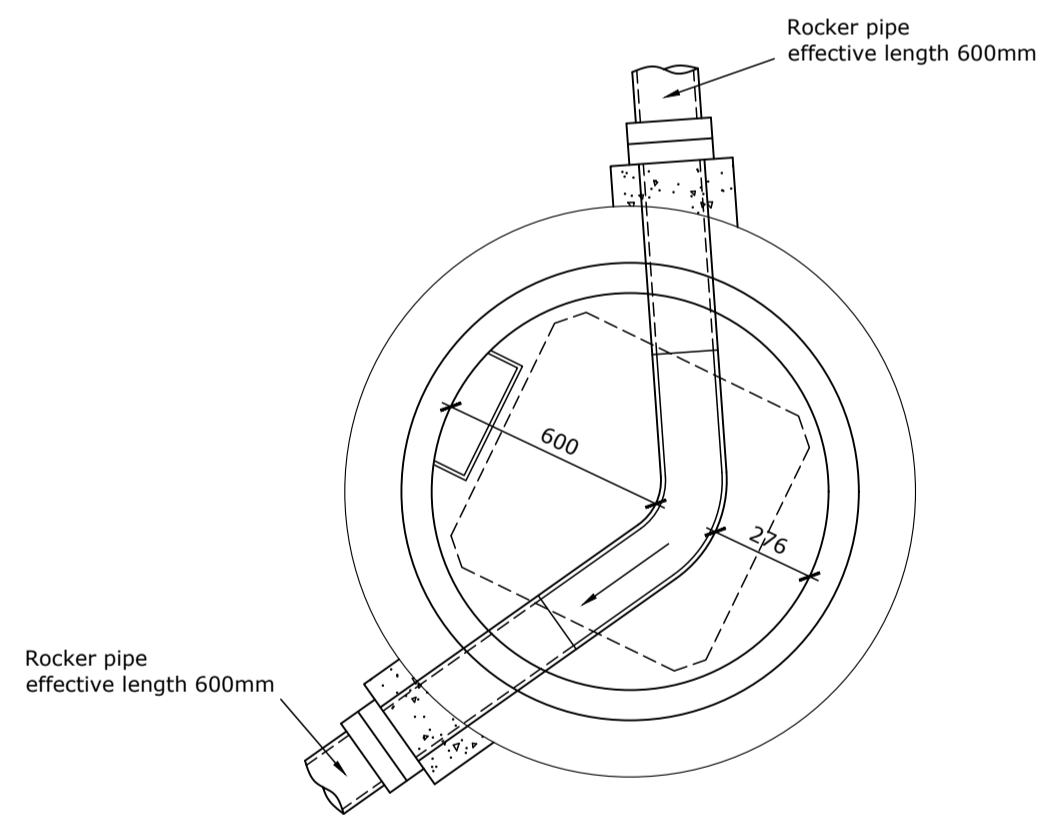
Manhole Reference	F11
Manhole Type	Type 4
MH Internal Dia	1200mm
Cover Level	135.028
Invert Level	133.528
Depth to Invert	1.500m
Depth to Soffit	1.350m
Inlet pipe dia 1	150Ø
Inlet pipe dia 2	150Ø
Outlet pipe dia	150Ø
Cover Slab	Heavy Duty
Cover Slab Opening	750 x 750mm
Cover Size	750 x 750mm
Cover Grade	D400
Ladder or Double Steps?	Double Steps
Channels	Plain Ended Clay Channel Formers by Hepworth, or similar approved.
Taper Pieces in channels	No



Manhole Reference	F12
Manhole Type	Type 1
MH Internal Dia	1050mm
Cover Level	135.279
Invert Level	133.254
Depth to Invert	2.025m
Depth to Soffit	1.875m
Inlet pipe dia	150Ø
Outlet pipe dia	150Ø
Cover Slab	Heavy Duty
Cover Slab Opening	750 x 600mm
Cover Size	600 x 600mm
Cover Grade	D400
Ladder or Double Steps?	Double Steps
Channels	Plain Ended Clay Channel Formers by Hepworth, or similar approved.
Taper Pieces in channels	No



Manhole Reference	F13
Manhole Type	Type 4
MH Internal Dia	1050mm
Cover Level	133.700
Invert Level	132.250
Depth to Invert	1.450m
Depth to Soffit	1.300m
Inlet pipe dia	150Ø
Outlet pipe dia	150Ø
Cover Slab	Heavy Duty
Cover Slab Opening	750 x 750mm
Cover Size	750 x 750mm
Cover Grade	D400
Ladder or Double Steps?	Double Steps
Channels	Plain Ended Clay Channel Formers by Hepworth, or similar approved.
Taper Pieces in channels	No



Manhole Reference	F14
Manhole Type	Type 4
MH Internal Dia	1050mm
Cover Level	133.500
Invert Level	132.096
Depth to Invert	1.404m
Depth to Soffit	1.254m
Inlet pipe dia	150Ø
Outlet pipe dia	150Ø
Cover Slab	Heavy Duty
Cover Slab Opening	750 x 750mm
Cover Size	750 x 750mm
Cover Grade	D400
Ladder or Double Steps?	Double Steps
Channels	Plain Ended Clay Channel Formers by Hepworth, or similar approved.
Taper Pieces in channels	No

All Adoptable drainage shall be constructed in accordance with The Sewer Sector Guidance documents, United Utilities Standard details, and all corresponding approved drawings.

Preliminary

Suitability
--

Project
Residential Development at
School Brow, Moresby Parks
Client

Drawing
Adoptable Foul Water
Manhole Base Details - Sheet 2

Project no	Drawing no	Date	Drawn by	Rev	Scale	Sheet
6972	209	May 21	AC	-	1:20	A1

TWEDDELL & SLATER
CONSULTING
CIVIL & STRUCTURAL
ENGINEERS

Tweddell & Slater Ltd
Unit 2, Moresby
Eden Business Park
Heath, Cumbria, CA11 9PB
Tel: 01768 865400
Email: mail@tsoe06.com
Web: www.tsoe06.com

Tweddell & Slater North East Ltd
20 Market Place
Richmond
North Yorkshire, DL10 4QG
Tel: 01748 503162