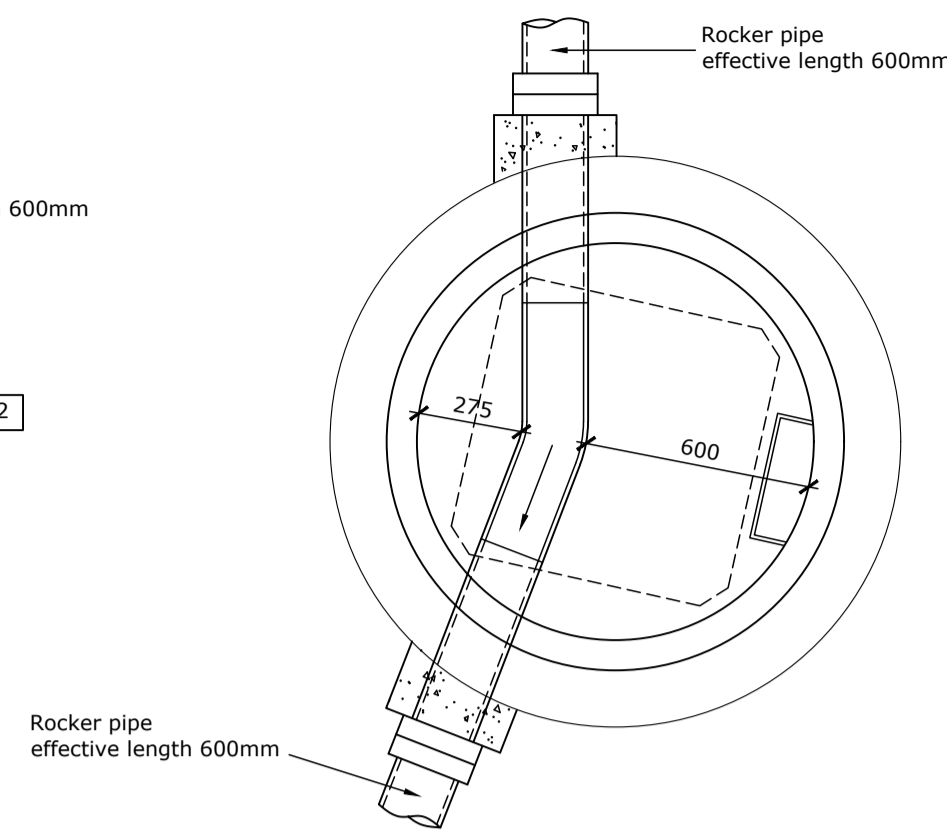
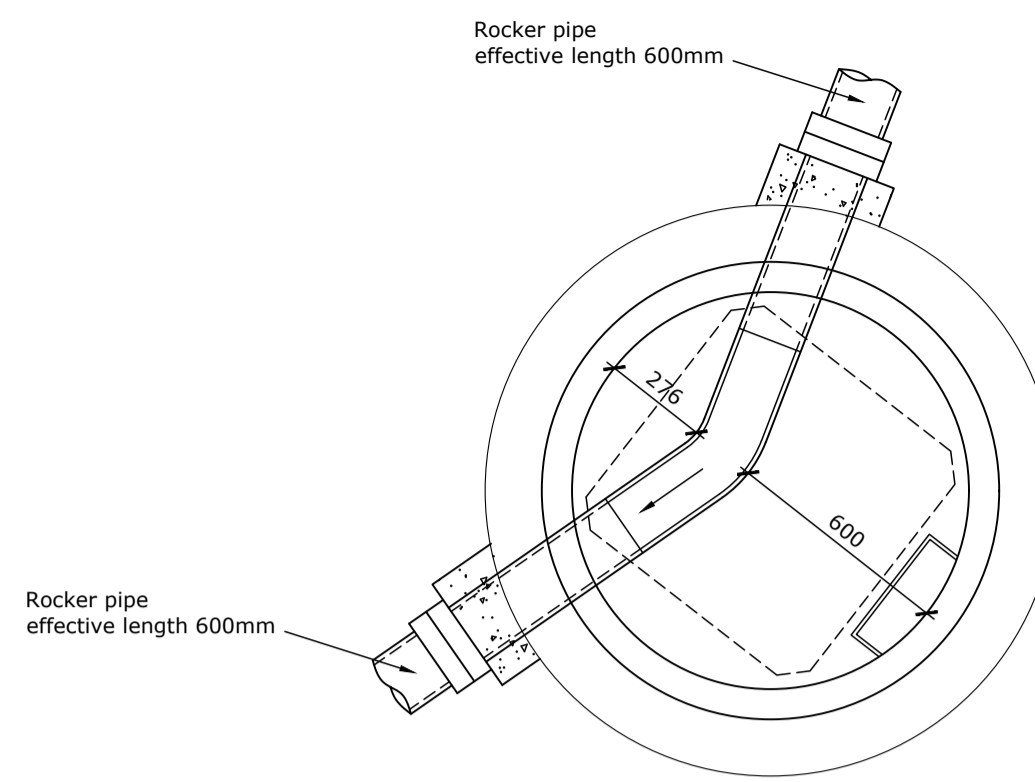


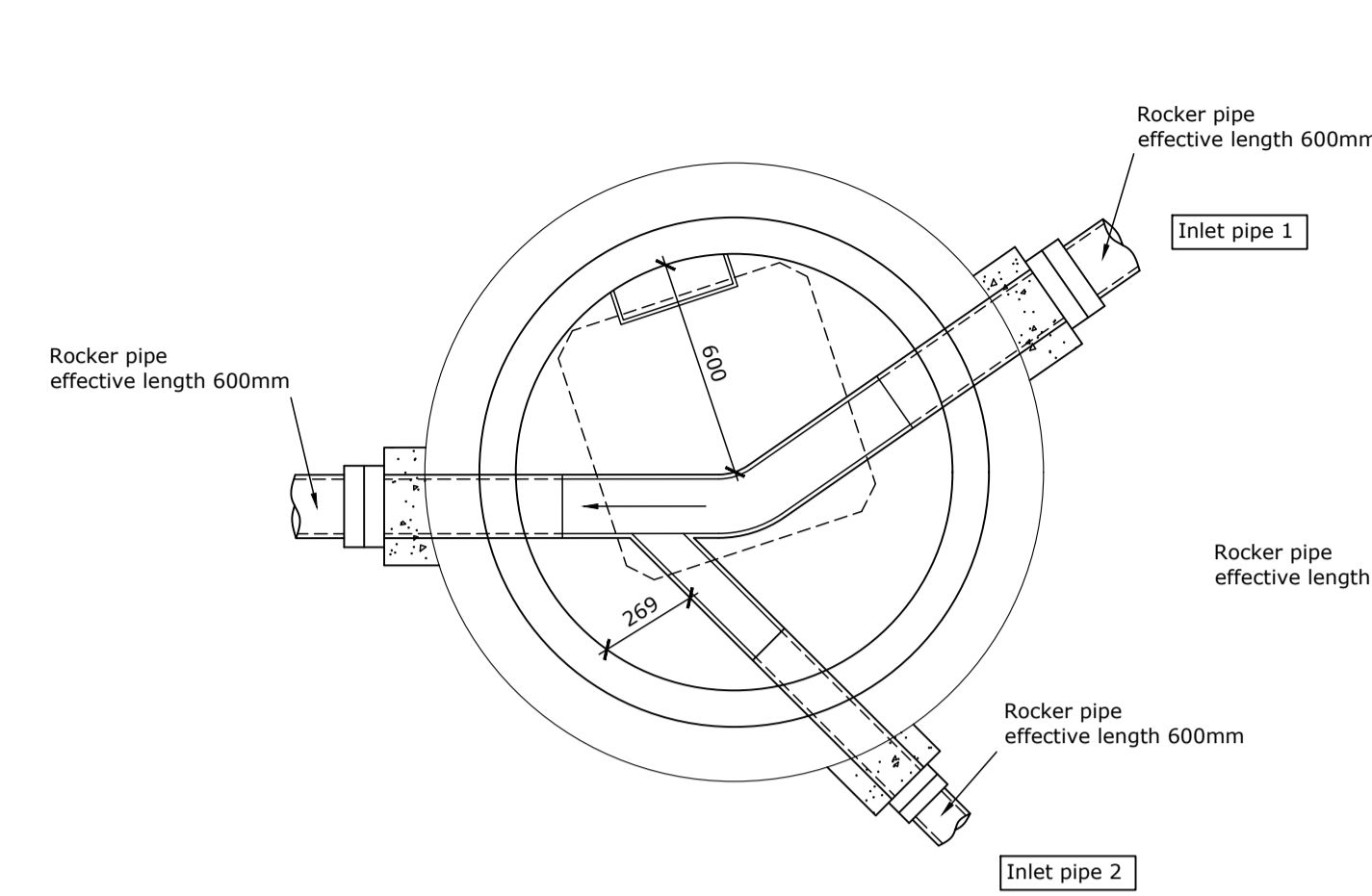
Manhole Reference	F1
Manhole Type	Type 4
MH Internal Dia	1200mm
Cover Level	137.683
Invert Level	136.333
Depth to Invert	1.350m
Depth to Soffit	1.200m
Inlet pipe dia 1	100Ø
Inlet pipe dia 2	100Ø
Outlet pipe dia	150Ø
Cover Slab	Heavy Duty
Cover Slab Opening	750 x 750mm
Cover Size	750 x 750mm
Cover Grade	D400
Ladder or Double Steps?	Double Steps
Channels	Plain Ended Clay Channel Formers by Hepworth, or similar approved.
Taper Pieces in channels	Yes



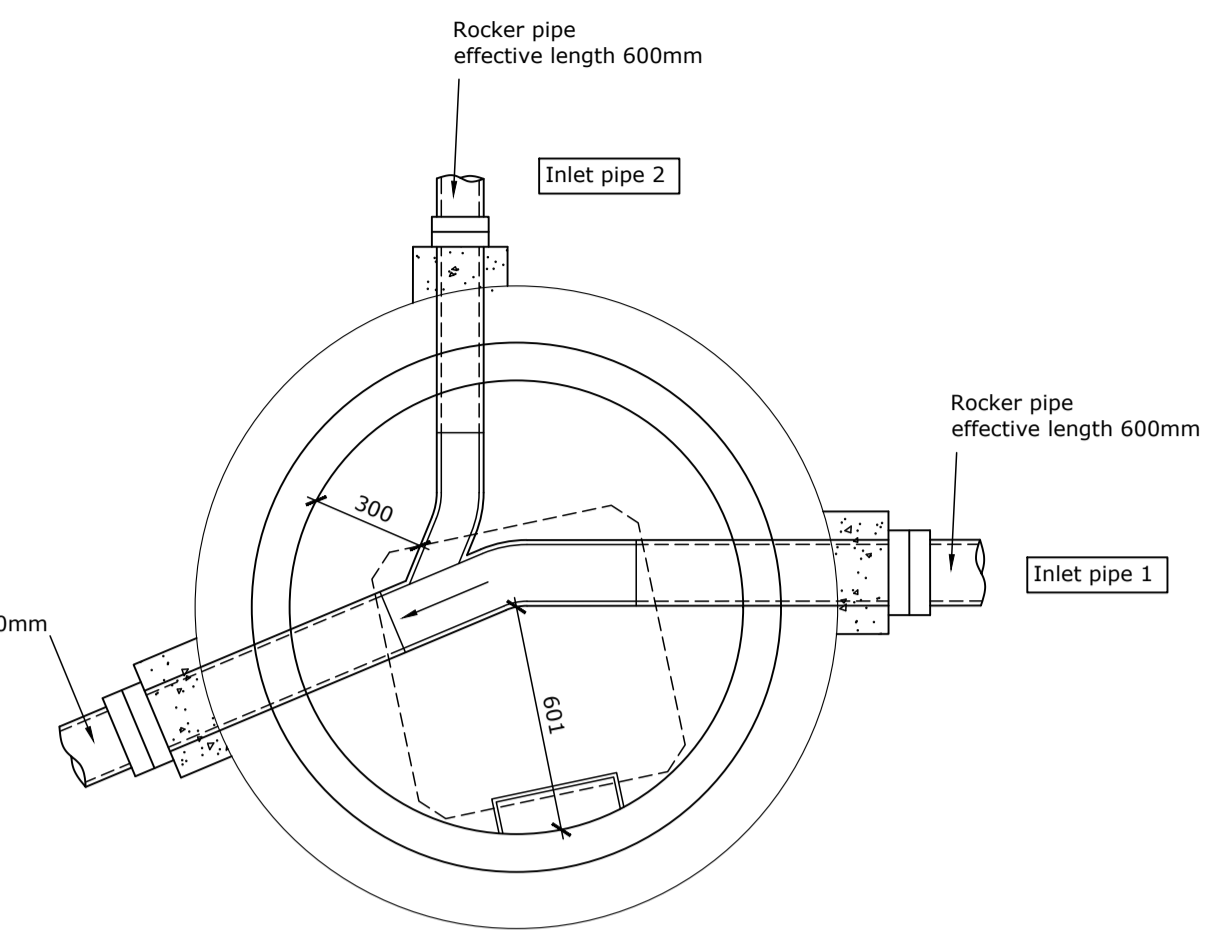
Manhole Reference	F2
Manhole Type	Type 4
MH Internal Dia	1050mm
Cover Level	136.972
Invert Level	135.622
Depth to Invert	1.350m
Depth to Soffit	1.200m
Inlet pipe dia	150Ø
Outlet pipe dia	150Ø
Cover Slab	Heavy Duty
Cover Slab Opening	750 x 750mm
Cover Size	750 x 750mm
Cover Grade	D400
Ladder or Double Steps?	Double Steps
Channels	Plain Ended Clay Channel Formers by Hepworth, or similar approved.
Taper Pieces in channels	No



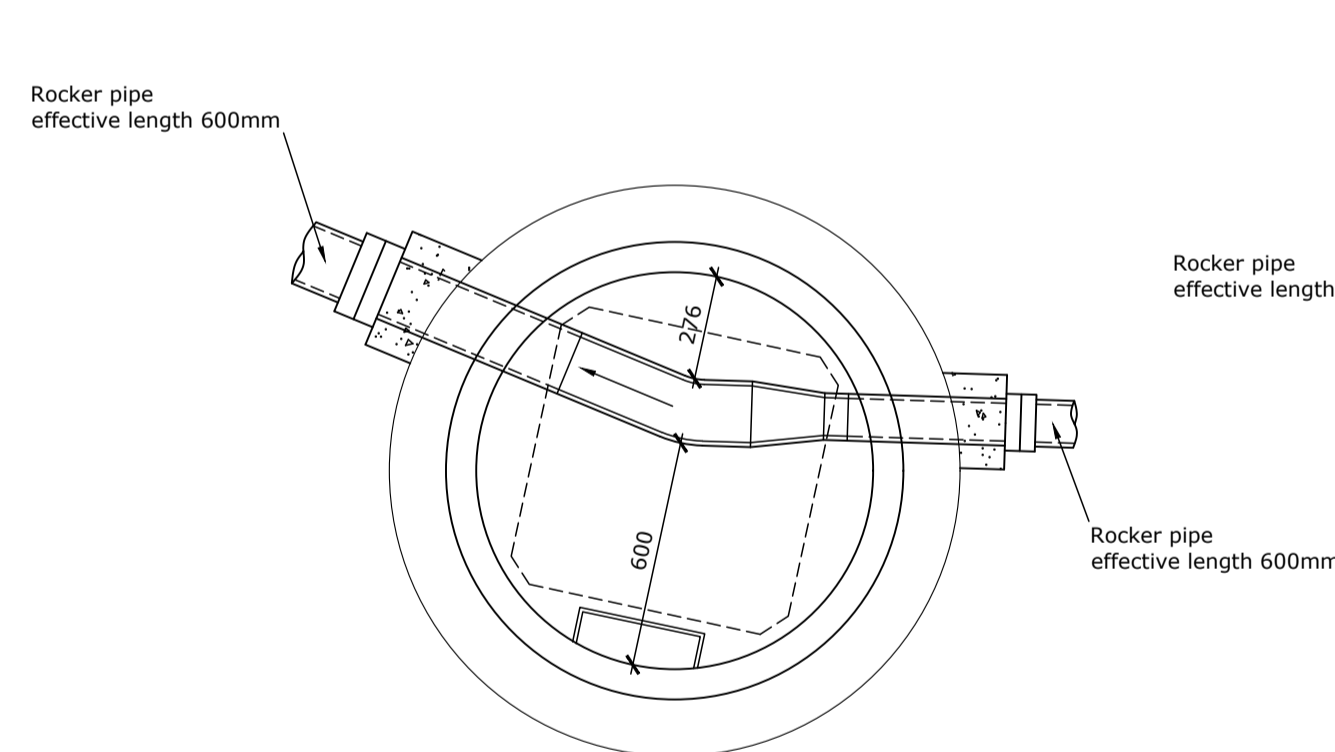
Manhole Reference	F3
Manhole Type	Type 4
MH Internal Dia	1050mm
Cover Level	136.620
Invert Level	135.270
Depth to Invert	1.350m
Depth to Soffit	1.200m
Inlet pipe dia	150Ø
Outlet pipe dia	150Ø
Cover Slab	Heavy Duty
Cover Slab Opening	750 x 750mm
Cover Size	750 x 750mm
Cover Grade	D400
Ladder or Double Steps?	Double Steps
Channels	Plain Ended Clay Channel Formers by Hepworth, or similar approved.
Taper Pieces in channels	No



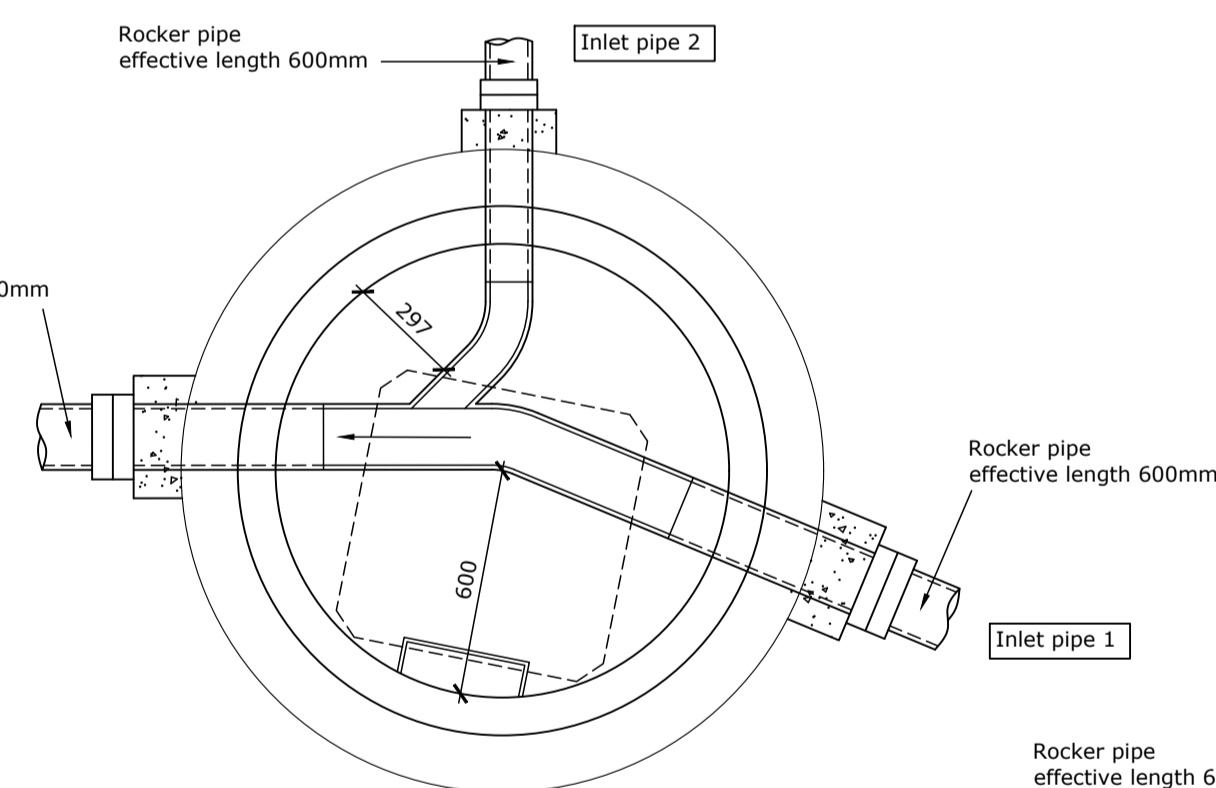
Manhole Reference	F4
Manhole Type	Type 4
MH Internal Dia	1200mm
Cover Level	136.214
Invert Level	134.864
Depth to Invert	1.350m
Depth to Soffit	1.200m
Inlet pipe dia 1	150Ø
Inlet pipe dia 2	100Ø
Outlet pipe dia	150Ø
Cover Slab	Heavy Duty
Cover Slab Opening	750 x 750mm
Cover Size	750 x 750mm
Cover Grade	D400
Ladder or Double Steps?	Double Steps
Channels	Plain Ended Clay Channel Formers by Hepworth, or similar approved.
Taper Pieces in channels	No



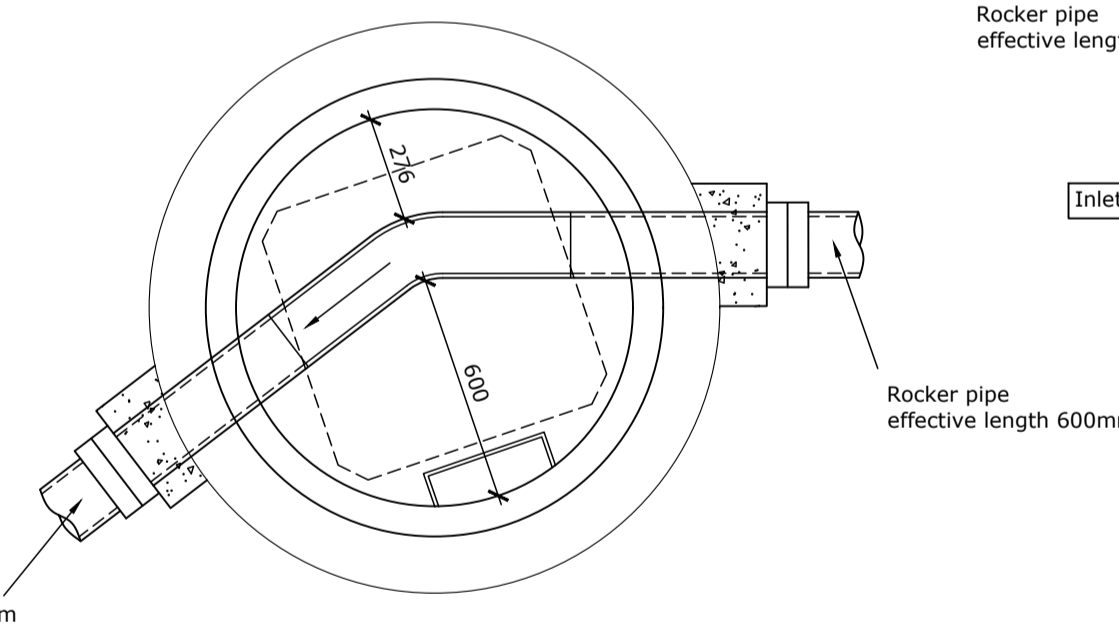
Manhole Reference	F5
Manhole Type	Type 4
MH Internal Dia	1050mm
Cover Level	135.550
Invert Level	134.200
Depth to Invert	1.350m
Depth to Soffit	1.200m
Inlet pipe dia 1	150Ø
Inlet pipe dia 2	100Ø
Outlet pipe dia	150Ø
Cover Slab	Heavy Duty
Cover Slab Opening	750 x 750mm
Cover Size	750 x 750mm
Cover Grade	D400
Ladder or Double Steps?	Double Steps
Channels	Plain Ended Clay Channel Formers by Hepworth, or similar approved.
Taper Pieces in channels	No



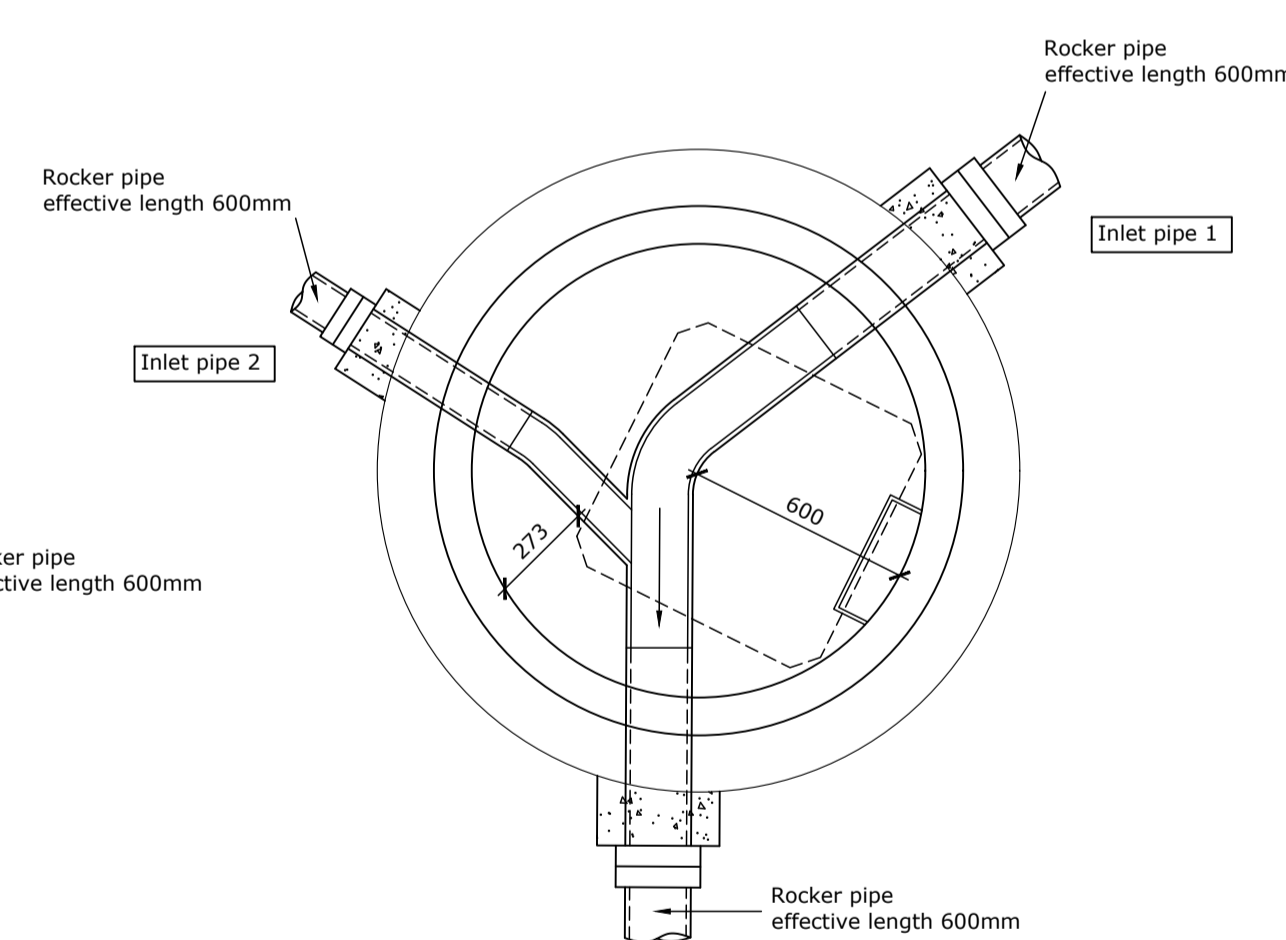
Manhole Reference	F6
Manhole Type	Type 4
MH Internal Dia	1050mm
Cover Level	137.253
Invert Level	135.903
Depth to Invert	1.350m
Depth to Soffit	1.200m
Inlet pipe dia	100Ø
Outlet pipe dia	150Ø
Cover Slab	Heavy Duty
Cover Slab Opening	750 x 750mm
Cover Size	750 x 750mm
Cover Grade	D400
Ladder or Double Steps?	Double Steps
Channels	Plain Ended Clay Channel Formers by Hepworth, or similar approved.
Taper Pieces in channels	Yes



Manhole Reference	F7
Manhole Type	Type 4
MH Internal Dia	1200mm
Cover Level	136.879
Invert Level	135.529
Depth to Invert	1.350m
Depth to Soffit	1.200m
Inlet pipe dia 1	150Ø
Inlet pipe dia 2	100Ø
Outlet pipe dia	150Ø
Cover Slab	Heavy Duty
Cover Slab Opening	750 x 750mm
Cover Size	750 x 750mm
Cover Grade	D400
Ladder or Double Steps?	Double Steps
Channels	Plain Ended Clay Channel Formers by Hepworth, or similar approved.
Taper Pieces in channels	No



Manhole Reference	F8
Manhole Type	Type 4
MH Internal Dia	1200mm
Cover Level	135.886
Invert Level	134.536
Depth to Invert	1.350m
Depth to Soffit	1.200m
Inlet pipe dia	150Ø
Outlet pipe dia	150Ø
Cover Slab	Heavy Duty
Cover Slab Opening	750 x 750mm
Cover Size	750 x 750mm
Cover Grade	D400
Ladder or Double Steps?	Double Steps
Channels	Plain Ended Clay Channel Formers by Hepworth, or similar approved.
Taper Pieces in channels	No



Manhole Reference	F9
Manhole Type	Type 4
MH Internal Dia	1050mm
Cover Level	135.526
Invert Level	134.150
Depth to Invert	1.376m
Depth to Soffit	1.226m
Inlet pipe dia 1	150Ø
Inlet pipe dia 2	100Ø
Outlet pipe dia	150Ø
Cover Slab	Heavy Duty
Cover Slab Opening	750 x 750mm
Cover Size	750 x 750mm
Cover Grade	D400
Ladder or Double Steps?	Double Steps
Channels	Plain Ended Clay Channel Formers by Hepworth, or similar approved.
Taper Pieces in channels	No

All Adoptable drainage shall be constructed in accordance with The Sewer Sector Guidance documents, United Utilities Standard details, and all corresponding approved drawings.

Preliminary

Project
Residential Development at
School Brow, Moresby Parks

Drawing
Adoptable Foul Water
Manhole Base Details - Sheet 1

Project no Drawing no Date Drawn by Rev Scale Sheet
6972 208 May 21 AC - 1:20 A1

	Tweddell & Slater Ltd Unit 2, Moresby Eden Business Park Penrith, Cumbria, CA11 9PB Tel: 01768 865400 Email: mail@tscotd.com Web: www.tscotd.com	Tweddell & Slater North East Ltd 20 Horner Road Richmond North Yorkshire, DL10 4QG Tel: 01748 503162
	Tweddell & Slater CONSULTING CIVIL & STRUCTURAL ENGINEERS	