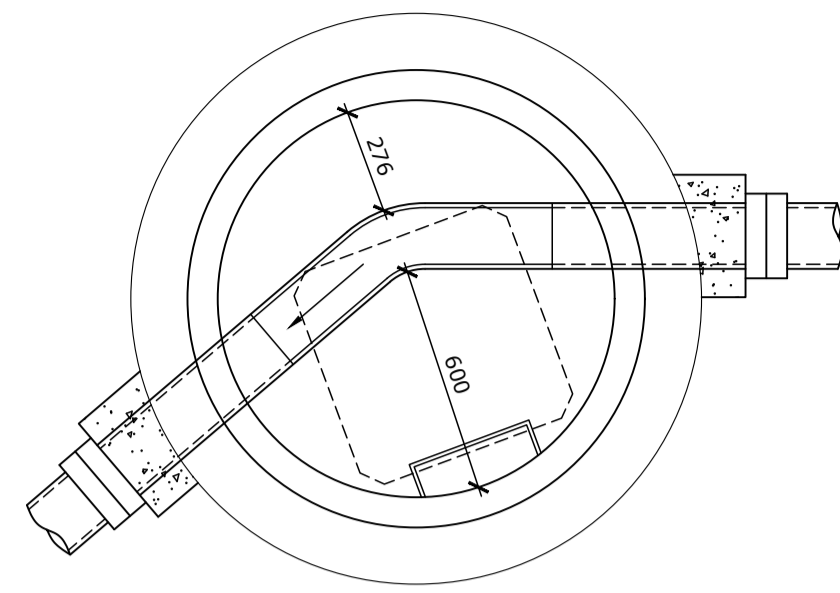
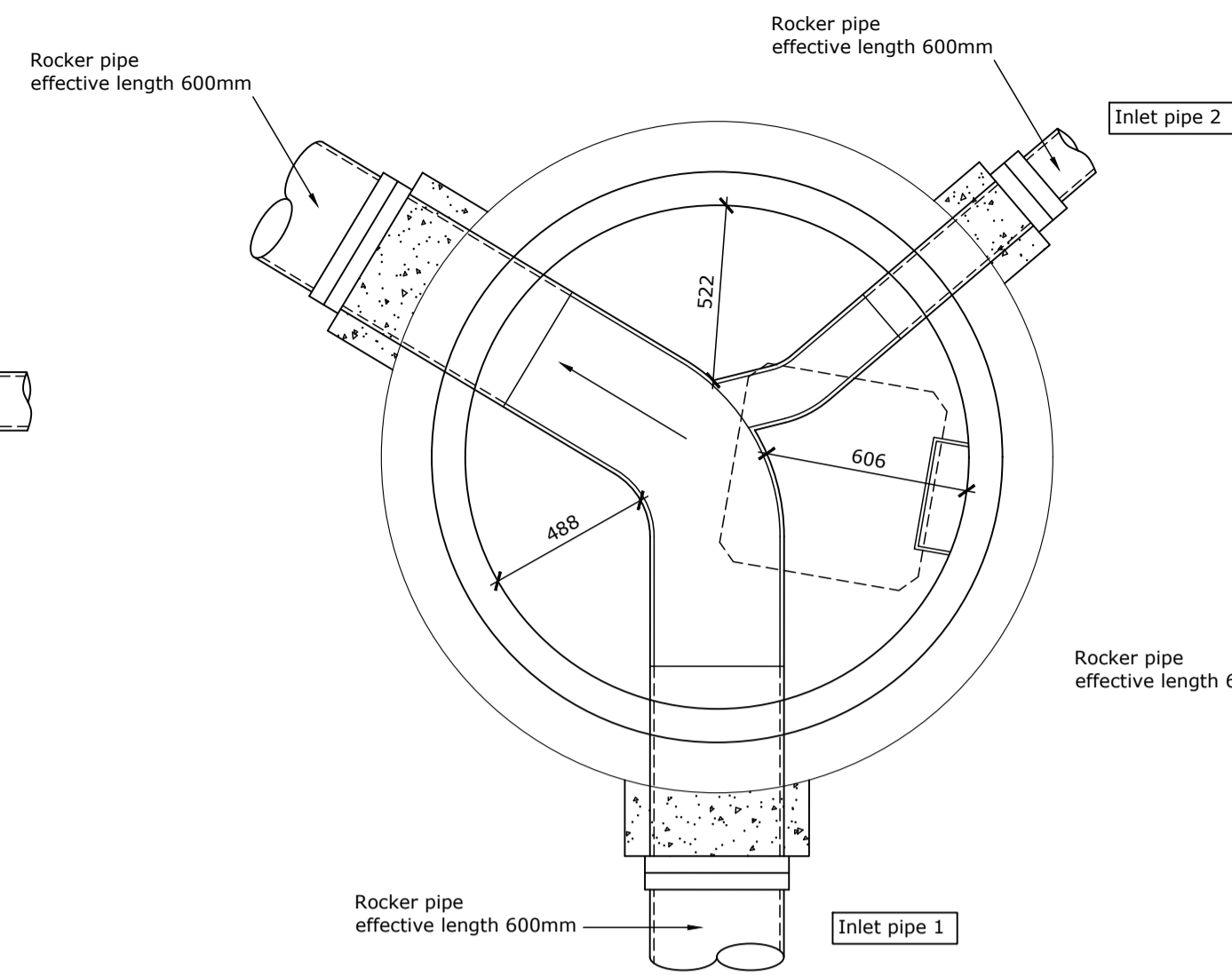


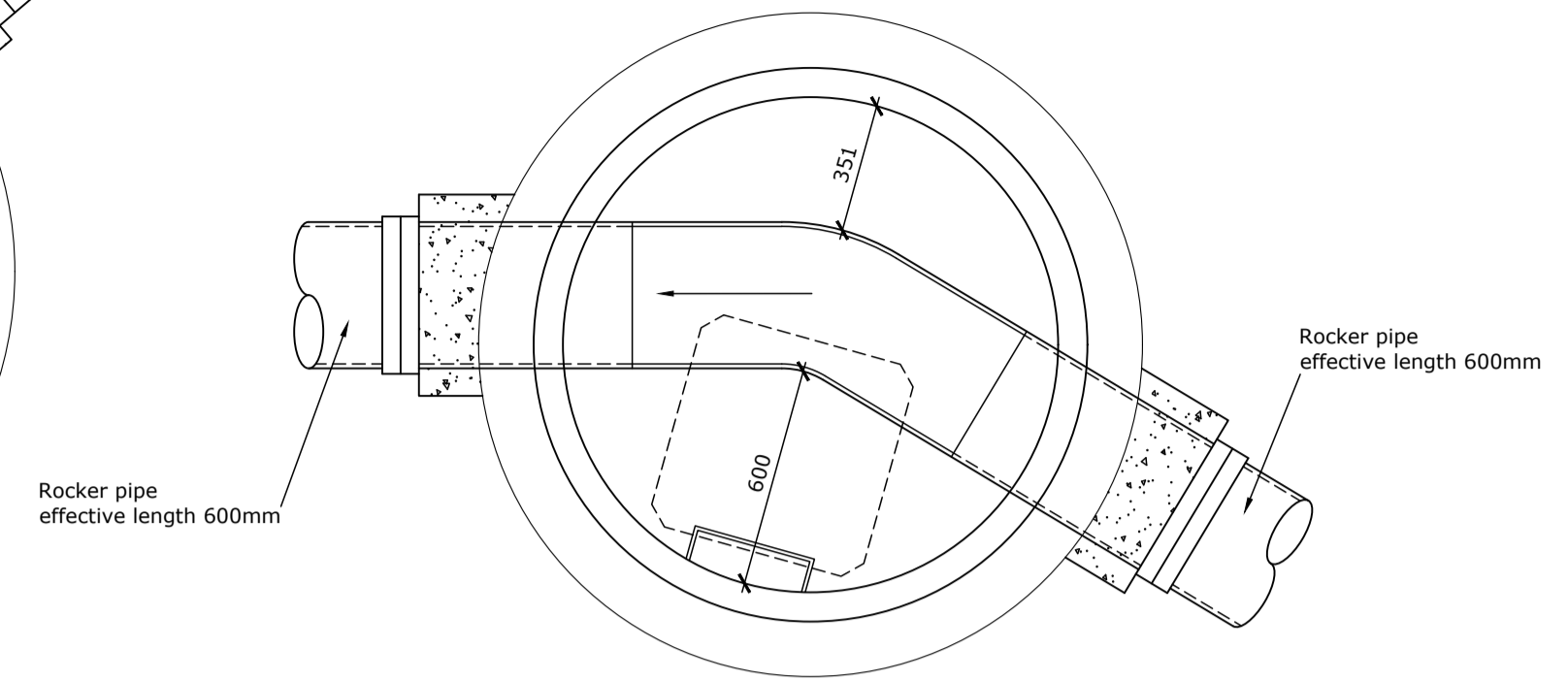
Manhole Reference	S10
Manhole Type	Type 1
MH Internal Dia	1200mm
Cover Level	136.791
Invert Level	135.079
Depth to Invert	1.712m
Depth to Soffit	1.562m
Inlet pipe dia 1	150Ø
Inlet pipe dia 2	100Ø
Outlet pipe dia	150Ø
Cover Slab	Heavy Duty
Cover Slab Opening	750 x 600mm
Cover Size	600 x 600mm
Cover Grade	D400
Ladder or Double Steps?	Double Steps
Channels	Plain Ended Clay Channel Formers by Hepworth, or similar approved.
Taper Pieces in channels	No



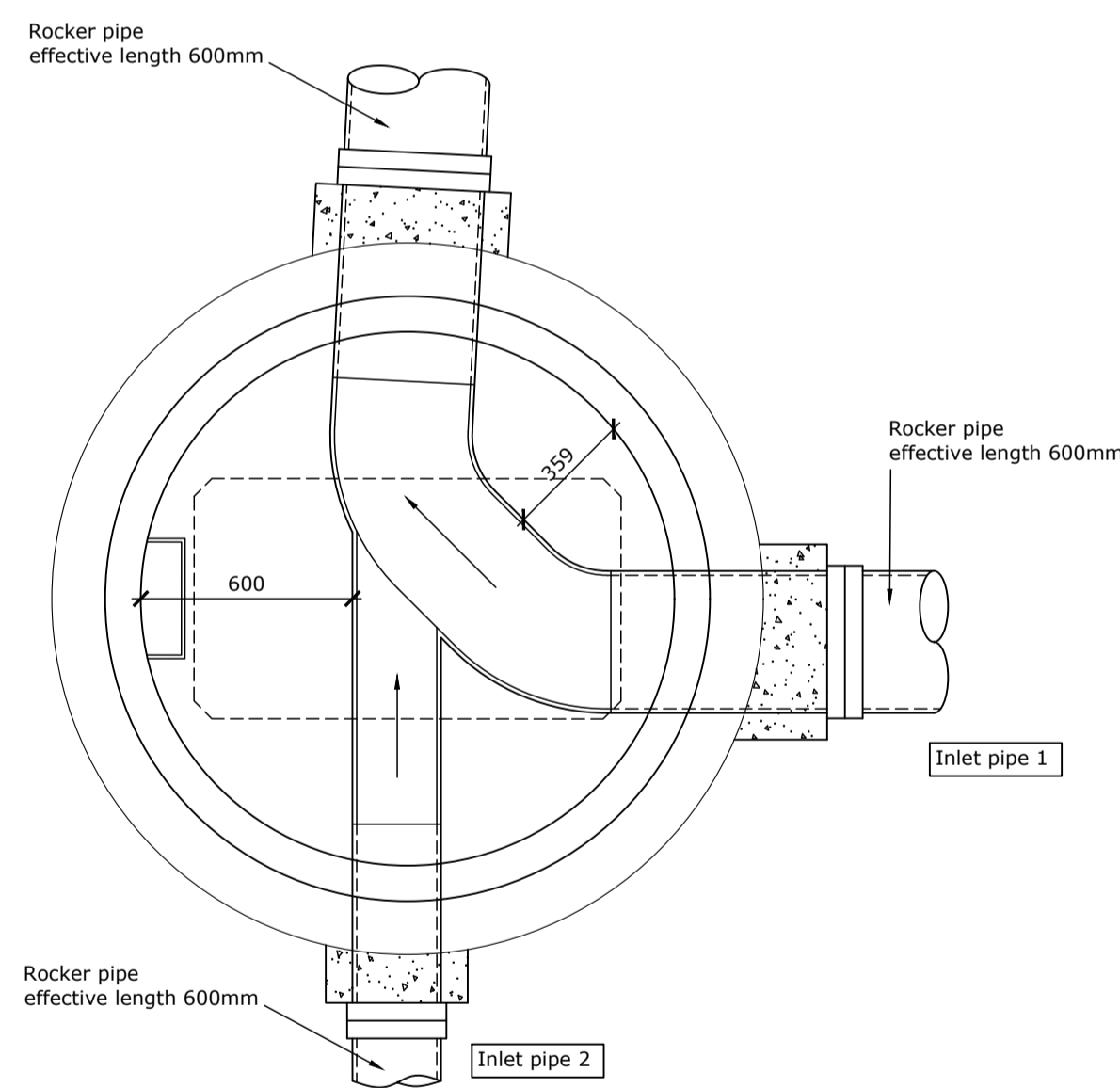
Manhole Reference	S11
Manhole Type	Type 1
MH Internal Dia	1050mm
Cover Level	135.884
Invert Level	134.113
Depth to Invert	1.771m
Depth to Soffit	1.621m
Inlet pipe dia	150Ø
Outlet pipe dia	150Ø
Cover Slab	Heavy Duty
Cover Slab Opening	600 x 600mm
Cover Size	600 x 600mm
Cover Grade	D400
Ladder or Double Steps?	Double Steps
Channels	Plain Ended Clay Channel Formers by Hepworth, or similar approved.
Taper Pieces in channels	No



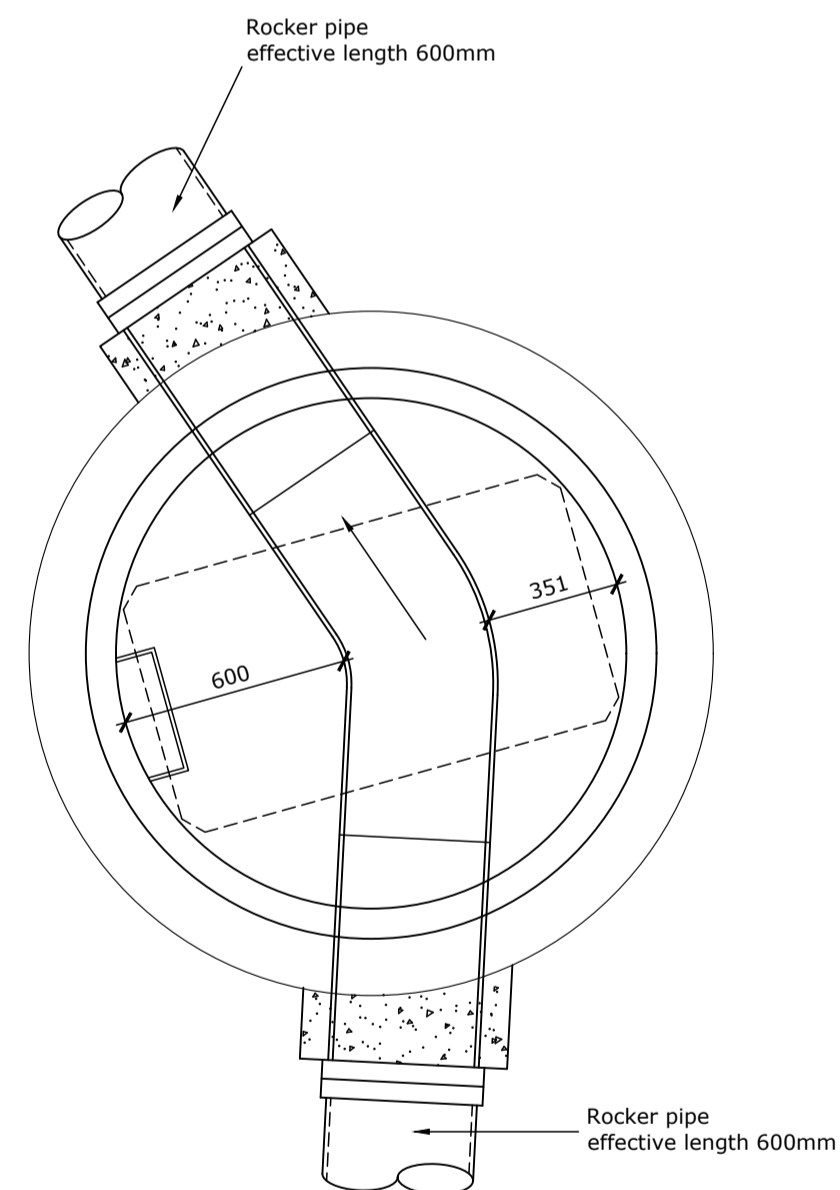
Manhole Reference	S12
Manhole Type	Type 1
MH Internal Dia	1500mm
Cover Level	135.442
Invert Level	133.053
Depth to Invert	2.389m
Depth to Soffit	2.014m
Inlet pipe dia 1	375Ø
Inlet pipe dia 2	150Ø
Outlet pipe dia	375Ø
Cover Slab	Heavy Duty
Cover Slab Opening	750 x 600mm
Cover Size	600 x 600mm
Cover Grade	D400
Ladder or Double Steps?	Double Steps
Channels	Plain Ended Clay Channel Formers by Hepworth, or similar approved.
Taper Pieces in channels	No



Manhole Reference	S13
Manhole Type	Type 1
MH Internal Dia	1350mm
Cover Level	135.250
Invert Level	132.956
Depth to Invert	2.294m
Depth to Soffit	1.919m
Inlet pipe dia	375Ø
Outlet pipe dia	375Ø
Cover Slab	Heavy Duty
Cover Slab Opening	750 x 600mm
Cover Size	600 x 600mm
Cover Grade	D400
Ladder or Double Steps?	Double Steps
Channels	Channels to be formed in granolithic concrete
Taper Pieces in channels	No



Manhole Reference	S15
Manhole Type	Type 4
MH Internal Dia	1500mm
Cover Level	133.600
Invert Level	131.943
Depth to Invert	1.657m
Depth to Soffit	1.282m
Inlet pipe dia 1	375Ø
Inlet pipe dia 2	225Ø
Outlet pipe dia	375Ø
Cover Slab	Heavy Duty
Cover Slab Opening	1200 x 675mm
Cover Size	1200 x 675mm
Cover Grade	A15
Ladder or Double Steps?	Double Steps
Channels	Plain Ended Clay Channel Formers by Hepworth, or similar approved.
Taper Pieces in channels	No



Manhole Reference	S16
Manhole Type	Type 4
MH Internal Dia	1350mm
Cover Level	133.500
Invert Level	131.811
Depth to Invert	1.689m
Depth to Soffit	1.314m
Inlet pipe dia	375Ø
Outlet pipe dia	375Ø
Cover Slab	Heavy Duty
Cover Slab Opening	1200 x 675mm
Cover Size	1200 x 675mm
Cover Grade	D400
Ladder or Double Steps?	Double Steps
Channels	Channels to be formed in granolithic concrete
Taper Pieces in channels	No

All Adoptable drainage shall be constructed in accordance with The Sewer Sector Guidance documents, United Utilities Standard details, and all corresponding approved drawings.

## Preliminary

Suitability  
--

Project  
Residential Development at  
School Brow, Moresby Parks  
Client

Drawing  
Adoptable Surface Water  
Manhole Base Details

Project no Drawing no Date Drawn by Rev Scale Sheet  
6972 207 May 21 AC - 1:20 A1

**TWEDDELL  
& SLATER**  
CONSULTING  
CIVIL & STRUCTURAL  
ENGINEERS

Tweddell & Slater Ltd  
Unit 2, Moresby  
Eden Business Park  
Moresby, Cumbria, CA11 9PB  
Tel: 01768 855400  
Email: mail@tscehd.com  
Web: www.tscehd.com

Tweddell & Slater North East Ltd  
20 Market Place  
Richmond  
North Yorkshire, DL10 4QG  
Tel: 01748 503162