

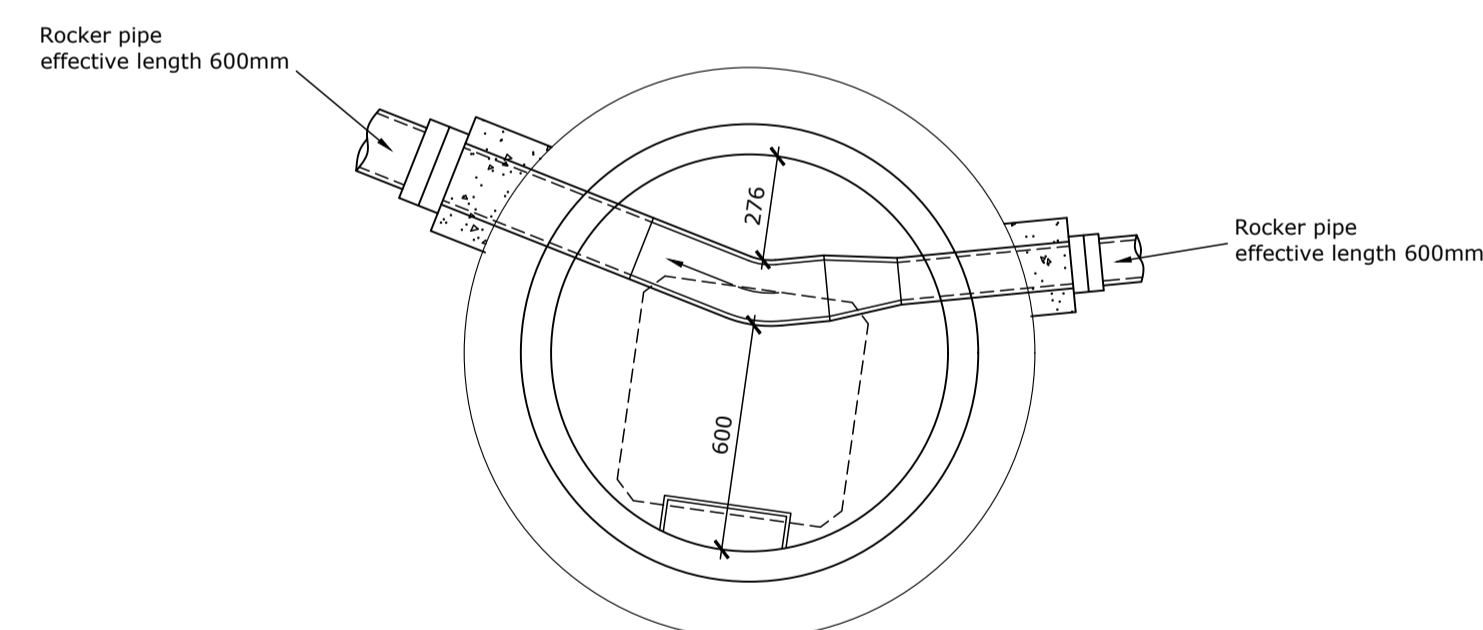
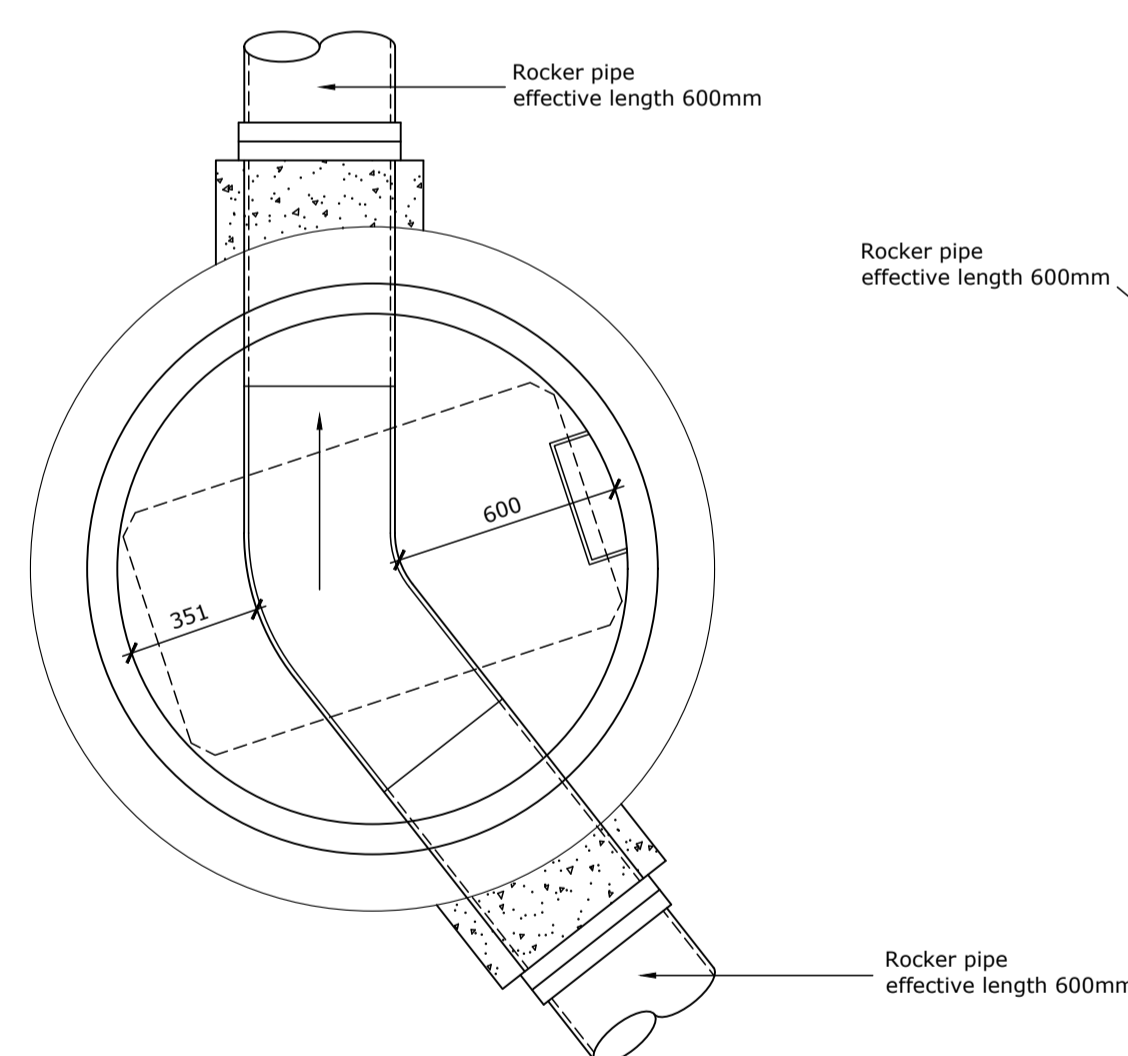
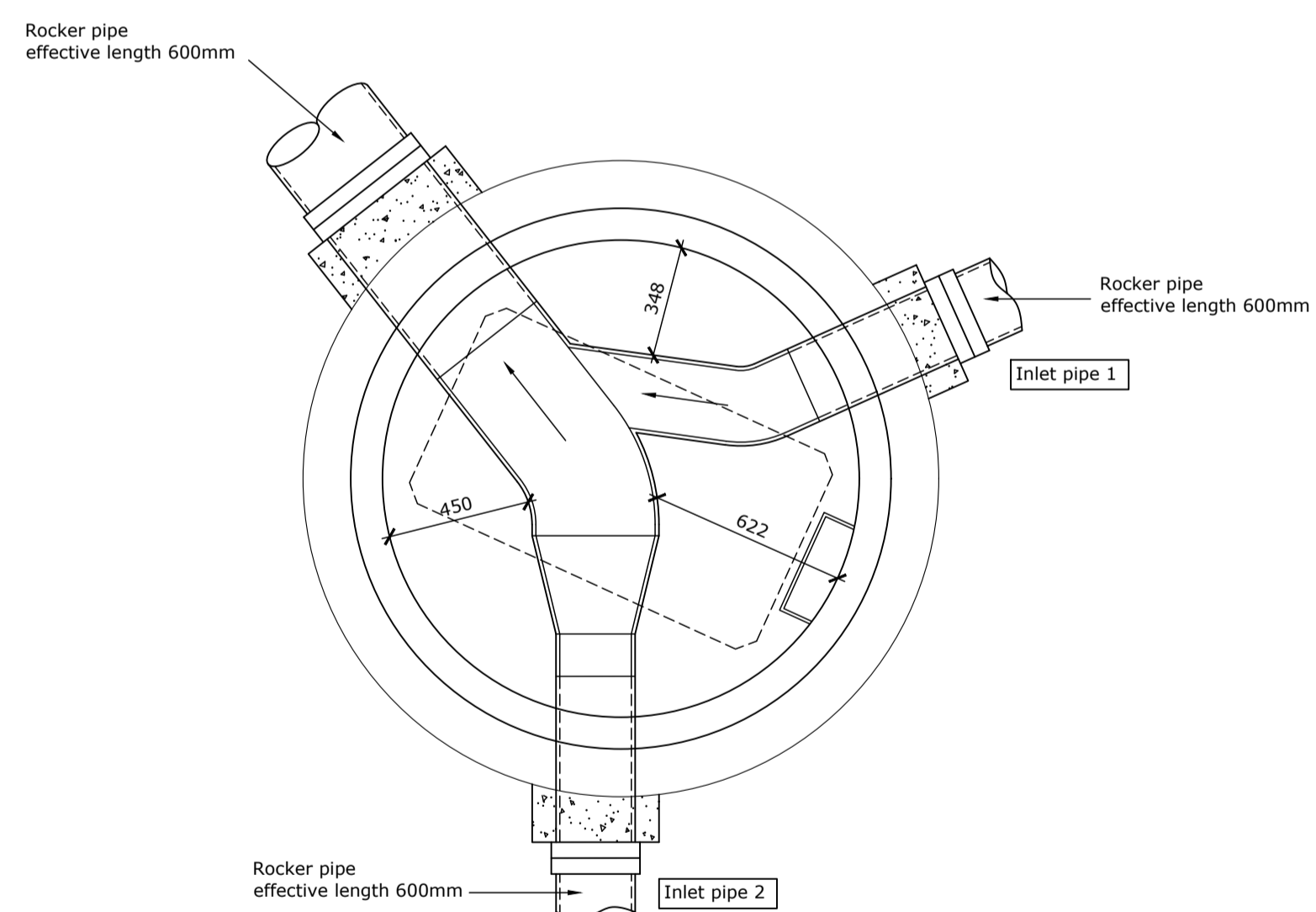
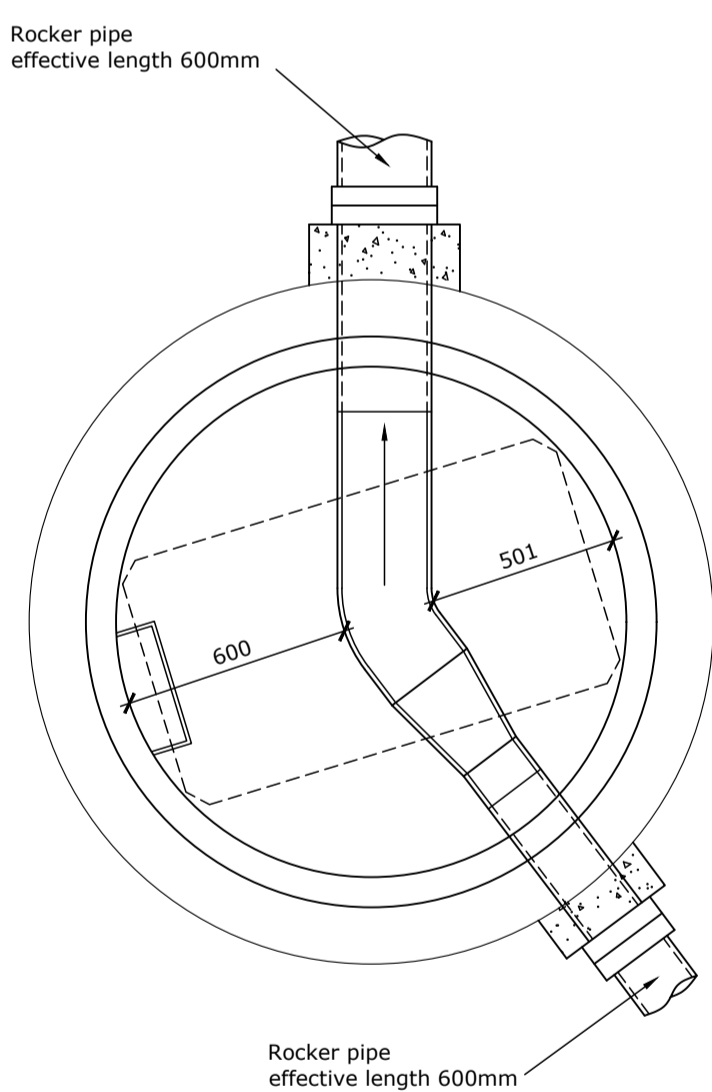
Manhole Reference	S1
Manhole Type	Type 1
MH Internal Dia	1200mm
Cover Level	137.654
Invert Level	135.883
Depth to Invert	1.771m
Depth to Soffit	1.621m
Inlet pipe dia 1	100Ø
Inlet pipe dia 2	100Ø
Outlet pipe dia	150Ø
Cover Slab	Heavy Duty
Cover Slab Opening	750 x 600mm
Cover Size	600 x 600mm
Cover Grade	D400
Ladder or Double Steps?	Double Steps
Channels	Plain Ended Clay Channel Formers by Hepworth, or similar approved.
Taper Pieces in channels	Yes

Manhole Reference	S2
Manhole Type	Type 1
MH Internal Dia	1050mm
Cover Level	136.892
Invert Level	135.172
Depth to Invert	1.720m
Depth to Soffit	1.570m
Inlet pipe dia	150Ø
Outlet pipe dia	150Ø
Cover Slab	Heavy Duty
Cover Slab Opening	600 x 600mm
Cover Size	600 x 600mm
Cover Grade	D400
Ladder or Double Steps?	Double Steps
Channels	Plain Ended Clay Channel Formers by Hepworth, or similar approved.
Taper Pieces in channels	No

Manhole Reference	S3
Manhole Type	Type 1
MH Internal Dia	1050mm
Cover Level	136.534
Invert Level	134.820
Depth to Invert	1.714m
Depth to Soffit	1.564m
Inlet pipe dia	150Ø
Outlet pipe dia	150Ø
Cover Slab	Heavy Duty
Cover Slab Opening	600 x 600mm
Cover Size	600 x 600mm
Cover Grade	D400
Ladder or Double Steps?	Double Steps
Channels	Plain Ended Clay Channel Formers by Hepworth, or similar approved.
Taper Pieces in channels	No

Manhole Reference	S4
Manhole Type	Type 1
MH Internal Dia	1350mm
Cover Level	136.131
Invert Level	134.400
Depth to Invert	1.731m
Depth to Soffit	1.506m
Inlet pipe dia	150Ø
Outlet pipe dia	225Ø
Cover Slab	Heavy Duty
Cover Slab Opening	750 x 600mm
Cover Size	600 x 600mm
Cover Grade	D400
Ladder or Double Steps?	Double Steps
Channels	Plain Ended Clay Channel Formers by Hepworth, or similar approved.
Taper Pieces in channels	No

Manhole Reference	S5
Manhole Type	Type 1
MH Internal Dia	1350mm
Cover Level	135.536
Invert Level	133.750
Depth to Invert	1.786m
Depth to Soffit	1.561m
Inlet pipe dia 1	225Ø
Inlet pipe dia 2	100Ø
Outlet pipe dia	225Ø
Cover Slab	Heavy Duty
Cover Slab Opening	750 x 600mm
Cover Size	600 x 600mm
Cover Grade	D400
Ladder or Double Steps?	Double Steps
Channels	Plain Ended Clay Channel Formers by Hepworth, or similar approved.
Taper Pieces in channels	No



Manhole Reference	S6
Manhole Type	Type 4
MH Internal Dia	1350mm
Cover Level	135.303
Invert Level	133.878
Depth to Invert	1.425m
Depth to Soffit	1.200m
Inlet pipe dia	150Ø
Outlet pipe dia	225Ø
Cover Slab	Heavy Duty
Cover Slab Opening	1200 x 675mm
Cover Size	1200 x 675mm
Cover Grade	D400
Ladder or Double Steps?	Double Steps
Channels	Plain Ended Clay Channel Formers by Hepworth, or similar approved.
Taper Pieces in channels	Yes

Manhole Reference	S7
Manhole Type	Type 4
MH Internal Dia	1500mm
Cover Level	135.015
Invert Level	133.440
Depth to Invert	1.575m
Depth to Soffit	1.200m
Inlet pipe dia 1	225Ø
Inlet pipe dia 2	225Ø
Outlet pipe dia	375Ø
Cover Slab	Heavy Duty
Cover Slab Opening	1200 x 675mm
Cover Size	1200 x 675mm
Cover Grade	D400
Ladder or Double Steps?	Double Steps
Channels	Channels to be formed in granolithic concrete
Taper Pieces in channels	Yes

Manhole Reference	S8
Manhole Type	Type 4
MH Internal Dia	1350mm
Cover Level	134.957
Invert Level	133.382
Depth to Invert	1.575m
Depth to Soffit	1.200m
Inlet pipe dia	375Ø
Outlet pipe dia	375Ø
Cover Slab	Heavy Duty
Cover Slab Opening	1200 x 675mm
Cover Size	1200 x 675mm
Cover Grade	D400
Ladder or Double Steps?	Double Steps
Channels	Channels to be formed in granolithic concrete
Taper Pieces in channels	No

Manhole Reference	S9
Manhole Type	Type 1
MH Internal Dia	1050mm
Cover Level	137.312
Invert Level	135.453
Depth to Invert	1.859m
Depth to Soffit	1.709m
Inlet pipe dia	100Ø
Outlet pipe dia	150Ø
Cover Slab	Heavy Duty
Cover Slab Opening	600 x 600mm
Cover Size	600 x 600mm
Cover Grade	D400
Ladder or Double Steps?	Double Steps
Channels	Plain Ended Clay Channel Formers by Hepworth, or similar approved.
Taper Pieces in channels	Yes

All Adoptable drainage shall be constructed in accordance with The Sewer Sector Guidance documents, United Utilities Standard details, and all corresponding approved drawings.

Preliminary

Project
Residential Development at
School Brow, Moresby Parks

Drawing
Adoptable Surface Water
Manhole Base Details Sheet - 1

Project no Drawing no Date Drawn by Rev Scale Sheet
6972 206 May 21 AC - 1:20 A1

TWEDDELL & SLATER CONSULTING CIVIL & STRUCTURAL ENGINEERS	Tweddell & Slater Ltd Unit 2, Moresby Eden Business Park Penrith, Cumbria, CA11 9PB Tel: 01768 865400 Email: mail@tscorb.com Web: www.tscorb.com	Tweddell & Slater North East Ltd 20 Horner Road Richmond North Yorkshire, DL10 4QG Tel: 01748 503162
	Tweddell & Slater North East Ltd 20 Horner Road Richmond North Yorkshire, DL10 4QG Tel: 01748 503162	