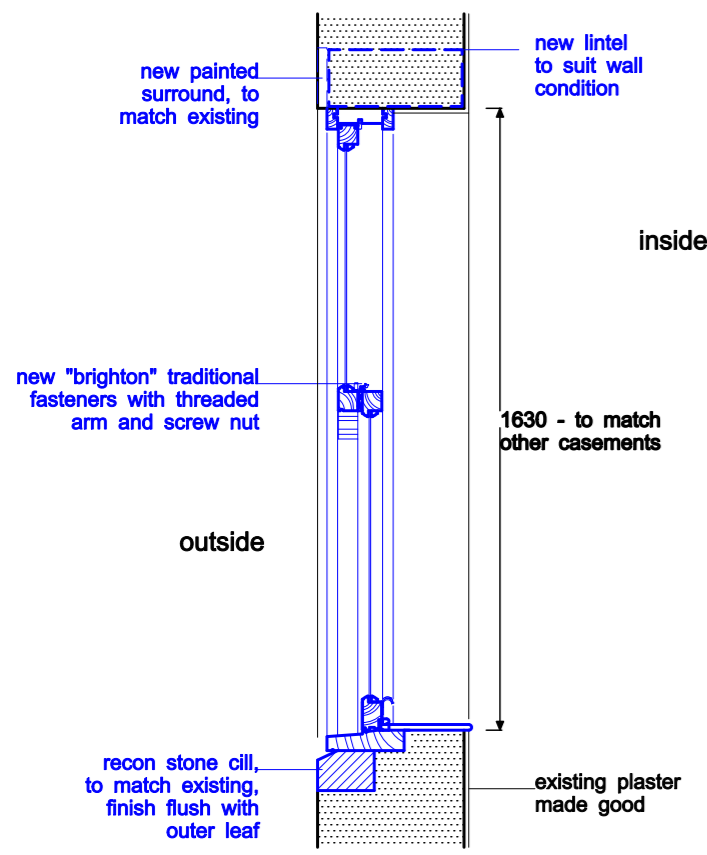


REVISIONS

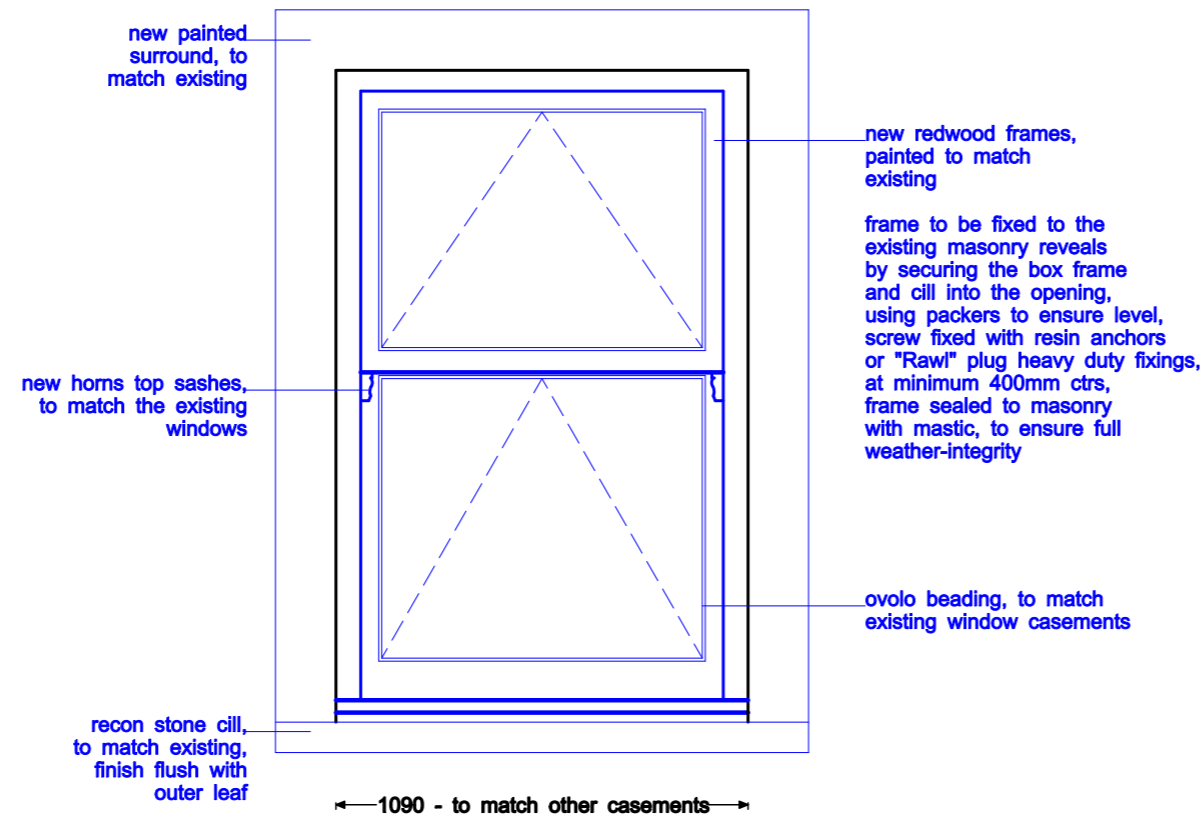
Rev	Date	Description/Amendments	SI
A	23.04.20	Dimensions requested	DV
B	12.05.20	Dimensions and design clarified	DV

GENERAL NOTES

- Where this drawing has been issued in electronic.dwg format it has been done so in good faith. Vagdia & Holmes Ltd do not take any responsibility for any inaccuracies in the electronic data, which should be checked against the paper (or pdf) drawing issue. Any apparent discrepancies should be immediately reported to Vagdia & Holmes Limited. The electronic.dwg file should not be assumed to be to scale and should not be used for 'overriding', setting out or checking of any third party information. All dimensions should be taken from the paper (or pdf) version of the drawing. Electronic drawings may contain third party information, Vagdia & Holmes Limited take no responsibility for this information, which should be checked against the original paper drawings.
- Do not scale this drawing or model. Do not assume. All dimensions to be verified on site. This drawing is to be read in conjunction with all other Architectural drawings and the specification document.
- Any discrepancies between drawings of different scales, and between drawings and specifications where appropriate to be notified to the Architect for decision.
- Copyright reserved. This drawing may only be used for the Client and location specified in the title block. It may not be copied or disclosed to any third party without the prior written consent of Vagdia & Holmes Limited.
- This drawing should only be used for construction if the drawing status is "Construction". Vagdia & Holmes Limited take no responsibility for construction works undertaken to drawings which are not marked with this status.
- The Contractor carrying out the works is responsible for and must take all necessary precautions to ensure the stability of the works at all times during construction. All workmanship and materials are to be to current British Standards or Eurocodes. All construction products and structural steelwork should be CE marked in accordance with current legislation.
- All services are to be located and protected as necessary by the Contractor prior to the commencement of the works.

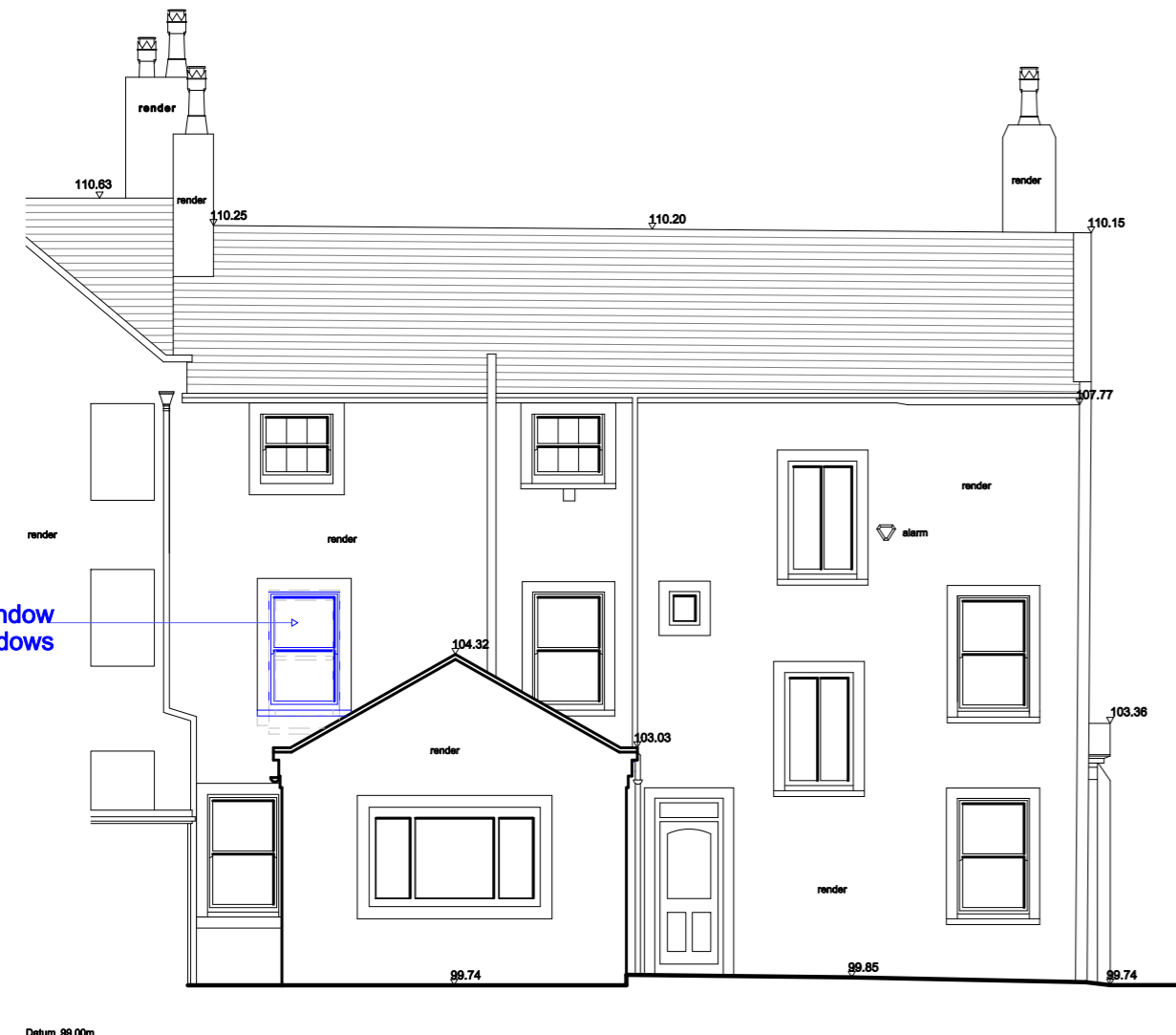
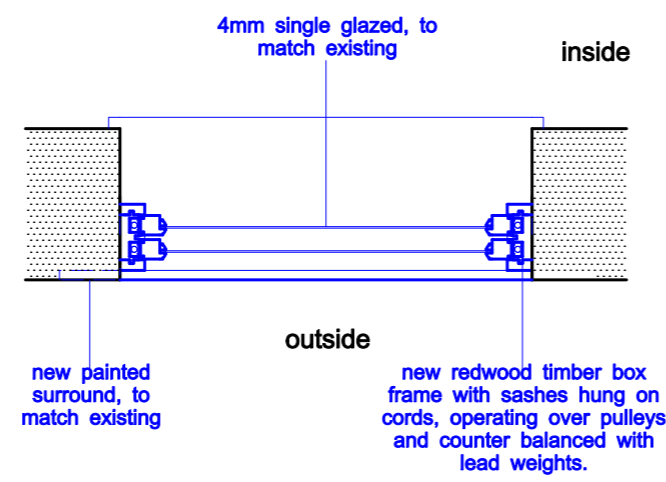


New Sash Window Section
1:20 @ A2



New Sash Window Elevation
(external view)
1:20 @ A2

New Sash Window Plan
1:20 @ A2



Proposed Rear Elevation
1:100 @ A2

Vagdia and Holmes
 CHARTERED ARCHITECTS
 Coventry, Midlands
 (t) 024 7622 2393 (e) info@vagdiandholmes.com

Project: Change of Use and Alterations to existing listed building at 17 Irish Street, Whitehaven, Cumbria, CA28 7BU
 Title: New Sash Window Detail

Date: Mar 2026
 Drawn by: DV
 Checked by: DV
 Approved by: DV
 Scale: 1:20 @ A2

Dwg No: **2101-DD-112B**

For: **DISCHARGE OF CONDITION**

This drawing is copyright © to Vagdia & Holmes Limited 2026. All Rights Reserved. This drawing is the property of Vagdia & Holmes Limited, it must not be copied or reproduced or divulged to anyone without written permission.