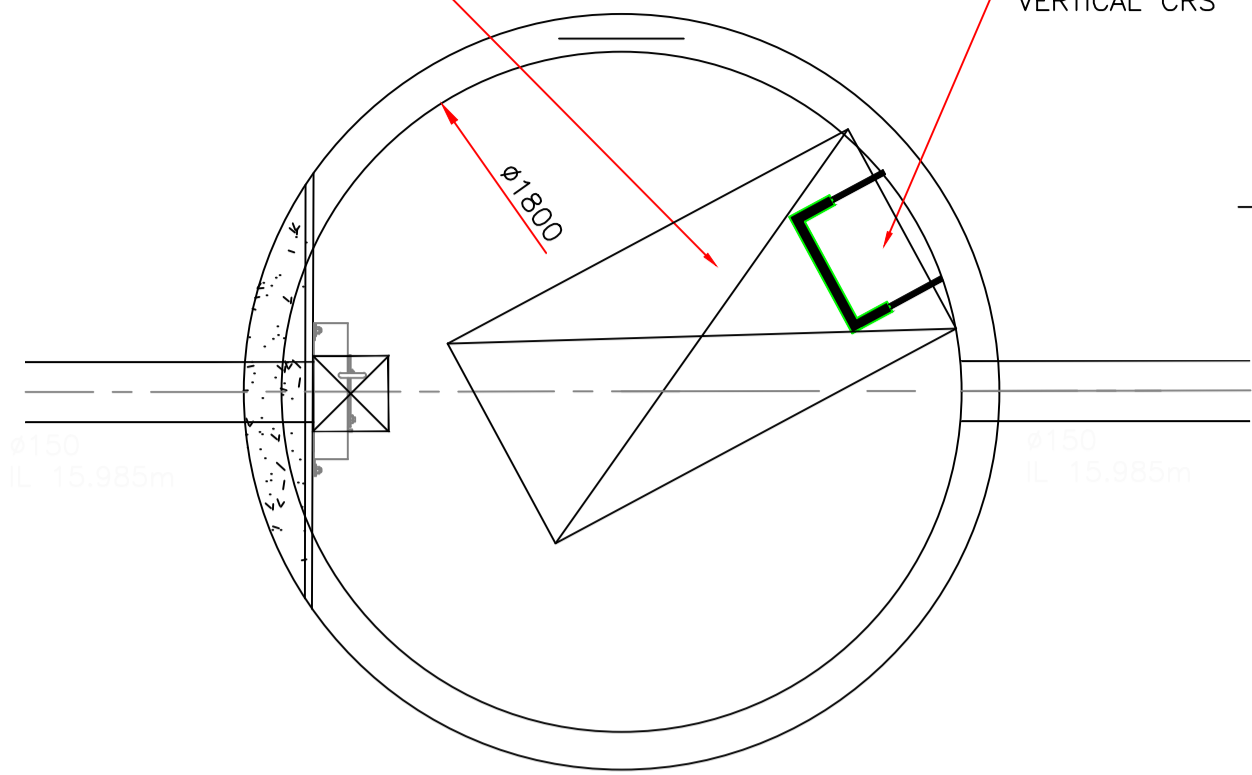


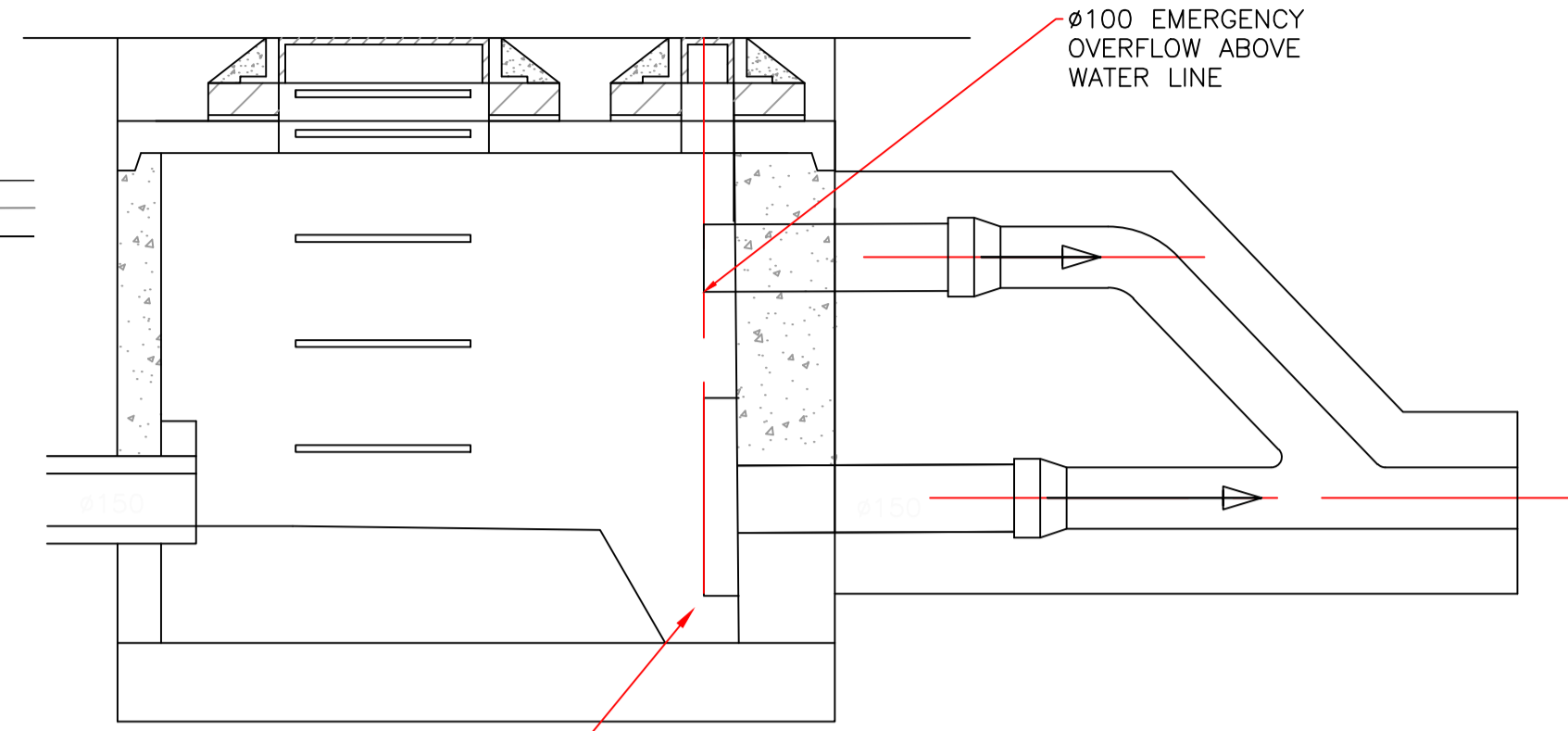
OUTLINE OF 1200x675
COVER SLAB OPENING
(1200x675 DOUBLE E600
COVER)

STEP RUNGS AT MAX 250
VERTICAL CRS



SW14 FLOW CONTROL MANHOLE 1:20

CL 17.000m
IL 15.985m
SOFFIT DEPTH 0.865m
DEPTH TO INVERT 1.015m
HYDRO-BRAKE OPTIMUM:
SHE-0067-2000-1000-2000
DESIGN HEAD - 1000mm
FLOW - 2.0 l/s
STORMWATER
Ø67mm CONTROL
IL 15.985m
Ø150mm

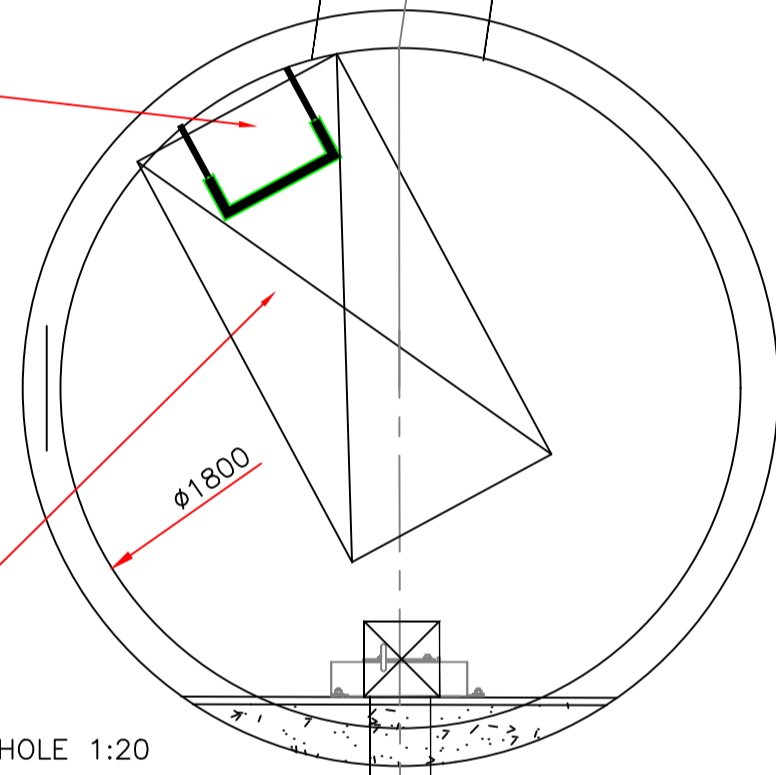


SUMP AND HYDROBRAKE TO
MANUFACTURERS DETAILS

Ø100 EMERGENCY
OVERFLOW ABOVE
WATER LINE

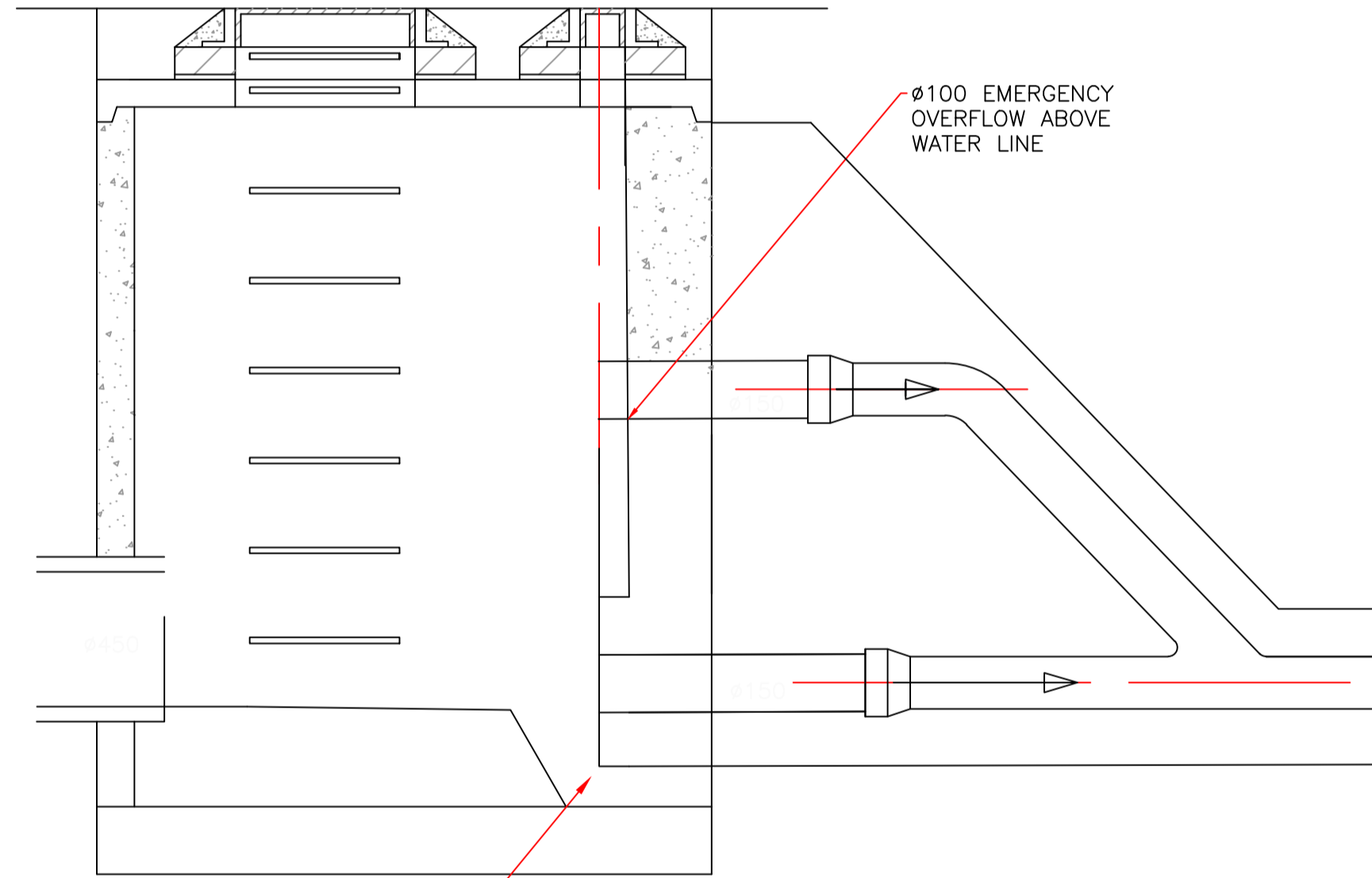
STEP RUNGS AT MAX
250 VERTICAL CRS

OUTLINE OF 1200x675
COVER SLAB OPENING
(1200x675 DOUBLE E600
COVER)



SW10 FLOW CONTROL MANHOLE 1:20

CL 19.000m
IL 17.000m
SOFFIT DEPTH 1.850m
DEPTH TO INVERT 2.000m
HYDRO-BRAKE OPTIMUM:
SHE-0047-1000-0960-1000
HEAD - 960mm
FLOW - 1.0 l/s
STORMWATER
Ø47mm CONTROL
IL 17.000m
Ø150mm

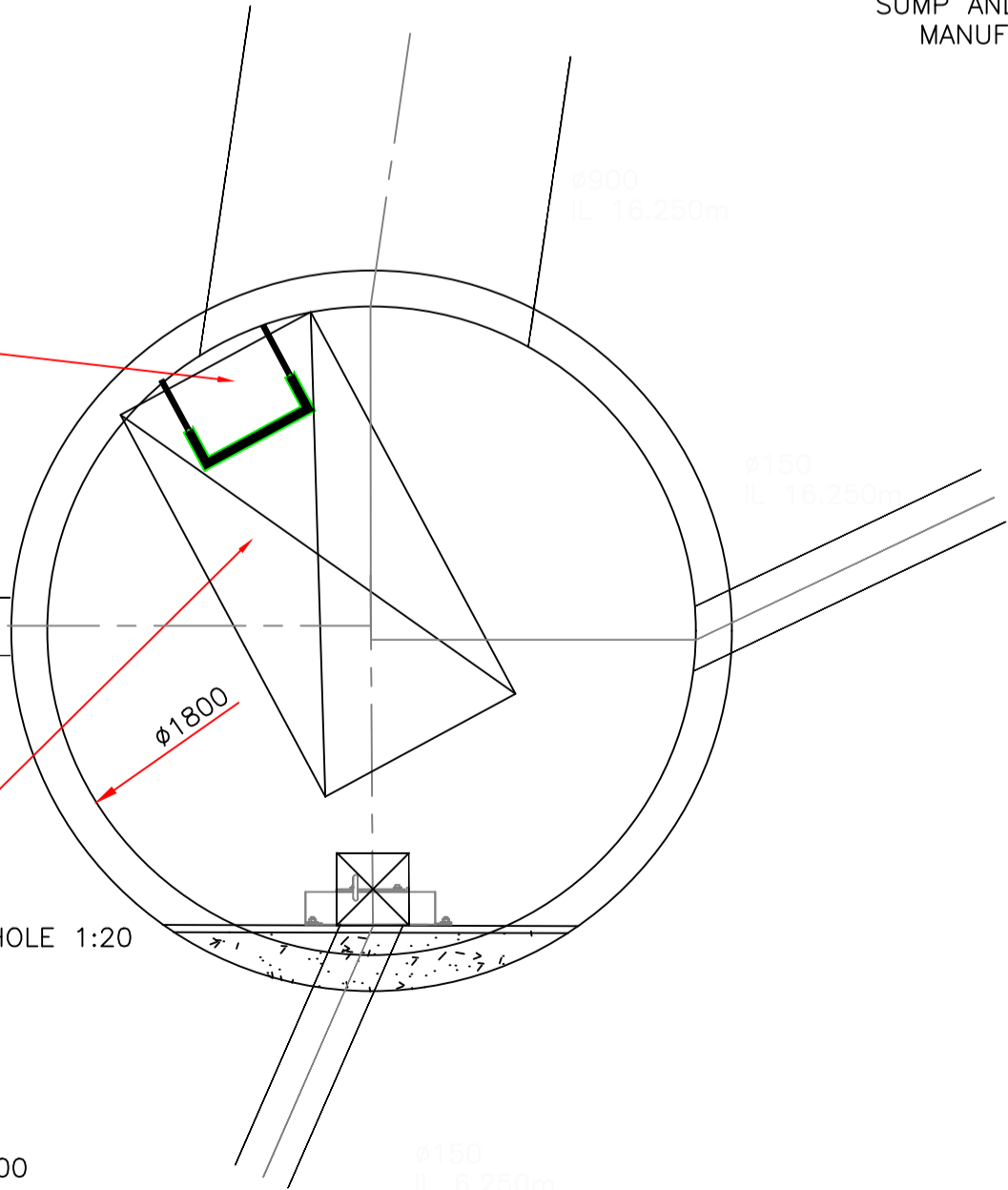


SUMP AND HYDROBRAKE TO
MANUFACTURERS DETAILS

Ø100 EMERGENCY
OVERFLOW ABOVE
WATER LINE

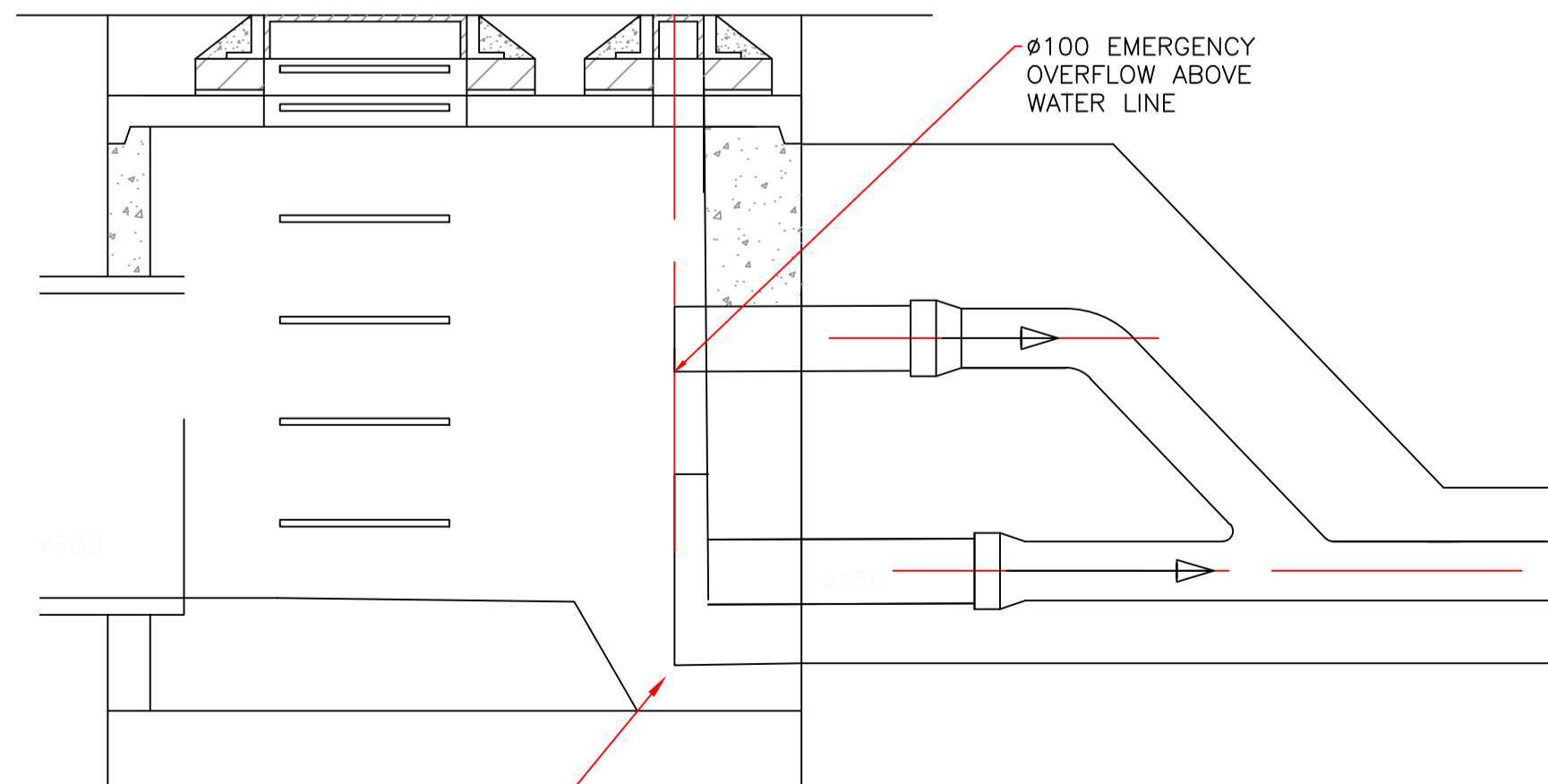
STEP RUNGS AT MAX
250 VERTICAL CRS

OUTLINE OF 1200x675
COVER SLAB OPENING
(1200x675 DOUBLE E600
COVER)



SW12 FLOW CONTROL MANHOLE 1:20

CL 17.600m
IL 16.250m
SOFFIT DEPTH 0.450m
DEPTH TO INVERT 1.350m
HYDRO-BRAKE OPTIMUM:
SHE-0077-2500-0900-2500
DESIGN HEAD - 900mm
FLOW - 2.5 l/s
STORMWATER
Ø77mm CONTROL
IL 16.250m
Ø150mm



SUMP AND HYDROBRAKE TO
MANUFACTURERS DETAILS

Ø100 EMERGENCY
OVERFLOW ABOVE
WATER LINE

PLANNING

WATERWAY DRAINAGE
ENGINEERING

CLIENT
SUNSHINE PROPERTIES LTD

TITLE
LAND NORTH OF STATION ROAD, DRIGG
CONSTRUCTION DETAILS 3 OF 3

DRAWN PA DATE MAR 25 SCALE 1:200 @AI

DRAWING NO. 2025-026-005