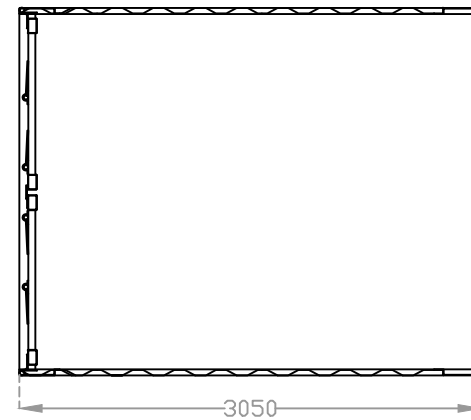
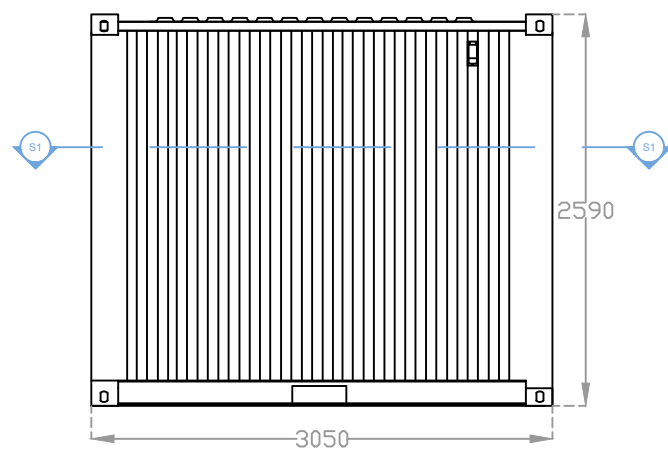


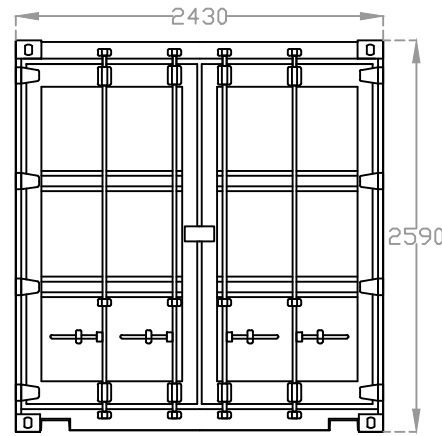
Plan view



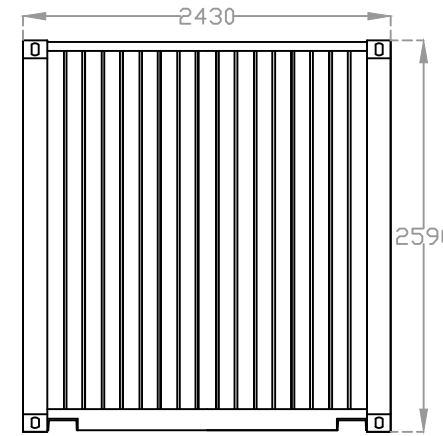
S1 - Plan section



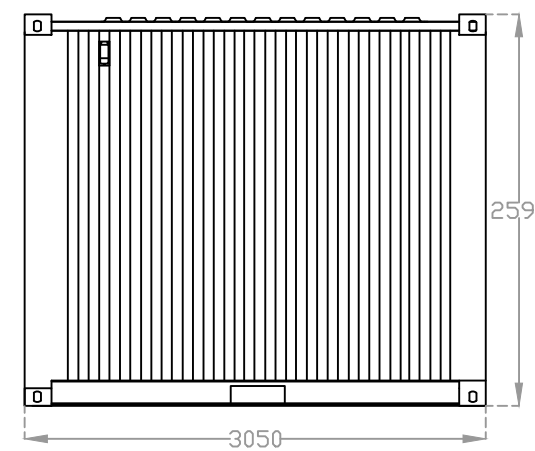
Side Elevation A



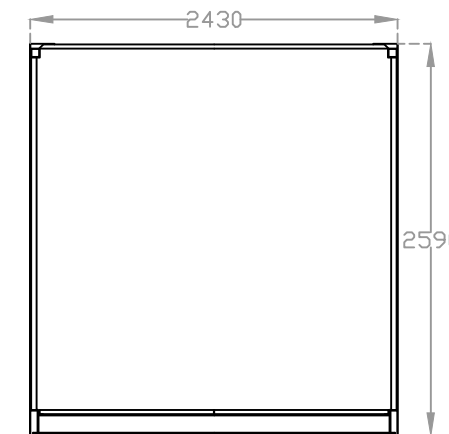
Side Elevation B



Side Elevation C

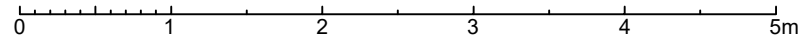


Side Elevation D



S2 - Cross section

Shipping Container (10ft)
 Steel construction set on existing surface
 Dimensions 3050 x 2430 x 2590mm



SCALE: 1:50 @ A3

DRAWN BY: Bethan Parsons

SUBMISSIONS

DESCRIPTION:	DATE:
Issued for Review	14/04/2022

Shipping Container

- Plan view
- S1 Plan section
- Side Elevation A
- Side Elevation B
- Side Elevation C
- Side Elevation D
- S2 Cross section