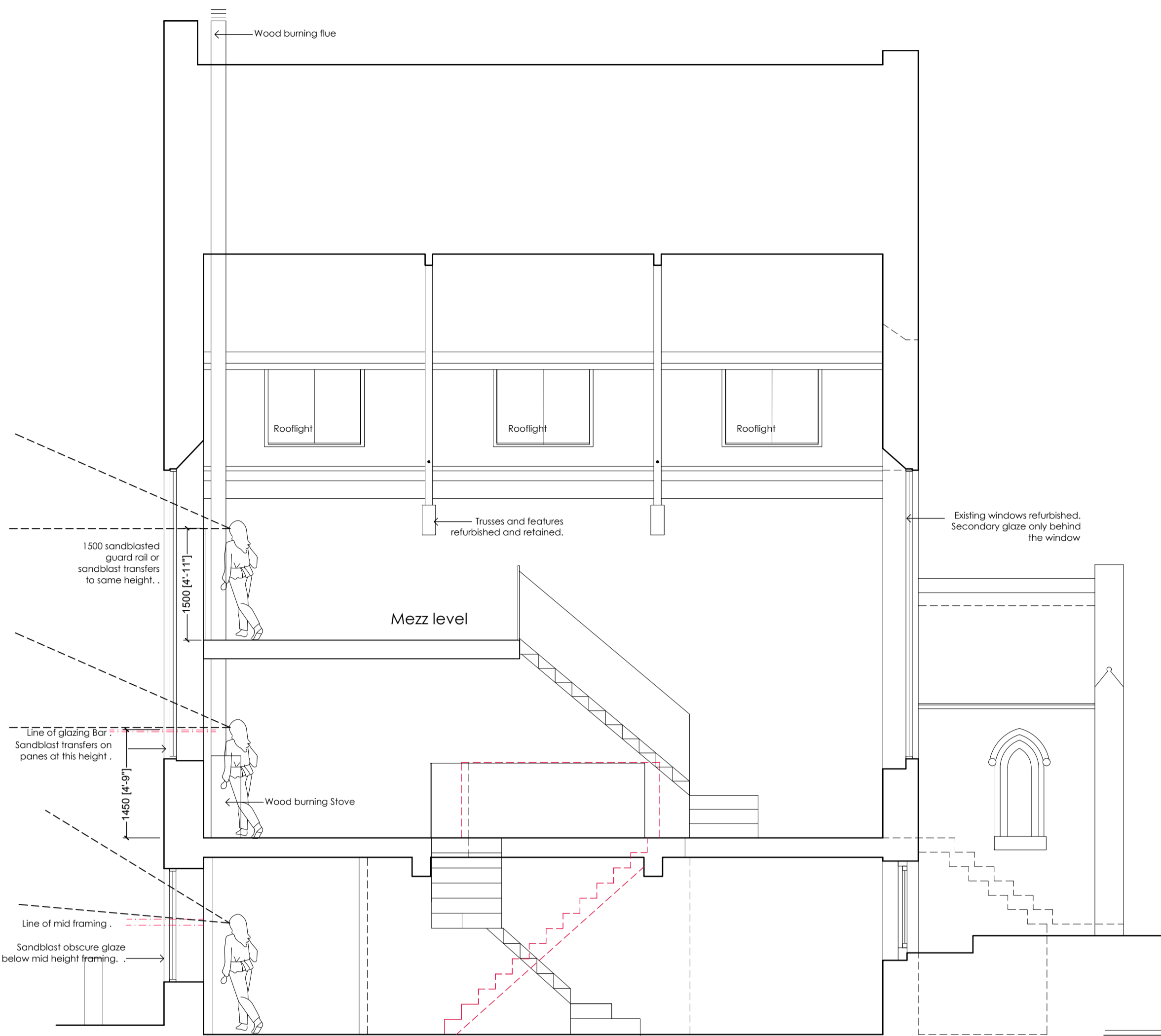
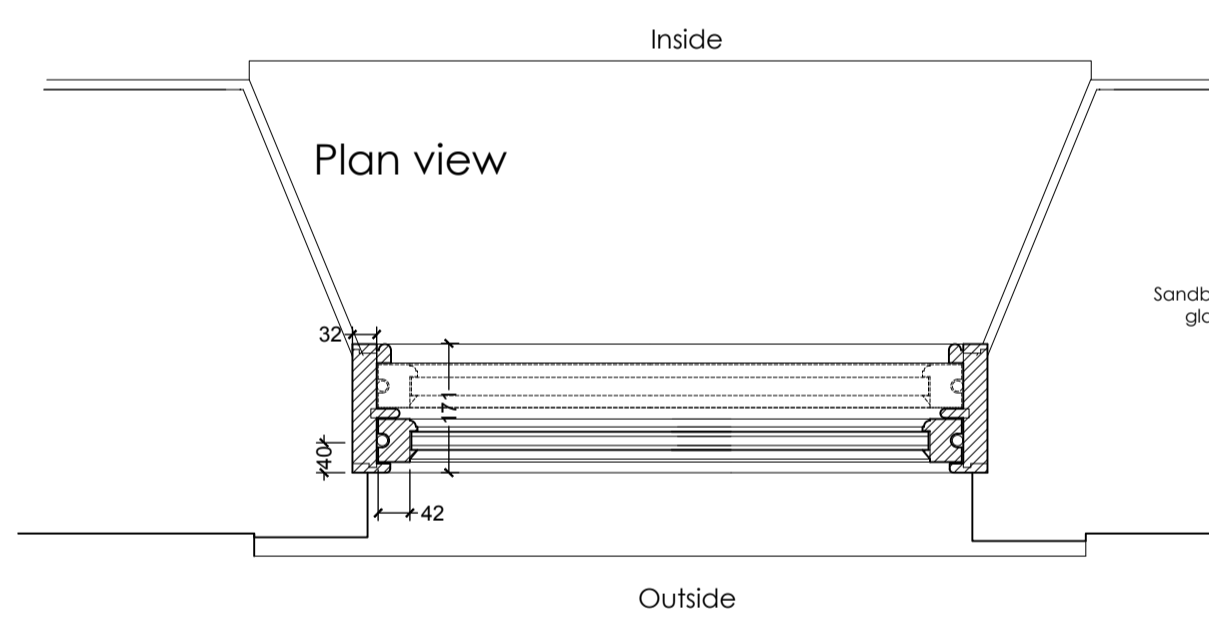


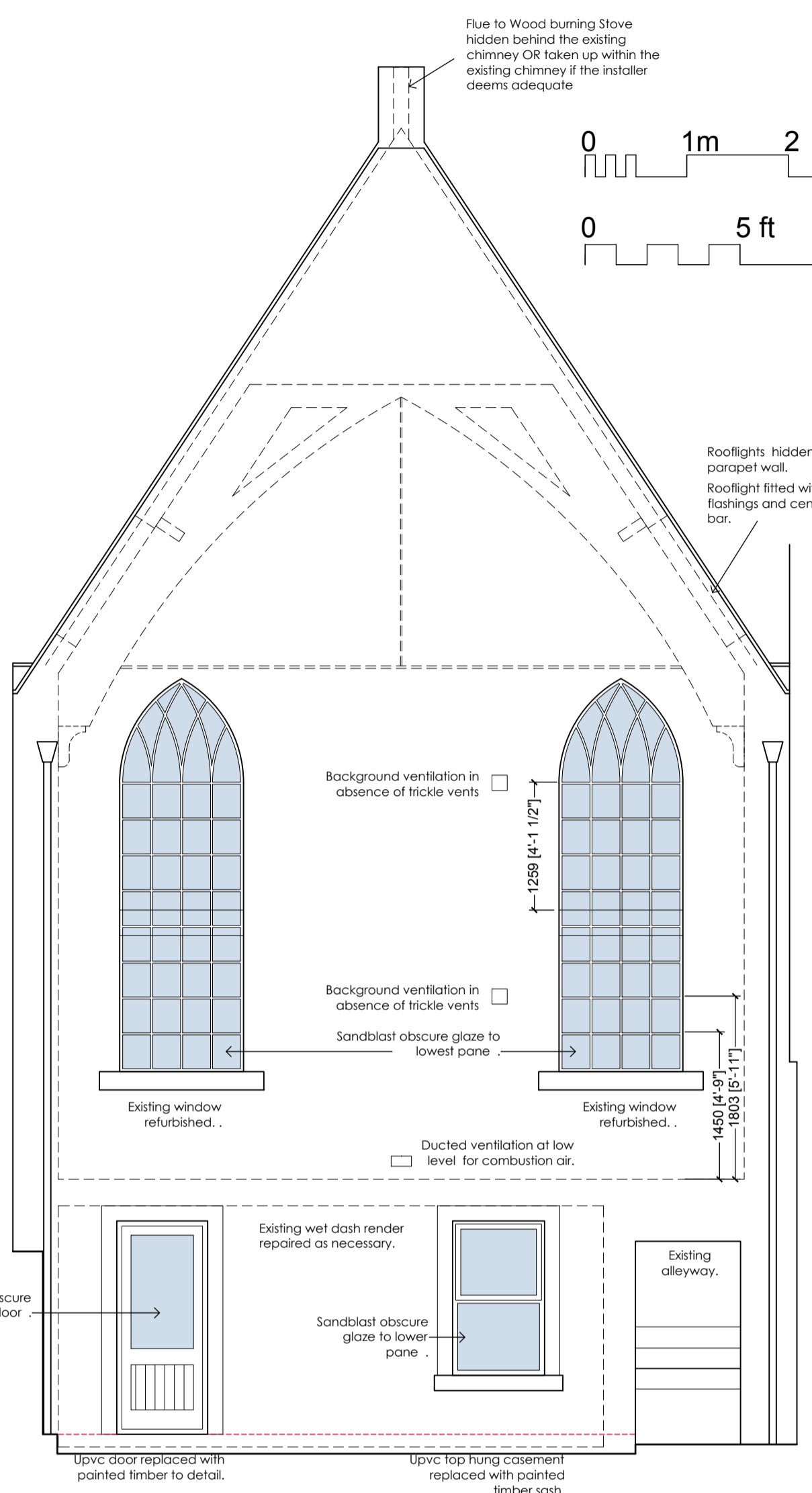
RV	DATE	COMMENTS
A	14 July 2021	Add Window Detail
B	23 Sept 21	Add obscure glaze to the rear elevation
C	1 Nov 2021	Rooflights noted with glazing bar and recessed flashings
-	-	-



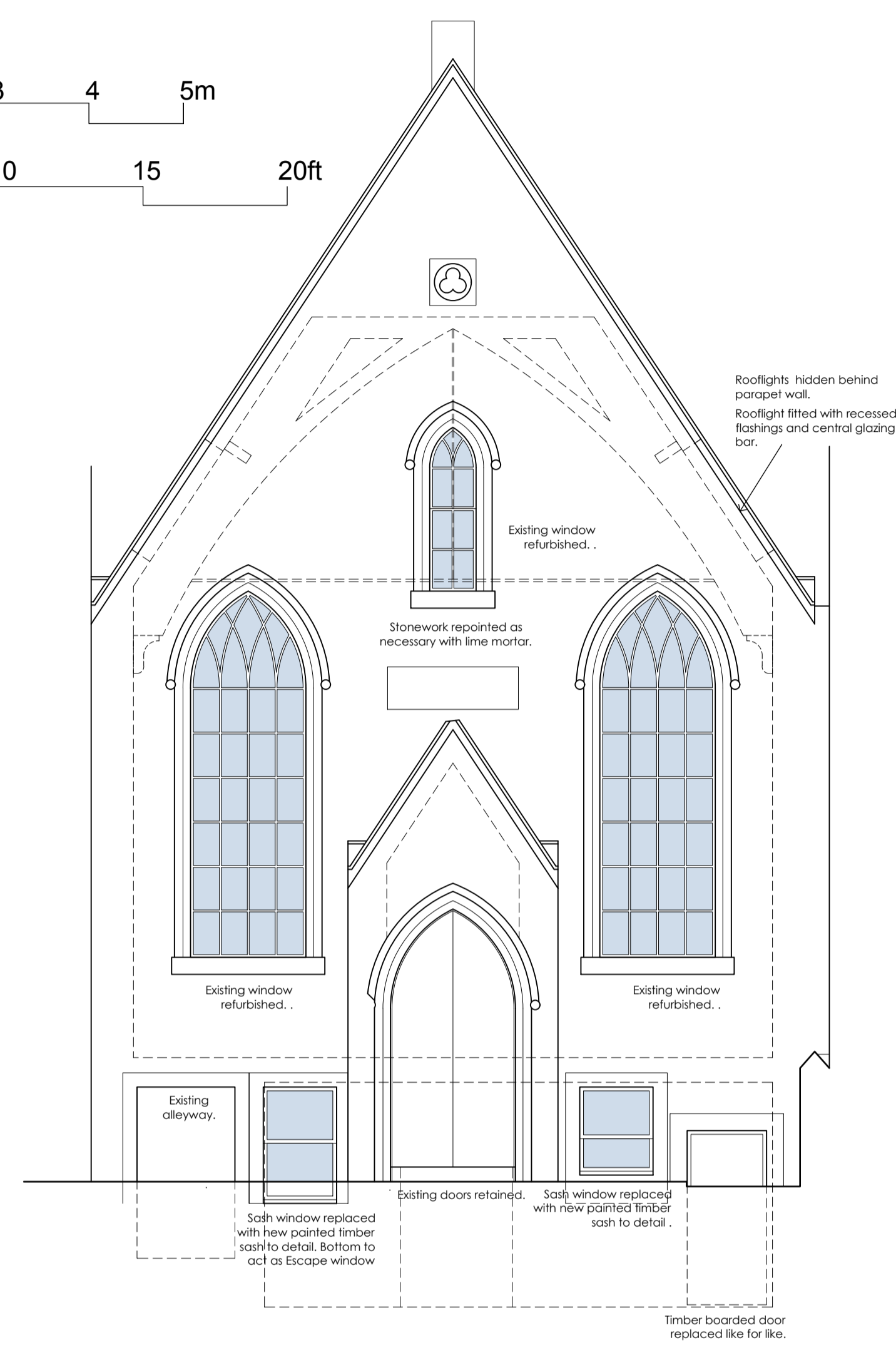
Section from South



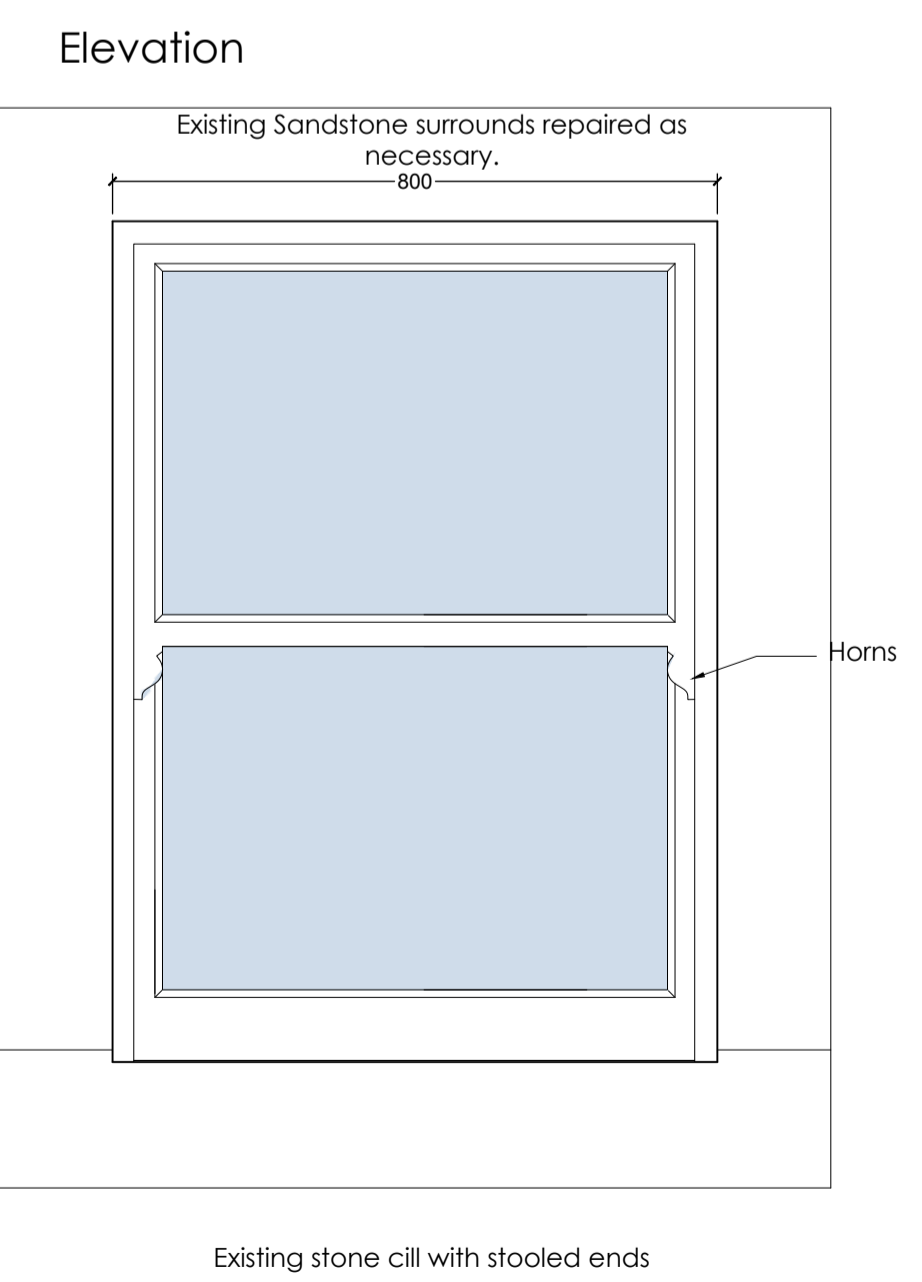
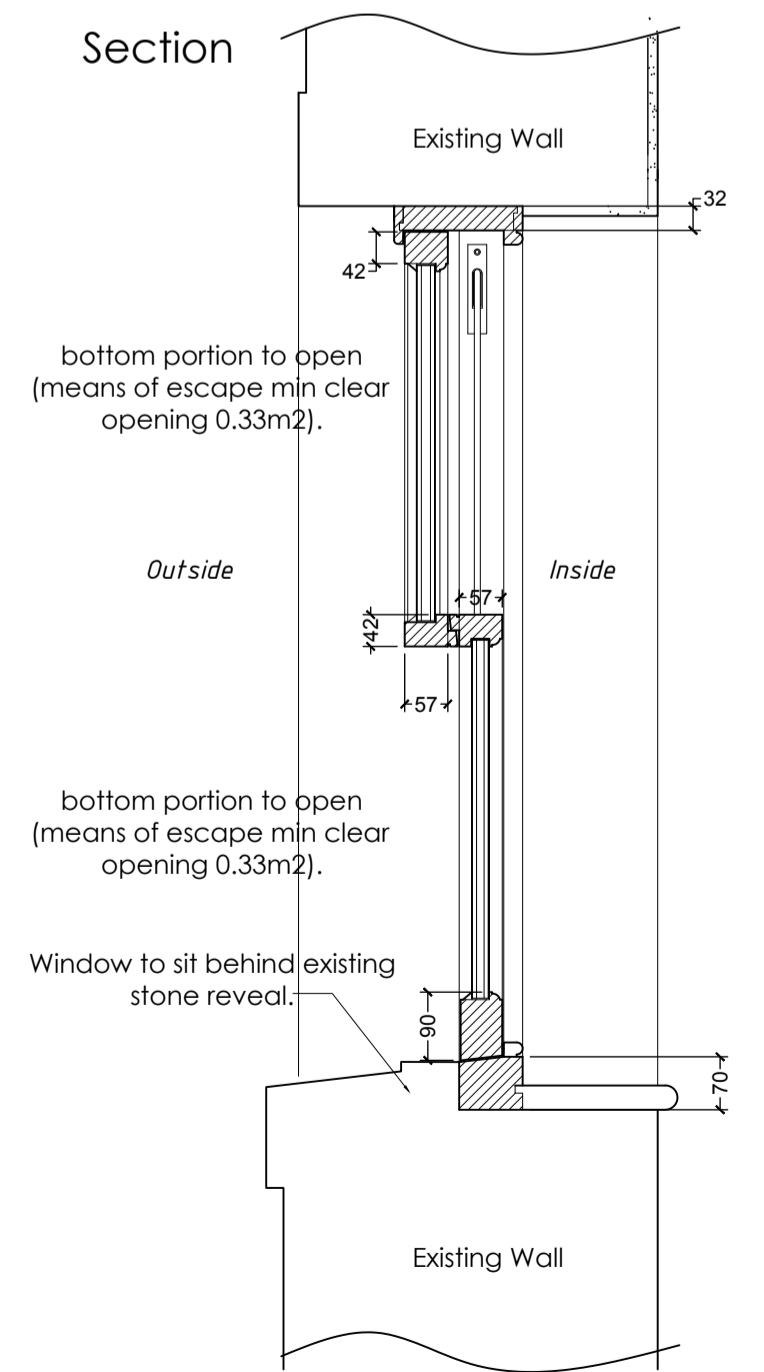
Plan view



Rear (W) Elevation



Front (E) Elevation



Typical Sliding Sash Window Detail as indicated  
Painted double glazed unit  
1:10 scale

PROPOSED ELEVATIONS  
SECTION AND WINDOW DETAIL

FORMER METHODIST CHAPEL  
ST BEES  
DAVE AND LAURA NELSON

DRAWING NO.: 21.13.07c  
SCALE: As Noted@A1  
DRAWN BY: CW  
DATE: MAY 2021



43 The Mount | Papcastle | Cockerburn | Cumbria | CA13 0JZ  
studio@wkdesignarchitects.co.uk | www.wkdesignarchitects.co.uk  
Carolyn Williamson 07773 329572 | Paul Kitchen 07968 094847