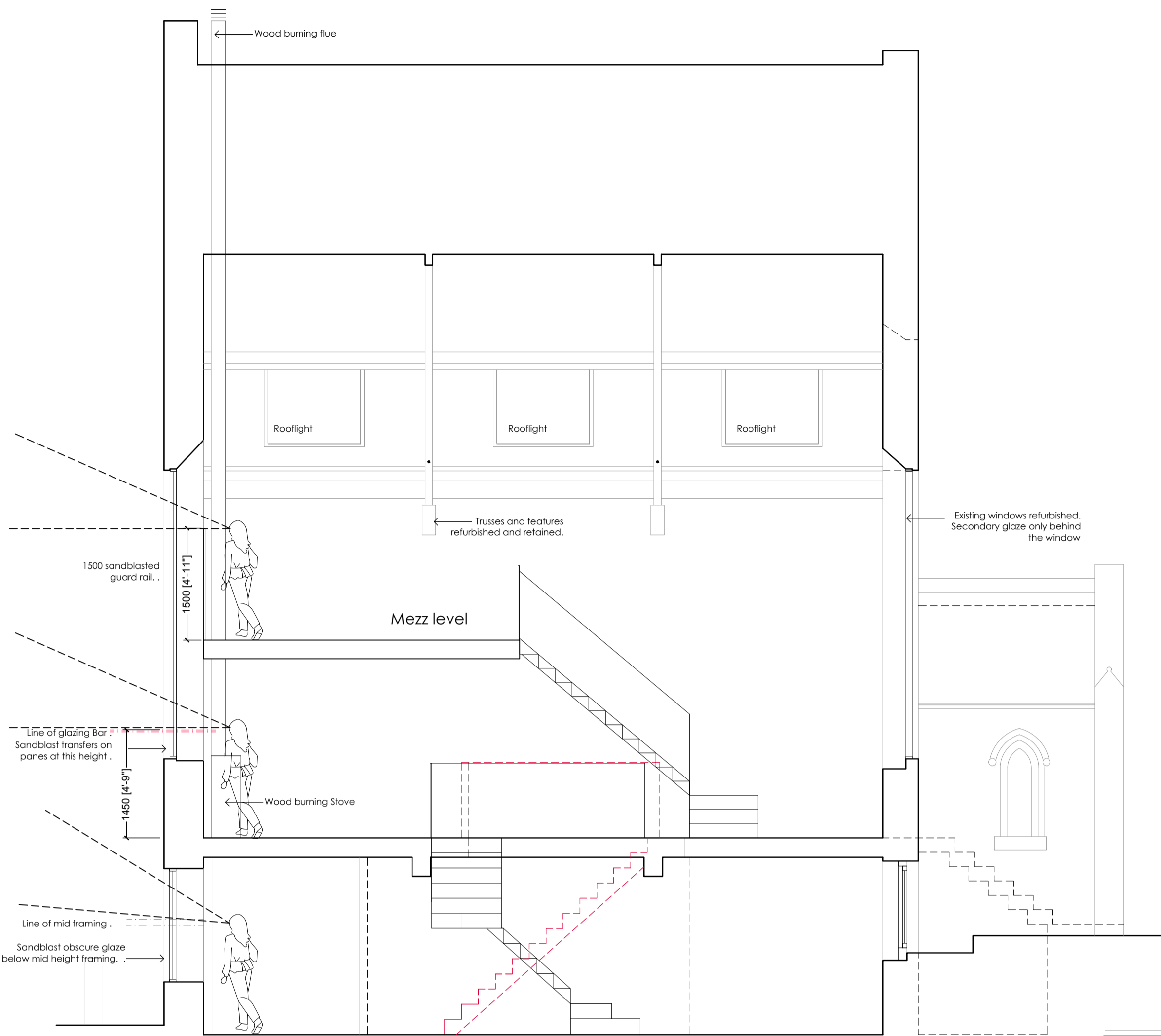
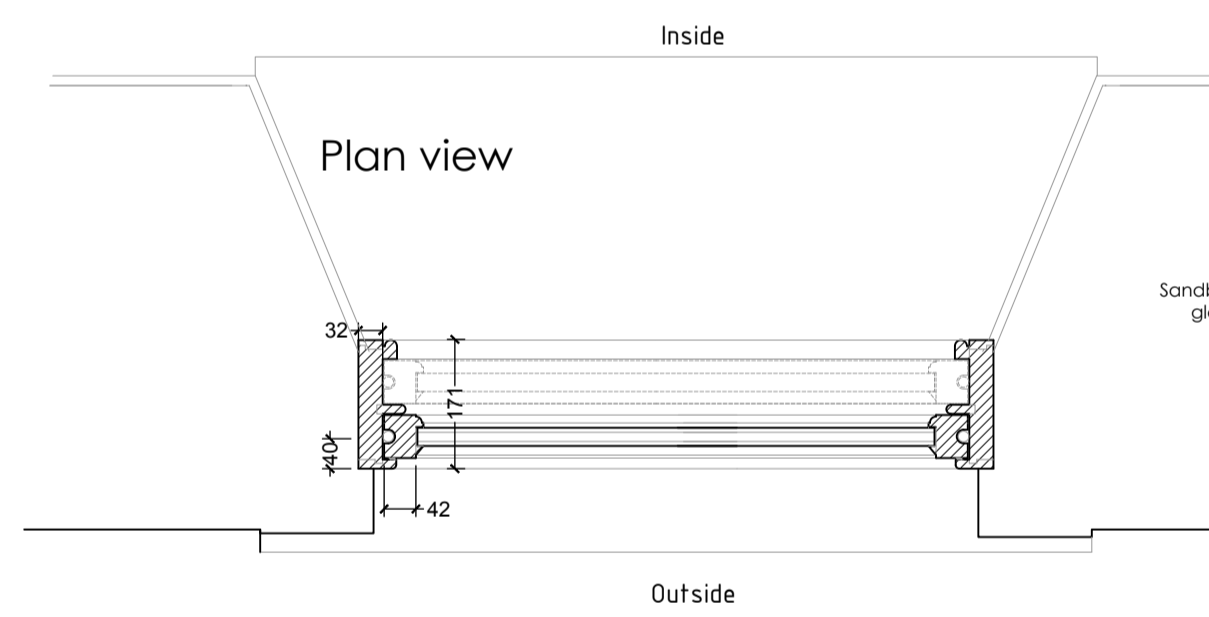


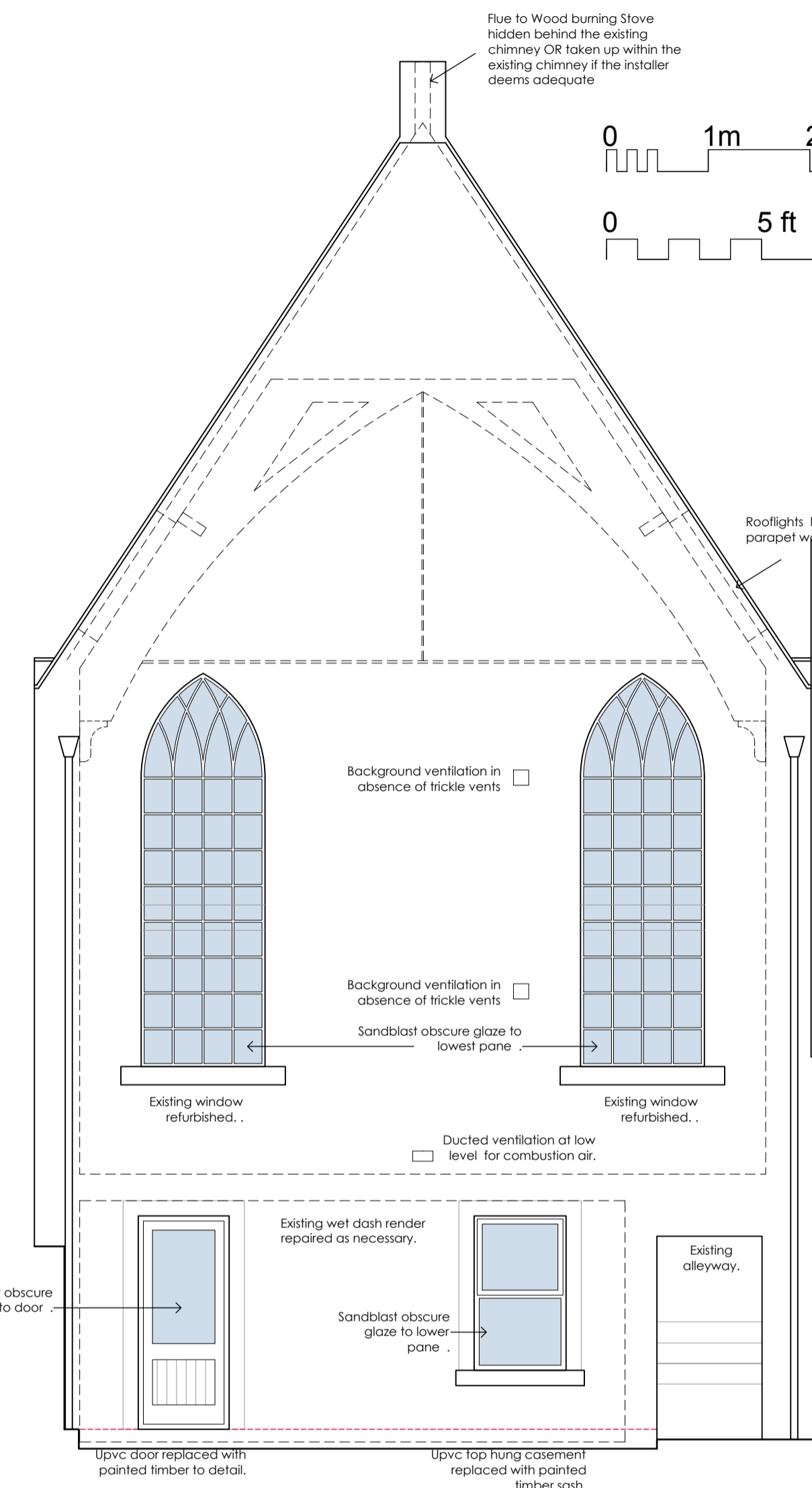
RV	DATE	COMMENTS
A	14 July 2021	Add Window Detail
B	23 Sept 21	Add obscure glaze to the rear elevation
-	-	-
-	-	-



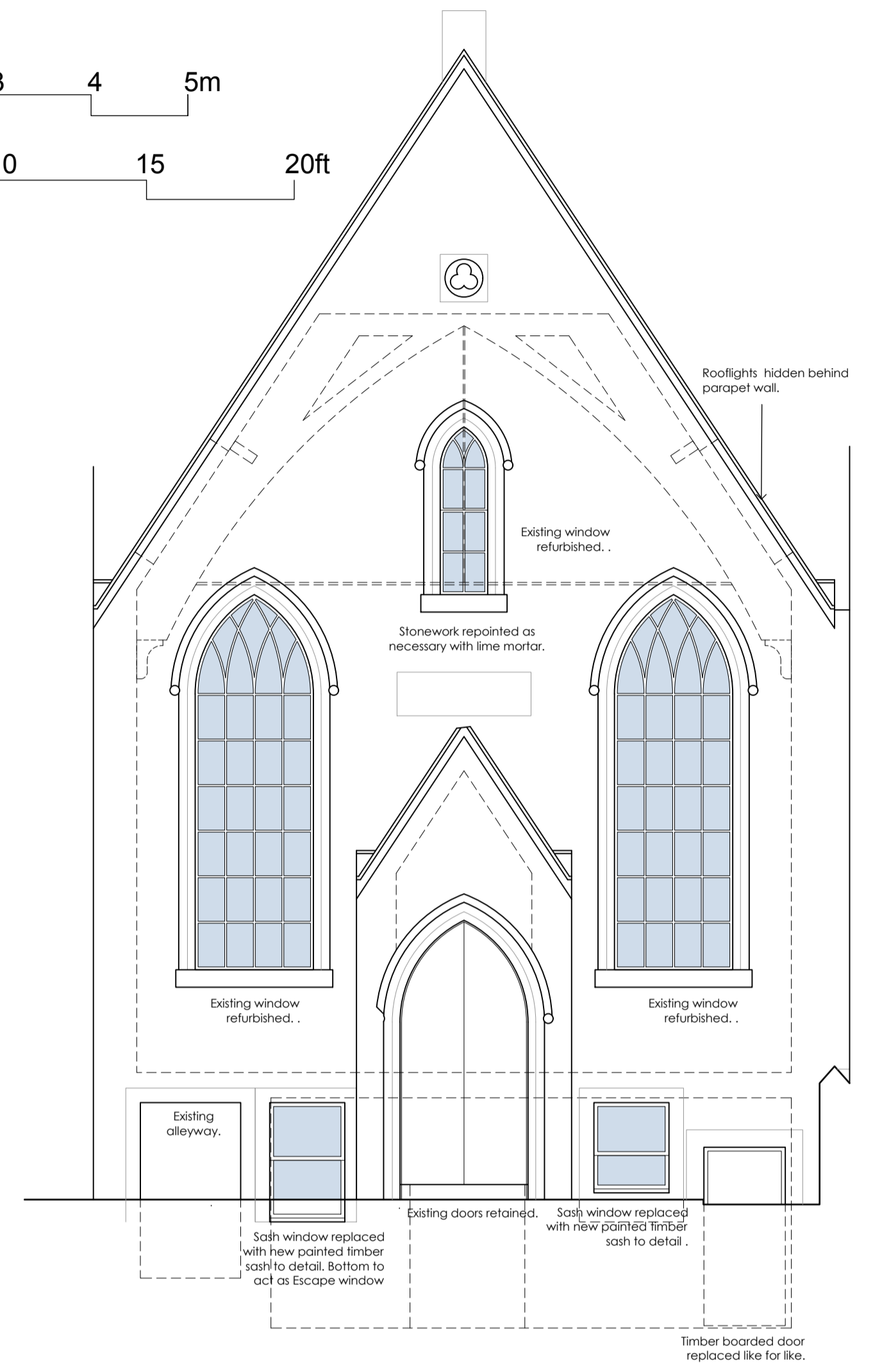
Section from South



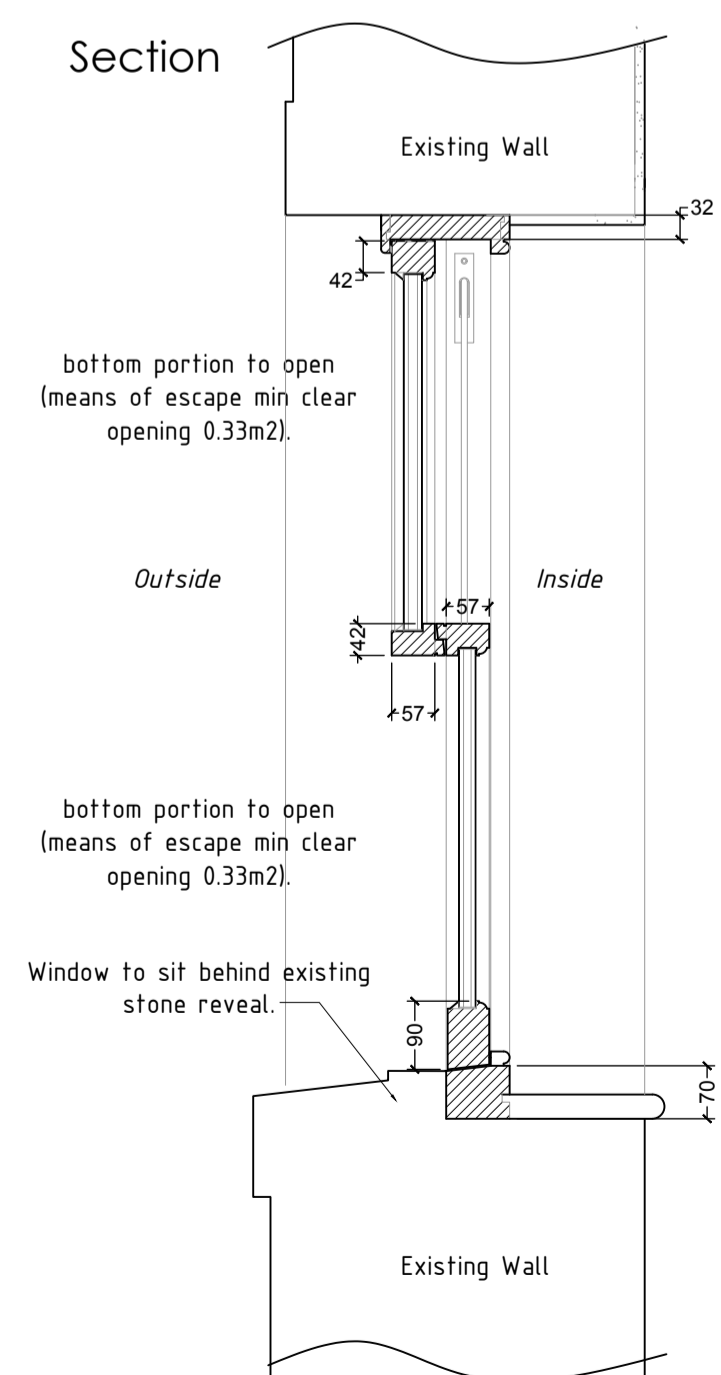
Plan view



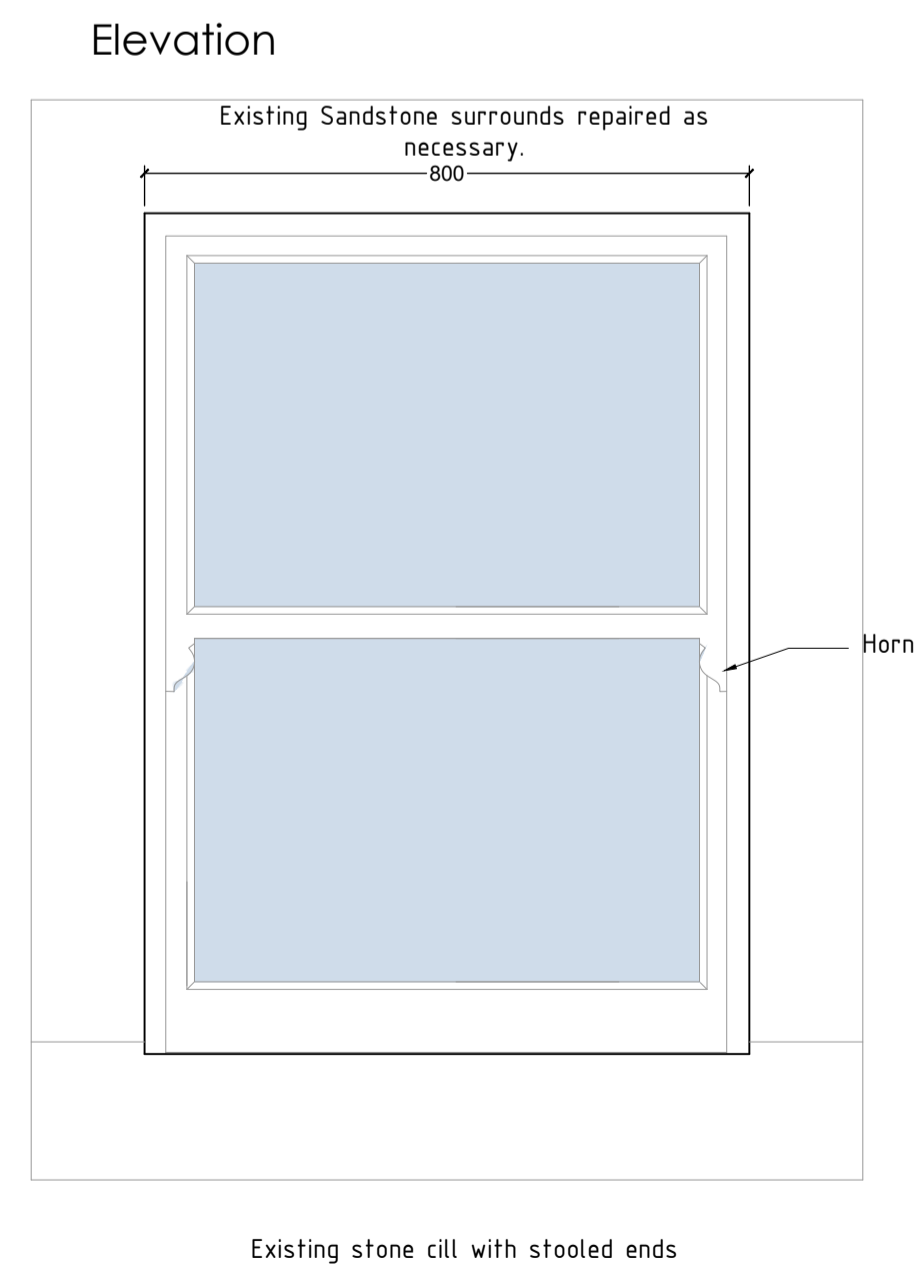
Rear (W) Elevation



Front (E) Elevation



Typical Sliding Sash Window Detail as indicated
Painted double glazed unit
1:10 scale



Elevation

PROPOSED ELEVATIONS
SECTION AND WINDOW DETAIL

FORMER METHODIST CHAPEL
ST BEES
DAVE AND LAURA NELSON

DRAWING NO.: 21.13.07b
SCALE: As Noted@A1
DRAWN BY: CW
DATE: MAY 2021



43 The Mount | Papcastle | Cockermouth | Cumbria | CA13 0JZ
studio@wkdesignarchitects.co.uk | www.wkdesignarchitects.co.uk
Carolyn Williamson 07773 329572 | Paul Kitchin 07968 094847