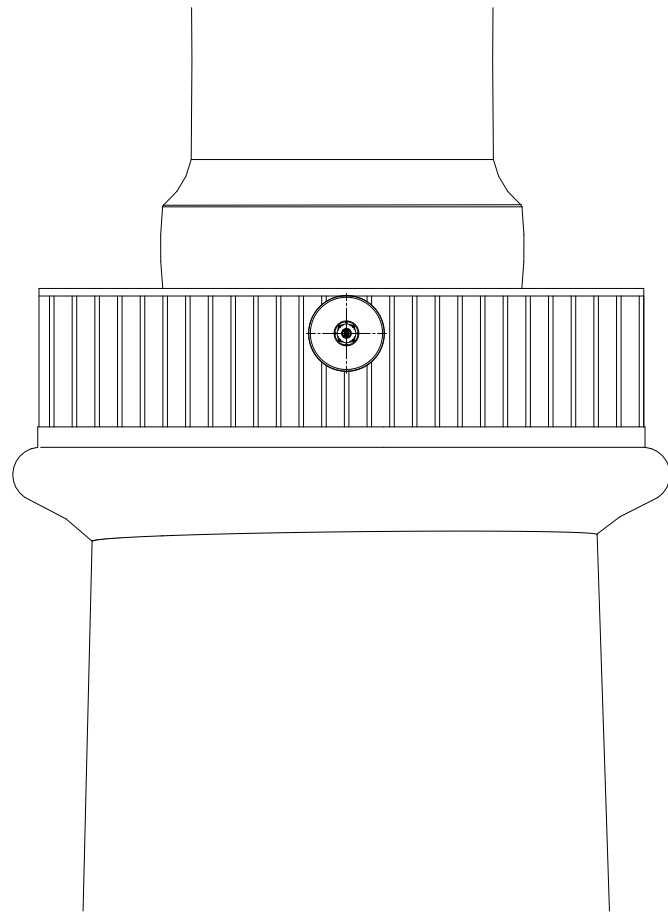
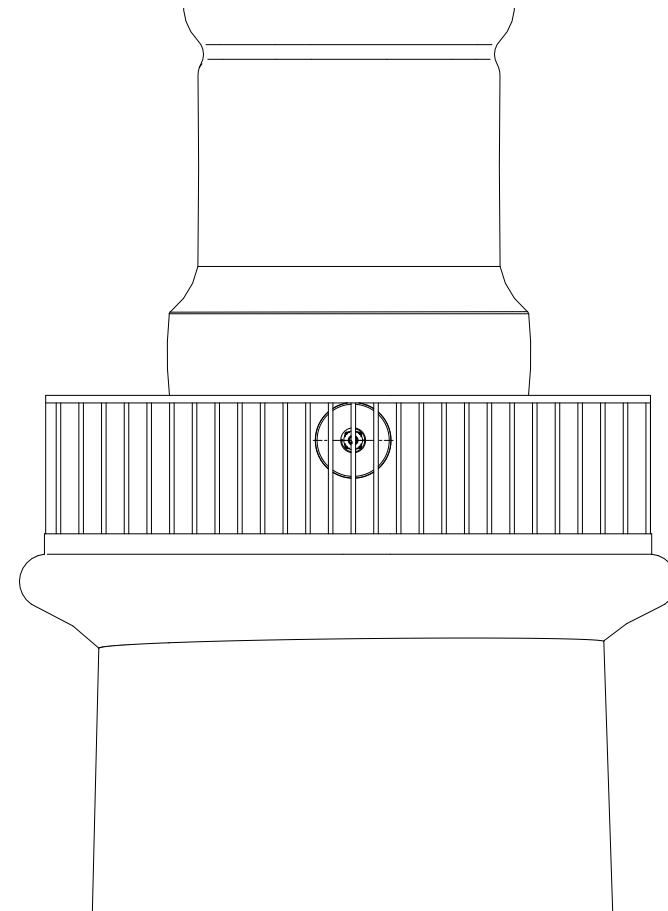


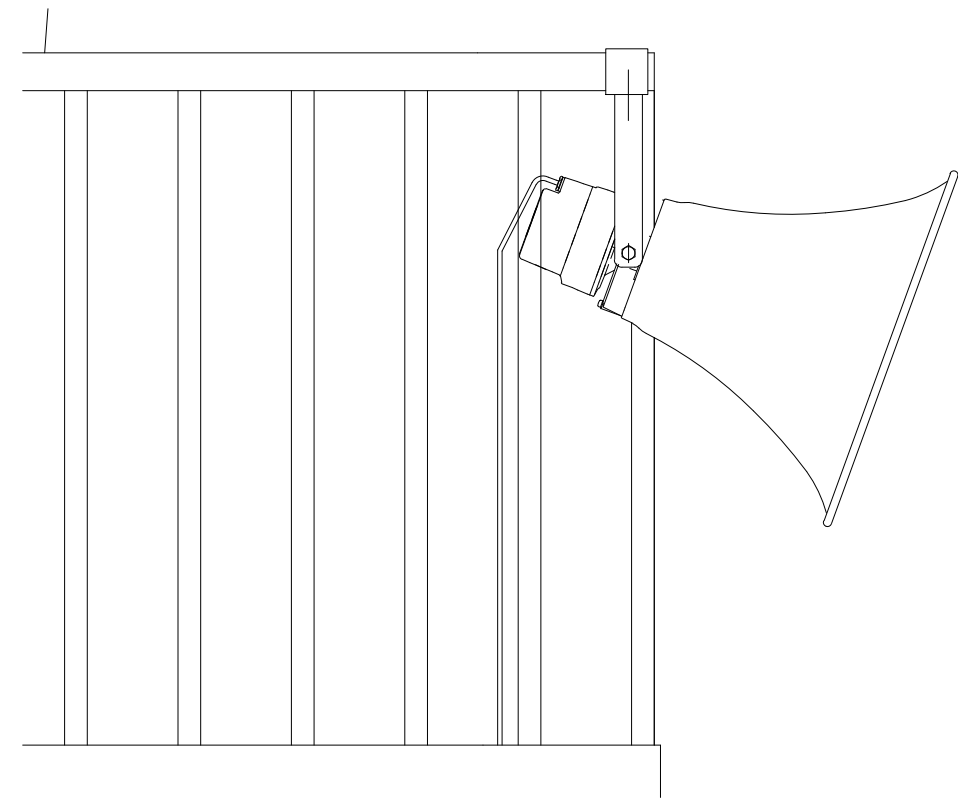
01-1. West Pier Lighthouse 1 : 100



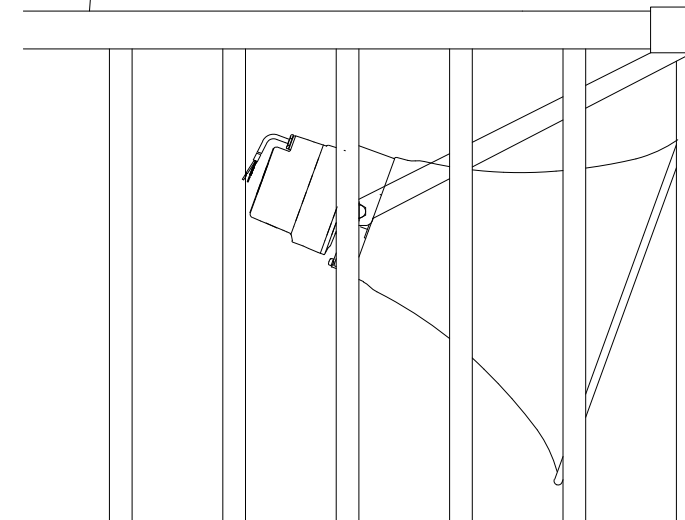
01-2. Handrail detail - speaker in front 1 : 50



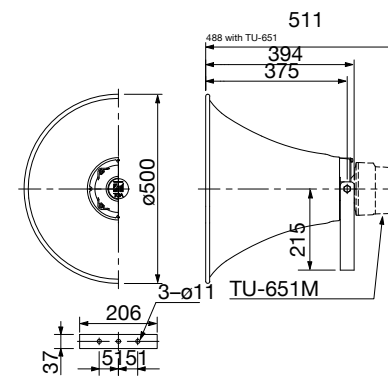
01-2. Handrail detail - speaker behind 1 : 50



01-3. Speaker clamped to handrail - front 1 : 10



01-4. Speaker clamped to handrail - back 1 : 10



01-5. Speaker detail 1 : 20

Notes

Revisions

- A - 25 10 21
cable to speaker;
kit room
- B - 22 11 21
option of speaker behind
handrail

Scale Bar



Client

Aldo Rinaldi

Project

Deep Time
Whitehaven Lighthouses

Drawing Title

West Pier Lighthouse

Drawing n Rev

001 B

Project n Status

054

Drawn by Checked by

FR FR

Scale Date

1 : 100 @ A3 12/10/2021

1 : 50 @ A1